

**WATERCO**

water, the liquid of life

[www.waterco.com](http://www.waterco.com)

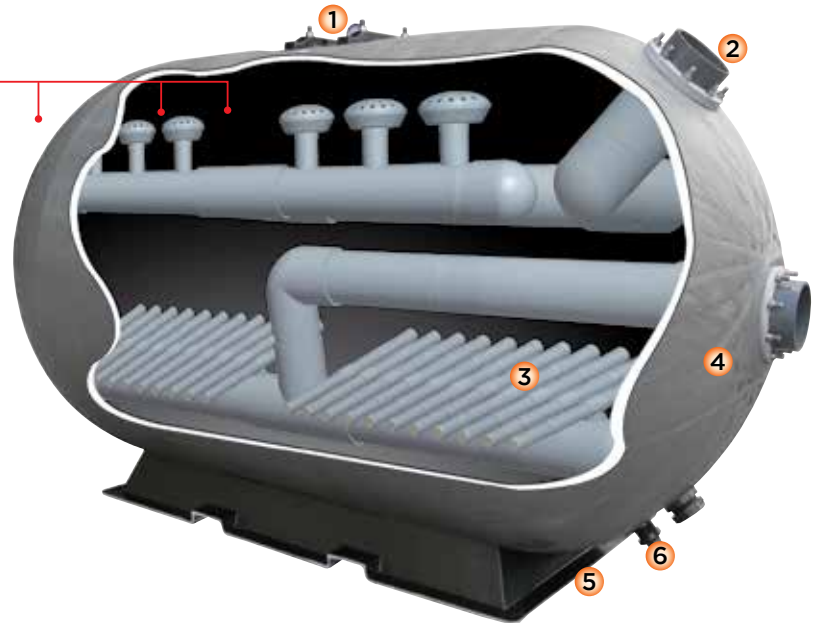
# Micron Horizontal Fibreglass Filter



The Micron Horizontal Filter is a space-saving high performer; its compact horizontal design allows installation with minimum waste of space. The shape of the Micron horizontal filter is both attractive and functional. The spherical ends are designed to give uniform flow from both inlet and outlet collection assemblies. Micron Horizontal filters are available with a 500mm (M) filter media bed and a 1200mm (MD) filter media bed.

Micron Horizontal filters include hydraulically efficient distribution manifolds, ensuring balanced circulation and filtration.

- 1 Elliptical positive sealing manways.
- 2 Flanged port of up to 10".
- 3 Hydraulically balanced distribution and lateral system.
- 4 Fibreglass wound tank, UV and corrosion resistant.
- 5 Large stable filter base for stable floor mounting.
- 6 Manual drain.



## Rusky Island Desalination plant in Eastern Russia



Waterco was awarded the contract to provide 12 Micron MD10000 horizontal filters. These 7-bar rated filters are made using the latest in fibreglass winding technology and use the highest grade of non-corrosive materials.



10,000 m<sup>3</sup>/d seawater reverse-osismosis (SWRO) desalination plant to support the drinking and process needs of local residents and the new Far Eastern Federal University.

## \$2M Ground Water Treatment Plant in Victoria



Waterco helps in pre-filtration system of drought-proof ground water treatment plant in Wangaratta, Victoria. To deliver high-quality filtered drinking water free from unwanted taste and odours, Filtec installed Waterco's MPD10,000 Commercial Fibreglass Nozzle Plate Media Filter.



## Optional Extras



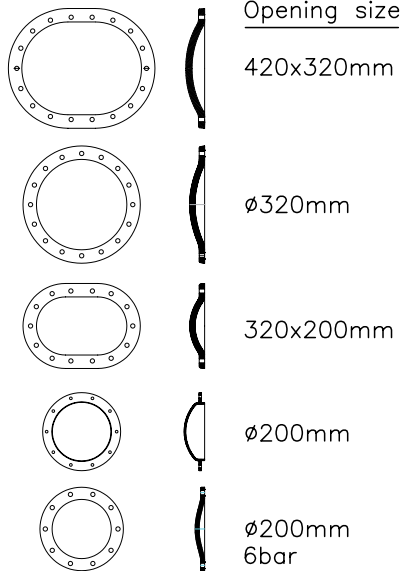
### Micron Side Mount Deep Bed Optional Extras

Waterco Micron Side Mount Deep Bed Commercial filters are now available with the option of:

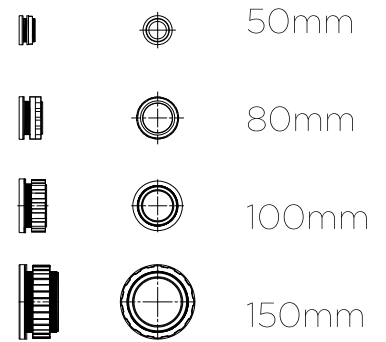
1. 50mm, 80mm, 100mm or 150mm sight glasses.
2. 200mm, 320mm to 420mm x 320mm lateral manholes.
3. Fibreglass reinforced vinyl ester for improved resistance.
4. Extra reinforcement to increase the working pressure rating to 600 kPa (87psi) and 800 kPa (116 psi).

**AS1210 (BSEN13121) construction standard**  
**AS4020 drinking water standard (SPDD and MPD series only)**  
**Vinyl Ester lining**

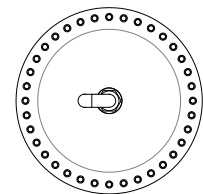
Side hatch / Lateral manhole cover



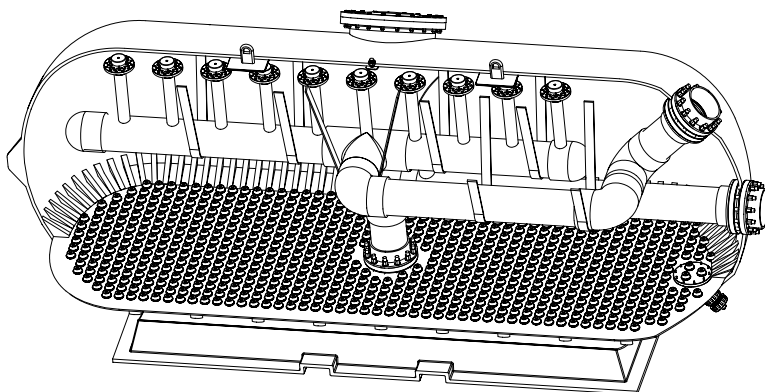
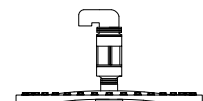
Sight Glass



Top manhole 600mm with 2" ARV



**Additional custom ports available**



Waterco manufactures horizontal nozzle plate filters with up to 10m<sup>2</sup> filter area and 1,200mm filter media bed depth - the largest fibreglass filter to receive AS/NZS 4020:2005 certification from the Australian Water Quality Centre.

## Specifications

Filter Model	Port Size	Bed Depth	Inner Diameter	Maximum Filter Area	Filtration Flows Rates*		Backwash Flows Rates*		Media Volume	Sub-Lateral Gravel	Sand
					30m <sup>3</sup> /hr/m <sup>2</sup>	36m <sup>3</sup> /hr/m <sup>2</sup>	40m <sup>3</sup> /hr/m <sup>2</sup>	50m <sup>3</sup> /hr/m <sup>2</sup>			
					m <sup>3</sup> /hr		m <sup>3</sup> /hr				
mm	mm	mm	m <sup>2</sup>								
M2500	100	500	1260	2.50	75	90	100	125	1452	435	1685
M3750	150	500	1260	3.75	113	135	150	188	2370	691	2769
M5000	150	500	1260	5.00	150	180	200	#250	3192	1064	3596
MD5000	150	1200	2000	5.00	150	180	200	#250	5788	774	7676
MD5500	150	1200	2000	5.50	165	198	#220	#275	6356	847	8433
MD5500	150	1200	2000	5.50	165	198	220	275	6356	847	8433
MD6500	200	1200	2000	6.50	195	234	260	325	7548	1066	9954
MD8000	200	1200	2000	8.00	240	288	320	400	9795	1401	12898
MD10000	250	1200	2000	10.00	300	360	400	500	12116	1964	15726
MDD10000	250	1200	2200	11.44	343	412	458	572	15000	3504	18396
MPD5000	150	1200	2000	5.00	150	180	200	#250	5377	-	7676
MPD5500	200	1200	2000	5.50	165	198	220	275	5890	-	8433
MPD6500	200	1200	2000	6.50	195	234	260	325	7055	-	9954
MPD80000	200	1200	2000	8.00	240	288	320	400	8699	-	12898
MPD10000	250	1200	2000	10.00	300	360	400	500	10959	-	15726

\*Filtration and backwash flow rates are worked based on maximum filter area.

# Exceed recommended maximum flow rates

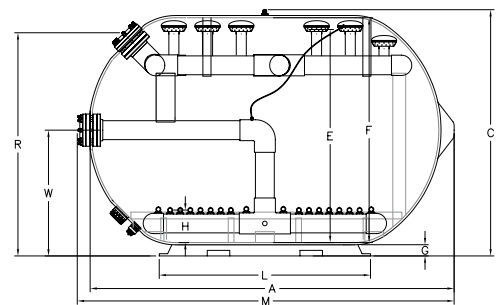
\* Recommended maximum flow rates for port size: 100mm/110mm(EU), 1800 lpm, 108m<sup>3</sup>/hr 150mm/160mm(EU), 3420 lpm, 205.2m<sup>3</sup>/hr  
200mm/200mm(EU), 6720 lpm, 403.2m<sup>3</sup>/hr 250mm/280mm(EU), 8930 lpm, 535.8m<sup>3</sup>/hr

## Dimension (mm) - M and MD Series

Model	Port Size	A	C	W	R	L	E	F	G	H	M
M2500	100	2245	1620	740	1300	1400	1005	1260	150	255	2327
M3750	150	3230	1620	740	1300	2520	1005	1260	150	255	3312
M5000	150	4220	1620	740	1300	3570	945	1260	150	275	4301
MD5000	150	2920	2190	1120	1988	1630	1889	2000	230	289	3026
MD5500	150	3252	2190	1120	1988	1880	1889	2000	230	289	3330
MD5500	200	3122	2190	1120	1988	1880	1840	2000	230	240	3330
MD6500	200	3765	2190	1120	2020	2405	1890	2000	230	290	3890
MD8000	200	4516	2190	1120	2020	3155	1890	2000	230	290	4640
MD10000	250	5500	2190	1150	2050	4055	1890	2000	230	330	5650
MDD10000	250	5685	2400	1255	2204	4055	2030	2200	274	430	5840

All figure tolerance 1%  
Subject to modification

Horizontal deep bed filter - M & MD series

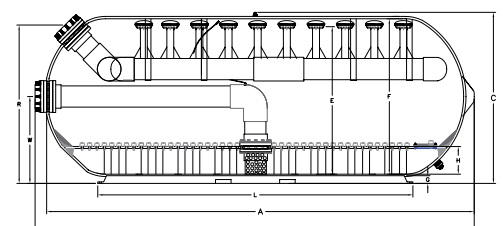


## Dimension (mm) - MPD Series

Model	Port Size	A	C	W	R	L	E	F	G	H	M
MPD5000	150	2920	2190	1120	1988	1630	1889	2000	230	289	3026
MPD5500	200	3122	2190	1120	1988	1880	1840	2000	230	290	3330
MPD6500	200	3765	2190	1120	2020	2405	1890	2000	230	290	3890
MPD8000	200	4516	2190	1120	2020	3155	1890	2000	230	290	4640
MPD10000	250	5500	2190	1150	2050	4055	1890	2000	230	330	5650

All figure tolerance 1%  
Subject to modification

Horizontal deep bed filter - MPD series



### OFFICES - AUSTRALIA

NSW - Sydney (Head Office)  
Tel: +61 2 9898 8600  
QLD - Brisbane  
Tel: +61 7 3299 9900  
VIC/TAS - Melbourne  
Tel: +61 3 9764 1211  
WA - Perth  
Tel: +61 8 9273 1900  
SA/NT - Adelaide  
Tel: +61 8 8244 6000  
ACT Distribution  
Tel: +61 2 6280 6476

### OFFICES - OVERSEAS

Waterco (Europe) Limited  
Sittingbourne, Kent, UK  
Tel: +44 (0) 1795 521 733  
Waterco (USA) Inc  
Augusta, Georgia, USA  
Tel: +1 706 793 7291  
Waterco Canada  
Boucherville, Quebec, Canada  
Tel: +1 450 748 1421  
Waterco (NZ) Limited  
Auckland, New Zealand  
Tel: +64 9 525 7570

Waterco (C) Limited  
Guangzhou, China  
Tel: +86 20 3222 2180

Waterco (Far East) Sdn Bhd  
Selangor, Malaysia  
Tel: +60 3 6145 6000  
PT Waterco Indonesia  
Jakarta, Indonesia  
Tel: +62 21 4585 1481

Waterco Singapore Intl Pte Ltd  
Nehsons Building, Singapore  
Tel: +65 6344 2378

DISTRIBUTED BY:

**WATERCO**  
water, the liquid of life



02/60 966177Z