

# LIGHT IN WEIGHT, SUPERIOR IN STRENGTH

EXOTUF & EXOTUF PLUS THERMOPLASTIC FILTER



# EXOTUF



Multiport valve with ergonomic handle and quick connect barrel unions

Clear sight glass for backwash inspection

Pressure gauge to determine the filter's capacity

Multiport valve clamp provides 360° orientation of the Multiport valve for simple installation and service

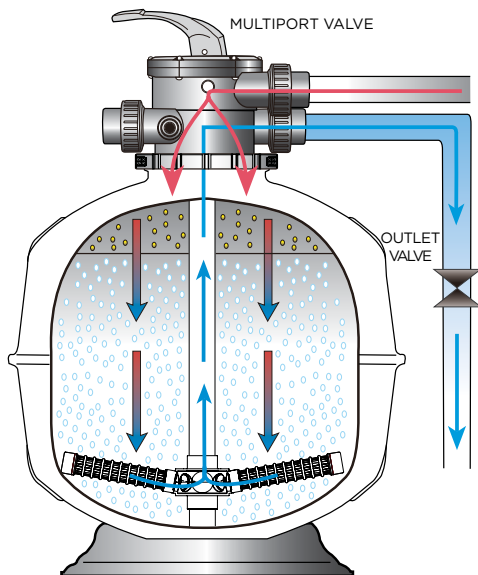
UV and corrosion resistant

Hydraulically balanced flow distribution, to maximise filtration and backwashing

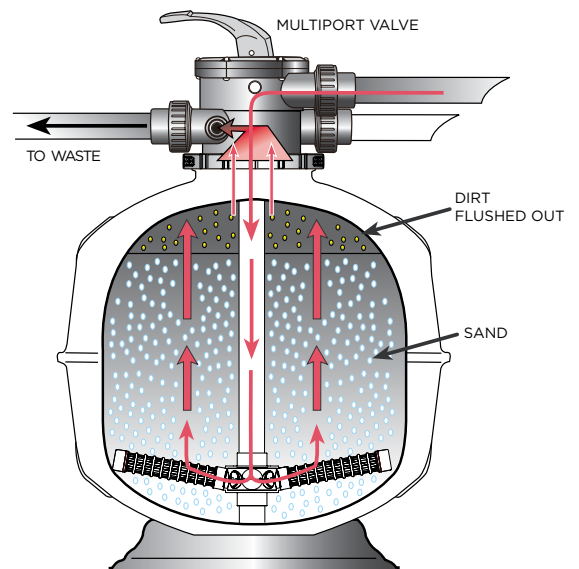
Large filter base for stable floor mounting

*Maximum working temperature of 50°C*

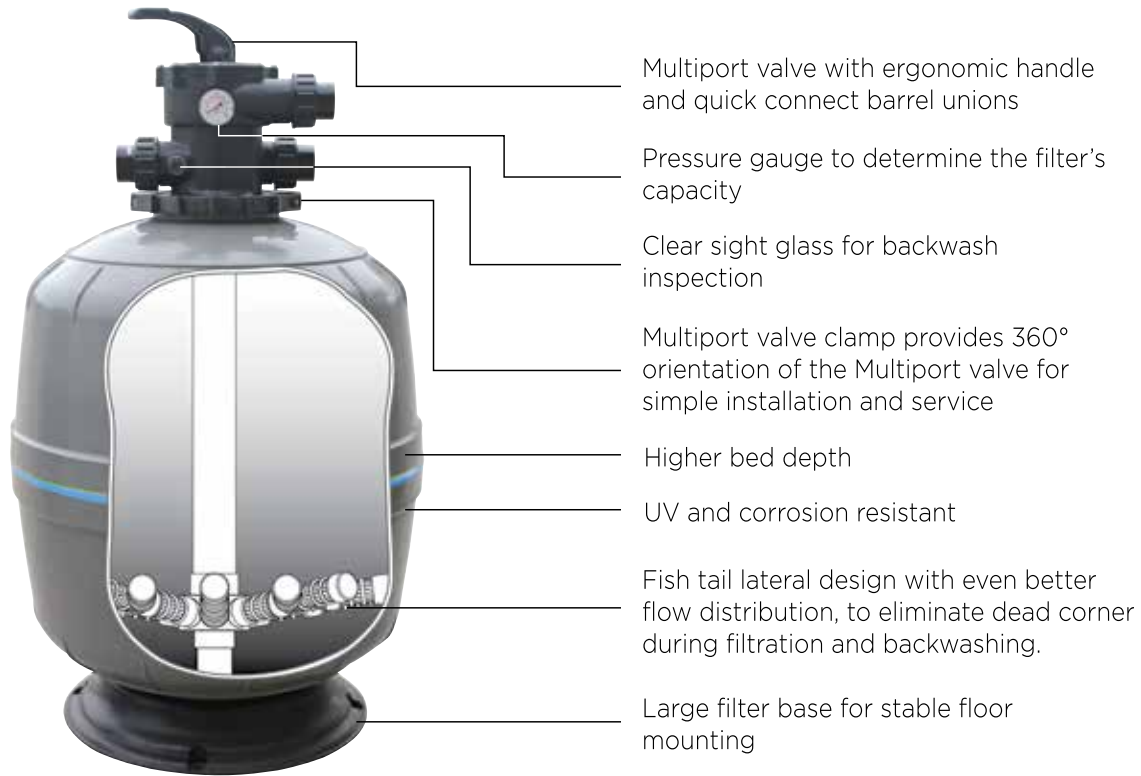
## Filter Mode



## Backwash Mode

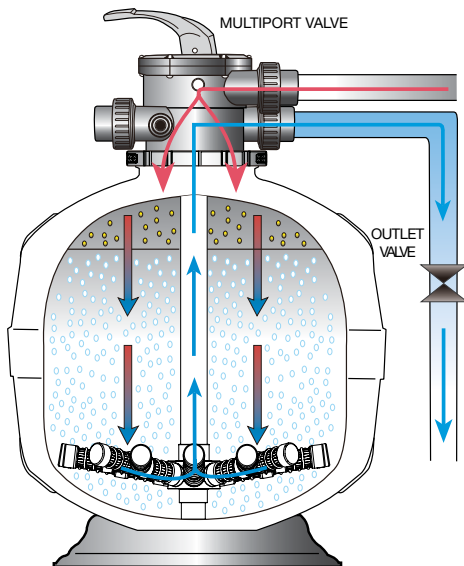


# EXOTUF PLUS

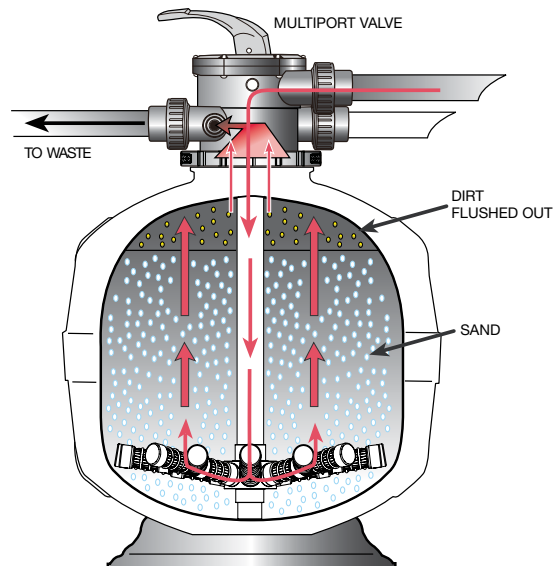


Maximum working temperature of 50°C

## Filter Mode



## Backwash Mode





# Exotuf Thermoplastic filter - E400, E500, E600



Designed to cope with the cyclic pressures of the modern day swimming pool, Exotuf filter vessels are moulded with precise injection for superior strength and dependability.

Exotuf filters are ideal for pools equipped with in floor cleaning systems and high powered pumps.

- Granular media filtration
- Multiport valve for ease of use
- Pressure rated at 250kPa (E600 350kPa)
- Corrosion and UV resistant

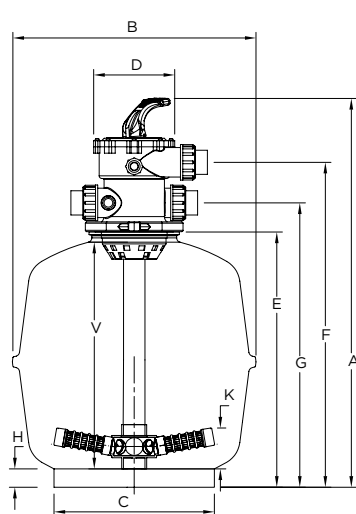
## Specifications

Filter Model	Valve Size	Inner Diameter	Filter Area	Bed Depth	Filtration Flow Rates	Max Flow	Media Volume	Glass Pearls	Ecopure Glass	Sand 16/30	Zeoplus 0.6-1.2mm
	mm	mm	m <sup>2</sup>	mm	lpm	lpm	L	kg	kg	kg	kg
E400	40	400	0.13	160	78	104	27	43	36	39	32
E500	40	500	0.20	250	120	160	62	100	82	91	74
E600	40	600	0.28	250	168	224	89	143	118	130	107

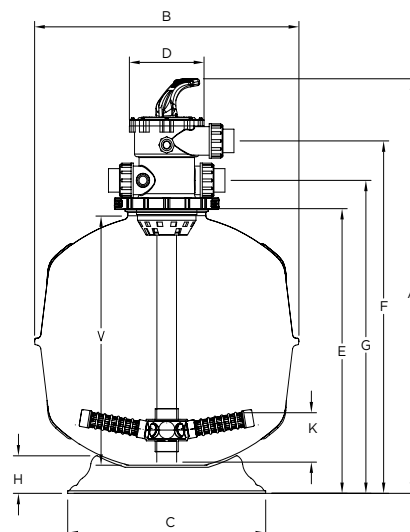
Filtration flow rate is based on 36m<sup>3</sup>/hr/m<sup>2</sup>; Max flow rate is based on a velocity of 48m<sup>3</sup>/hr/m<sup>2</sup>

## Dimensions (mm)

Model	Valve Size	A	B	C	D	E	F	G	H	V	K
E400	40	822	460	280	182	535	679	588	34	480	89
E500	40	905	550	484	182	618	762	671	88	522	108
E600	40	942	650	484	182	655	799	708	88	560	115



E400



E600

# Exotuf PLUS Thermoplastic filter – Higher Bed Depth with Fish Tail Laterals



The Exotuf Plus media filters are designed to cope with the cyclic pressures of the modern day swimming pool and feature hydraulically efficient fish tail lateral systems to facilitate energy and water savings.

- Water savings of up to 30%
- Ideal for low powered and energy efficient pumps
- Multiport valve clamp provides 360° orientation of the multiport valve for simple installation and service
- Hydraulically balanced flow distribution, to maximise filtration and backwashing
- Pressure rated at 350kPa
- Corrosion and UV resistant

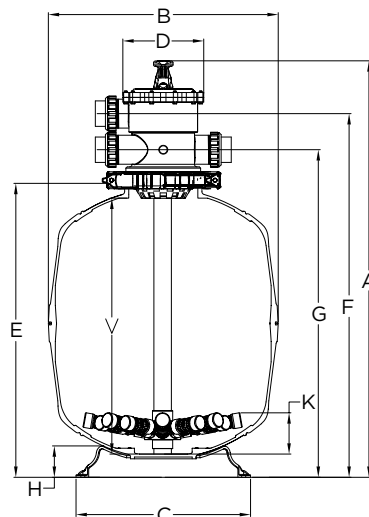
## Specifications

Filter Model	Valve Size	Inner Diameter	Filter Area	Bed Depth	Filtration Flow Rates	Max Flow	Media Volume	Glass Pearls	Ecopure Glass	Sand 16/30	Zeoplus 0.6-1.2mm
	mm	mm	m <sup>2</sup>	mm	lpm	lpm	L	kg	kg	kg	kg
E500 Plus	40	500	0.20	330	120	160	75	121	100	110	90
E600 Plus	40	600	0.28	360	168	224	120	193	160	175	144
E602 Plus	50	600	0.28	360	168	224	120	193	160	175	144
E702 Plus	50	700	0.38	430	228	304	185	298	246	270	222

Filtration flow rate is based on 36m<sup>3</sup>/hr/m<sup>2</sup> ; Max flow rate is based on a velocity of 48m<sup>3</sup>/hr/m<sup>2</sup>

## Dimensions (mm)

Model	Valve Size	A	B	C	D	E	F	G	H	V	K
E500 Plus	40	1015	552	484	182	729	873	782	88	622	103
E600 Plus	40	1095	635	484	182	809	953	862	88	706	115
E602 Plus	50	1148	635	484	220	824	1002	902	88	706	115
E702 Plus	50	1226	755	620	220	902	1080	980	90	805	145

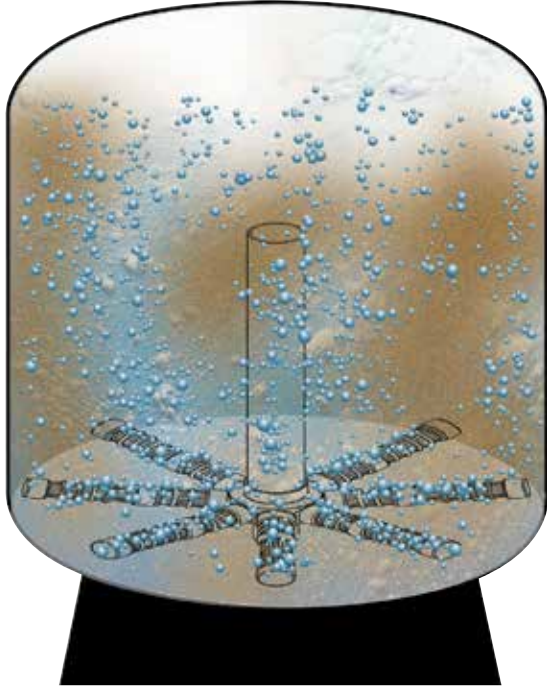


## Water Saving “Fish Tail” laterals

Exotuf Filters are equipped with “Fish Tail” laterals, to improve its filtration and backwashing hydraulic efficiency.

Fish Tail laterals provide effective coverage of the filter bed and balanced water flow, during backwashing.

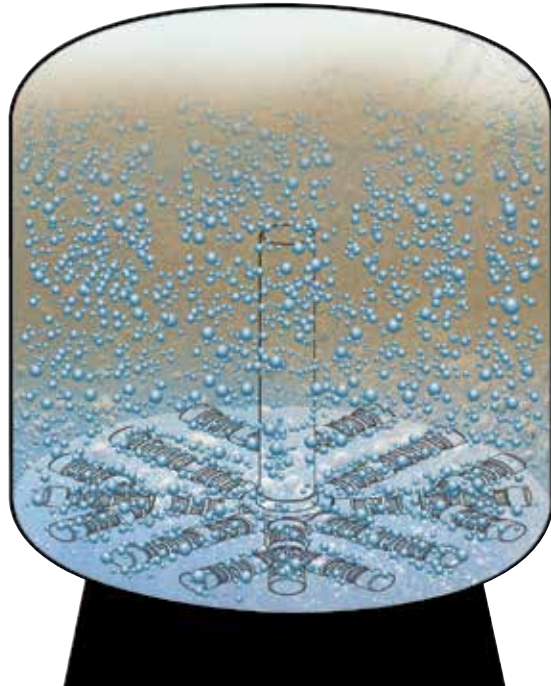
Exotuf Filters backwash time is significantly reduced, leading to a 30% savings of backwash water.



Conventional filter lateral system

## Energy Saving “Fish Tail” laterals

The Exotuf Filters hydraulic efficiency halves the backwash flow rate of a conventional sand filter, allowing the option for low powered, energy efficient pumps for filtration flow and backwash flow.



Exotuf Plus Fish Tail lateral system

## Enhanced Water Clarity

Lowering a filter’s flow rate not only significantly decreases the pump’s energy requirements, but also reduces water flow resistance in your pool equipment and plumbing.

A lower flow rate also has the added benefit of enhancing your pool’s filtration efficiency, greatly enhancing the clarity of your swimming pool water.



## Warranty for Exotuf & Exotuf PLUS Thermoplastic Filter models

Waterco is proud to show its absolute confidence in its range of Exotuf & Exotuf Plus Filters by offering a 10 year (5+5 pro-rata) tank warranty and 1 year warranty on all other components. Commercial applications attract a 1 year tank warranty.

Items	Domestic	Commercial
Tank Body	10 Years	5+5 years pro-rata
All Other Components	1 Year	1 Year

Please refer to Waterco’s warranty terms and conditions

## Company Profile

Waterco pioneers reliable solutions for healthy, safe water environments, which are used in residential, commercial and industrial applications in over 40 countries.

Established in 1981 in Sydney, Australia, it has since become a global brand recognised for designing and manufacturing filtration and sanitisation innovations for the swimming pool, spa, aquaculture, and water purification sectors.



## CONTACT WATERCO

Waterco's head office is situated in Sydney, Australia with international offices, manufacturing plants and warehouses located in Australia, New Zealand, Malaysia, Indonesia, Singapore, China, the US, Canada, and the UK.

### OFFICES - AUSTRALIA

NSW - Sydney (Head Office)  
Tel: +61 2 9898 8600

QLD - Brisbane  
Tel: +61 7 3299 9900

VIC/TAS - Melbourne  
Tel: +61 3 9764 1211

WA - Perth  
Tel: +61 8 9273 1900

SA/NT - Adelaide  
Tel: +61 8 8244 6000

ACT Distribution  
Tel: +61 2 6280 6476

### OFFICES - OVERSEAS

Waterco (Europe) Limited  
Sittingbourne, Kent, UK  
Tel: +44 (0) 1795 521 733

Waterco (USA) Inc  
Augusta, Georgia, USA  
Tel: +1 706 793 7291

Waterco Canada  
Boucherville, Quebec, Canada  
Tel: +1 450 748 1421

Waterco (NZ) Limited  
Auckland, New Zealand  
Tel: +64 9 525 7570

Waterco (C) Limited  
Guangzhou, China  
Tel: +86 20 3222 2180

Waterco (Far East) Sdn Bhd  
Selangor, Malaysia  
Tel: +60 3 6145 6000

PT Waterco Indonesia  
Jakarta, Indonesia  
Tel: +62 21 4585 1481

Waterco Singapore Intl Pte Ltd  
Nehsons Building, Singapore  
Tel: +65 6344 2378

## DISTRIBUTED BY:

**WATERCO**  
water, the liquid of life



**SPASA**  
AUSTRALIAN MEMBER