

# COMMERCIAL UNDERWATER LIGHT

BRITESTREAM PRO 40 W NICHE LED UNDERWATER LIGHT



**BRITESTREAM PRO 40 W**



[www.waterco.com.my](http://www.waterco.com.my)

**WATERCO**  
water, the liquid of life

## Underwater Light on a Commercial Scale

Britestream Pro 40 W LED Underwater Light is designed as energy-saving lighting with high brightness at 3770 lm. Its 40 W output of warm white light is suitable for illuminating pools in hotels, water parks and many large pools.

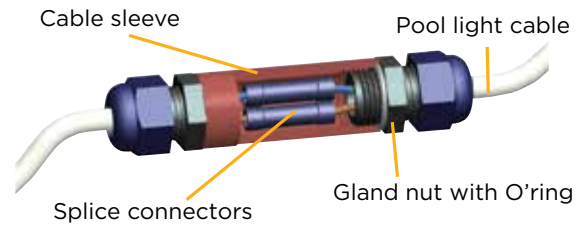
## Retrofit Connector (IP68)

Britestream Pro comes with easy to use Retrofit Connector, is supplied in two sizes, one that suits 6 mm & less and another 6 mm & plus power cable. Simply crimp both connections with the splice connectors, slide the cable sleeve over the connection and hand tighten the gland nuts.



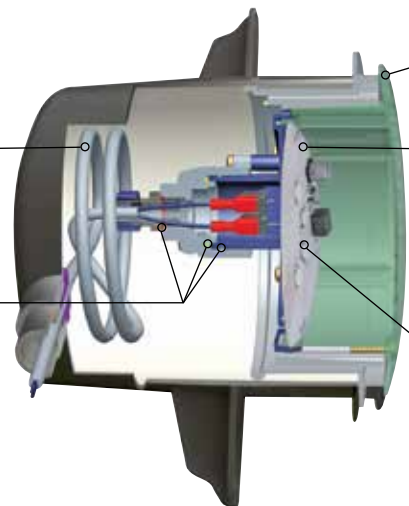
## BriteLux Diffuser Lens

Unlike traditional LED lights that restrict the light output to individual hot spots, BriteLux Diffuser Lens radiates light throughout the entire circumference of the lens.



**Stainless Steel Dress Ring**  
Corrosion-resistance protection for BriteLux Diffuser Lens edges.

**BriteLux Diffuser Lens**  
Its diffuser lens radiates the entire light and boosts light transmission.



**Easy Coiling**  
Extra space for easy coiling and storage of the light's power cord.

**Triple seal connection**  
Three O-rings are in place to provide a triple seal, eliminating the possibility of any leakages travelling up the power cord.

**Extra Slim Protrusion**  
Projects only 11 mm from the pool/spa wall.

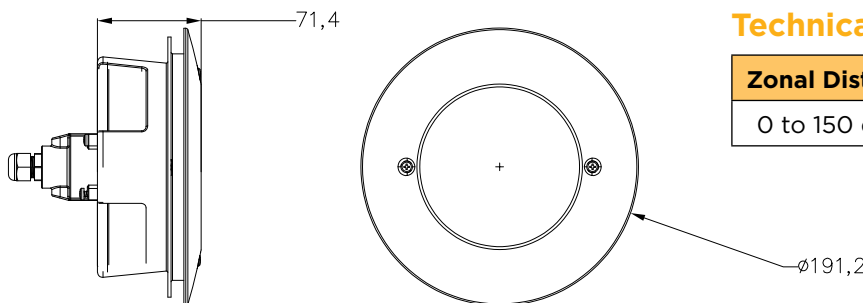
**Precision Built**  
Britestream comprises of a precision built printed circuit board totally enclosed in a waterproof housing.

**Super Bright**  
Super bright energy saving LEDs.

**Long Life LEDs**  
LEDs are long lasting, energy efficient light source.

**Built-in Heat Management**  
The LED's heat output is automatically managed by its electronic circuitry.

## Dimensions



## Technical Specifications

Zonal Distribution	Colour Temperature	Input Voltage
0 to 150 degrees	2922 K	12 VAC

**Warranty**  
Britestream Pro Niche 40 W Underwater Lights are covered by 2 years warranty.

### OFFICES - AUSTRALIA

NSW - Sydney (Head Office)  
Tel: +61 2 9898 8600  
QLD - Brisbane  
Tel: +61 7 3299 9900  
VIC/TAS - Melbourne  
Tel: +61 3 9764 1211  
WA - Perth  
Tel: +61 8 9273 1900  
SA/NT - Adelaide  
Tel: +61 8 8244 6000  
ACT Distribution  
Tel: +61 2 6280 6476

### OFFICES - OVERSEAS

Waterco (Europe) Limited  
Sittingbourne, Kent, UK  
Tel: +44 (0) 1795 521 733  
Waterco (USA) Inc  
Augusta, Georgia, USA  
Tel: +1 706 793 7291  
Waterco Canada  
Boucherville, Quebec, Canada  
Tel: +1 450 748 1421  
Waterco (NZ) Limited  
Auckland, New Zealand  
Tel: +64 9 525 7570  
Waterco (C) Limited  
Guangzhou, China  
Tel: +86 20 3222 2180  
Waterco (Far East) Sdn Bhd  
Selangor, Malaysia  
Tel: +60 3 6145 6000  
PT Waterco Indonesia  
Jakarta, Indonesia  
Tel: +62 21 4585 1481  
Waterco Singapore Intl Pte Ltd  
Nehsons Building, Singapore  
Tel: +65 6344 2378

DISTRIBUTED BY:



ZZB2058 05/22