



Asian Product Catalogue
& Spare Parts Book
2021•2022

Effective 1st January 2021

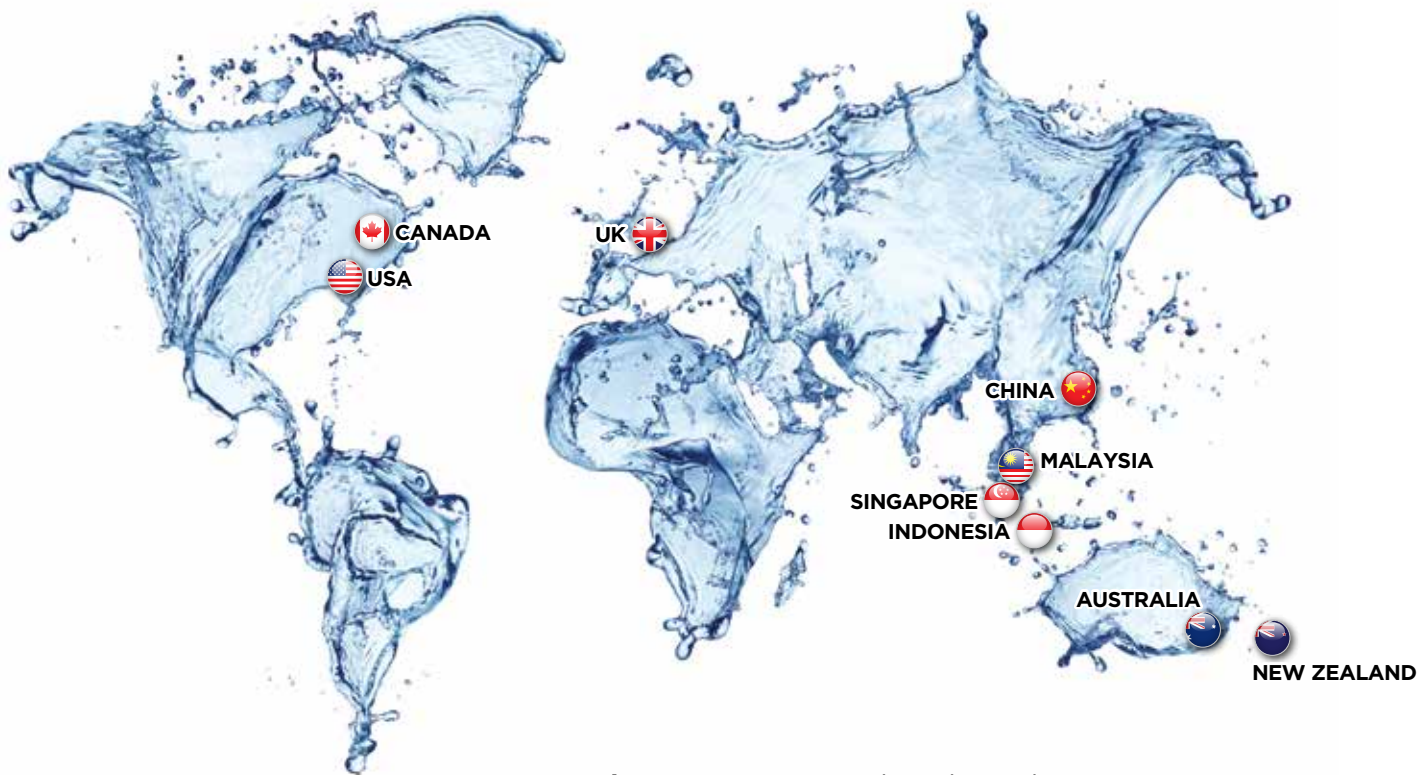


Waterco Limited

Established since 1981, Waterco is an Australian public listed company involved in the manufacture and distribution of:

- Swimming pool/spa equipment and chemicals
- Domestic water filters, softeners and purifiers
- Commercial water treatment equipment





MALAYSIA Kuala Lumpur - Research and Development, Manufacturing, Warehousing, Sales and Distribution.

SINGAPORE Regional Sales and Administrative Office.

INDONESIA Jakarta - Warehousing, Sales and Distribution.

AUSTRALIA Sydney (Head Office), Brisbane, Melbourne, Adelaide, Perth - Research and Development, Manufacturing, Warehousing, Sales and Distribution.

UK Kent - Manufacturing, Warehousing, Research and Development, Sales and Distribution.

USA Augusta - Research and Development, Manufacturing, Warehousing, Sales and Distribution.

CANADA Boucherville - Warehousing, Research Development, Sales and Distribution.

NEW ZEALAND Auckland - Warehousing, Sales and Distribution.

CHINA Guangzhou - Manufacturing, Chemical Packing, Warehousing, Sales and Distribution.



Terms and Conditions of Sales

1. Price changes

Waterco reserves the right to alter prices without prior notice.

2. Payment

Payment of goods shall be strictly Cash-On-Delivery unless credit arrangements have been approved. Payments of goods purchased on credit must be made within 30 days of date of invoice. Overdue accounts may incur an interest charge at the rate of 1.5% per month, at Waterco's discretion. Waterco reserves the right to require Cash-On-Delivery where there has been a failure to meet the terms of credit previously provided.

3. Returned goods

Goods returned for credit by prior arrangement and must be accompanied by written details of the original delivery date and other relevant information. Returns may be subject to a handling charge at Waterco's discretion according to the circumstances. Waterco will not be responsible for the freight charges for the return of such goods.

4. Local Delivery Arrangements

Waterco will only deliver to the customer's business premises or to locations nominated by the customer within 50 kilometres of the customer's business premises. Freight costs will be handled in accordance with clause 5. If the customer requests delivery outside these areas, it may or may not be provided, at the relevant Waterco branch manager's discretion and on terms to be agreed with the Waterco branch manager.

5. Freight costs

All prices quoted are ex-factory unless specified. Deliveries to all other areas are on ex-Waterco Warehouse basis.

6. Ownership of goods

Risk in all goods supplied by Waterco to the customer shall pass: -

(a) when goods are delivered to the customer where delivery is within the metropolitan areas as defined by Waterco and delivery is provided by Waterco or

(b) where delivery is outside the metropolitan area as defined by Waterco, then the risk shall pass immediately the goods leave Waterco premises and the customer shall ensure that appropriate transit insurance cover has been taken out in respect of such goods. However, ownership of the goods in all cases shall be retained by Waterco until payment is received in full such goods and for all goods supplied by Waterco to the customer. Until payment is made, the customer will hold the goods as fiduciary bailee and agent for Waterco, the agency being solely for the purpose of accounting for sale proceeds. If the customer fails to make payment within the due time as stipulated by Waterco, Waterco shall have the right to enter upon the premises of the customer and regain possession of the said goods. If such goods are sold by the customer prior to payment, or if they become constituents of other goods, then the customer will hold those proceeds of sale which equate to the amount owing for the goods on trust for and account for them to Waterco. In the event that the customer fails to make payment within the due time as stipulated by Waterco, Waterco shall have the right to enter upon the premises of the customer and to regain possession of the said goods. In the event that such goods are sold by the customer prior to payment thereof, or if they shall become constituents of other goods, then the proceeds of sale thereof shall be the property of Waterco.

7. Order

The customer shall, within seven (7) days upon receipt of a completed order, report to Waterco, in writing, all incorrect deliveries. Deliveries shall be assumed to be correct and no adjustment shall be made unless such notice is provided to Waterco within seven (7) days of the date of delivery.

8. Proof of Delivery

Proof of delivery may be available upon request, however charges might be applicable to the customer to reprint or reproduce the Proof of Delivery.

9. Intellectual Property

The purchaser must not use Waterco's intellectual property (Trade Marks/ Logos/ Images) without Waterco's written permission.

10. Compliance with Privacy Law

- a) Where a party discloses to the other party any Personal Information, the recipient must:
- i) comply with the Privacy Law in respect of its holding, use and disclosure of that Personal Information. In the case that recipient is not bound by the Privacy Law, recipient must treat such Personal Information in the same manner as if recipient was bound by the Privacy Law;
 - ii) use the Personal Information only for the purposes of fulfilling its obligations under this Agreement;
 - iii) acknowledge that if recipient breaches the Privacy Law, the disclosing party may be held to be in breach of the Privacy Law and accordingly recipient warrants to the disclosing party that it, or its agents will not act in any way, or fail to take relevant action so that recipient contravenes the provisions of the Privacy Law;
- b) Each party warrants that it has in place:
- i) a system to detect and report when an event has occurred that may give rise to reasonable grounds to suspect an Eligible Data Breach has occurred; and
 - ii) a system to investigate and assess a suspected Eligible Data Breach within 30 days of becoming aware of a suspected breach, including a documented procedure for making an evaluation of each investigation.
- c) In the event of a suspected Eligible Data Breach the breached party will notify the other and cooperate to minimise loss of goodwill, including liaising on client communications.
- d) The breached party indemnifies the other for any loss of data resulting from an Eligible Data Breach where the OAIC determines the breached party did not comply with the Privacy Act, or, if no determination is formally made by the OAIC, a court of competent jurisdiction so determines.
- e) For the purposes of this clause, Eligible Data Breach has the meaning set out in section 26WE of the Privacy Act. Personal Information has the same meaning as the given in the Privacy Act 1988 (Cth). Privacy Law means the Privacy Act 1988 (Cth) and any legislation (to the extent that such legislation applies to either party or any other recipient of Personal Information) from time to time in force in any Australian jurisdiction (which includes the Commonwealth of Australia and any State or Territory of Australia) affecting privacy, personal information or the collection, handling, storage, processing, use or disclosure of personal data.

Conversion Tables

CONVERSIONS

Kilowatts	x	3412	=	B.T.U.	m	x	3.28	=	ft
B.T.U.	x	1.055	=	Kilojoules	m ²	x	10.76	=	ft ²
kWh	x	3571.4	=	Kilojoules	m ³	x	35.3	=	ft ³
Kilowatts	x	1.34	=	Horsepower	ft ³	x	28.3	=	litres
Kg	x	2.205	=	Pounds	m ³	x	1000	=	litres

VOLUME (LIQUIDS) - IMPERIAL/US/METRIC

Imp. Gallon	=	1.201	US Gallons	1m ³	=	220	Imp. Gallons
	=	0.004546	m ³		=	264.2	US Gallons
	=	4.546	litres		=	1000	litres
US Gallon	=	0.833	Imperial Gallons	1 litre	=	0.220	Imp. Gallons
	=	0.003785	m ³		=	0.264	US Gallons
	=	3.785	litres		=	0.001	m ³
m ³ /hour	=	3.67	imp. gpm	lpm	=	0.22	imp. gpm
	=	4.40	US gpm		=	0.26	US gpm
	=	16.67	lpm		=	0.06	m ³ /hr
US gpm	=	0.23	m ³ /hr	Imp. Gallon	=	0.27	m ³ /hr
	=	3.83	lpm		=	4.50	lpm
	=	0.83	Imp. Gallons		=	1.20	US gpm

FILTRATION RATE

m ³ /hr/m ²	=	16.67	lpm/m ²	lpm/m ²	=	0.060	m ³ /hr/m ²
	=	0.41	US gpm/ft ²		=	0.025	US gpm/ft ²
	=	0.34	igpm/ft ²		=	0.020	igpm/ft ²
US gpm/ft ²	=	2.44	m ³ /hr/m ²	igpm/ft ²	=	2.94	m ³ /hr/m ²
	=	0.83	igpm/ft ²		=	1.20	US gpm/ft ²
	=	40.67	lpm/m ²		=	49.00	lpm/m ²

HEAD AND PRESSURE

1ft Head	=	0.3048	metres head	1metre Head	=	3.281	ft head
	=	0.4335	psi		=	1.422	psi
	=	0.02989	bar		=	0.09807	bar
	=	0.8827	inch/hg vacuum		=	2.896	inch/hg vacuum
	=	0.03048	kgf/cm ²		=	0.1	kgf/cm ²

EQUIVALENT IMPERIAL & METRIC STANDARD PVC PIPES

IMPERIAL SYSTEM ASTM D1785		METRIC PIPE DIN 8062		JIS K6741.2	
Nominal Pipe Size		Outer Diameter, mm	Nominal Diameter/ Outer Diameter, mm	Nominal Size, mm	Outer Diameter, mm
inch	mm				
¼	8	13.72	12mm	-	-
⅜	10	17.15	16mm	-	-
½	15	21.34	20mm	16	22
¾	20	26.67	25mm	20	26
1	25	33.4	32mm	25	32
1¼	32	42.16	40mm	30	38
1½	40	48.26	50mm	40	48
2	50	60.33	63mm	50	60
2½	65	73.02	75mm	65	76
3	80	88.9	90mm	75	89
4	100	114.3	110mm	100	114
6	150	168.27	160mm	150	166
8	200	219.08	225mm	200	217
10	250	273.05	280mm	250	268

*In imperial system, Nominal Pipe Size (NPS) refers to inner diameter of pipe.

*In metric system, the naming system is based on outer diameter of pipe.

Table of Contents

Pumps	1
MultiCyclone	2
Filters & MPV	3
Filter Media	4
Heaters	5
Sanitization	6
Underwater Light	7
Recirculation	8
Maintenance & Cleaning	9
Spa Equipment	10
Fittings & Valves	11
Chemicals	12
Warranty Terms & Conditions	13
Spare Part	

Signature PRODUCTS



Waterco pioneers reliable solutions for healthy, safe water environments



Aquabiome is designed for ponds and aquaculture systems. It functions to remove solid particles and at the same time Ammonia compound from pond system.



Hydrostar Plus High performance with corrosion resistant thermoplastic pumps with a 6" Flanged Inlet and 4" Flanged Outlet for large commercial pools and theme parks.

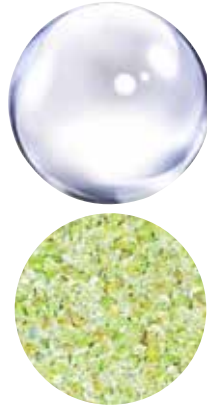


Multicyclone 16 Award winning pre filter with uses centrifugal force to filter down to 30 micron with no moving parts or cartridges.



PRO Series Pool Cleaning Accessories

Made from engineered plastics for maximum durability and ease of use.



Range of Medias

(Glass Pearls / Eco Pure Crushed Glass) Superior filter media with high purity properties that delivers outstanding water clarity.



Electrochlor PRO

Self Cleaning Salt Chlorinator with a 40G or 50G production output for problem free salt chlorination.



Horizontal Filters

Large filter surface area in a compact horizontal design to maximize performance and functionality in filtration and flow rates.



Electroheat Inverter Advanced pool heater with a variable speed compressor to regulate pool heating temperature to lower heating costs.



Hydrostorm ECO V

Energy saving variable speed pump that produces high performance and low electricity bills.



Exotuf PLUS

High Pressure and Hydraulically designed Thermoplastic Media Filters with economical pricing.



PUMPS

Supastream-----	12
Supatuf-----	13
Hydrostorm-----	14
Hydrostorm Plus-----	15
Turboflo-----	16

VARIABLE SPEED PUMPS

Supatuf ECO MK2-----	17
Hydrostorm ECO-V-----	18

COMMERCIAL PUMPS

Hydrostar-----	20
Hydrostar MKIV-----	20
Hydrostar Plus-----	22
Hydro5000 Commercial Strainer-----	23
Sea Water Mechanical Seal-----	24

Pump



SUPASTREAM PUMPS - 40mm ports

Part Number	Product Description	Nominal Size
2403050	Supastream 050 - 40mm ports (1 phase)	0.50hp
2403075	Supastream 075 - 40mm ports (1 phase)	0.75hp
2403100	Supastream 100 - 40mm ports (1 phase)	1.00hp
2403150	Supastream 150 - 40mm ports (1 phase)	1.50hp

*2" port version available upon request

*60 Hz pumps available on certain models, please contact our friendly sales staff.

Pump	Inlet / outlet	Strainer basket size
Supastream 50	40mm ONLY	1.5
Supastream 75, 100 & 150	40/50mm	1.5

Supastream pumps are general purpose pumps designed for use in swimming pools and low pressure water recirculation applications.

- 1.5 L strainer basket.
- Protected by secondary seal.

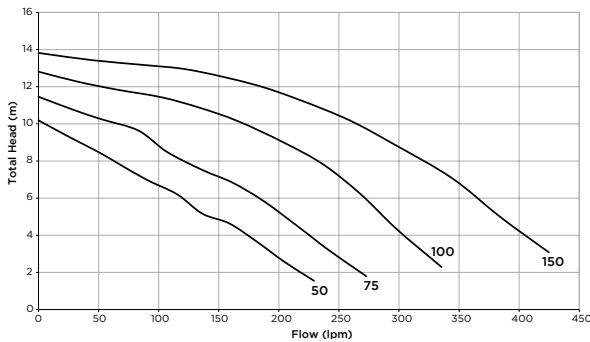
Technical Specifications

Model	Flow Rate (lpm)		Nom. HP	kW	Amps	Total Length (mm)
	6m	8m				
Supastream 50	120	60	0.50	0.563	2.55	575

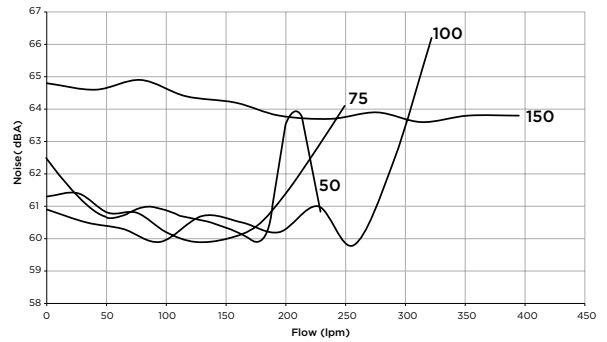
Model	Flow Rate (lpm)		Nom. HP	kW	Amps	Total Length (mm)
	8m	10m				
Supastream 75	119	63	0.75	0.626	2.82	575
Supastream 100	234	169	1.00	0.793	3.50	575
Supastream 150	320	263	1.50	1.056	4.76	596

Phase	Volts	Cycle	RPM
1	220-240	50	2810

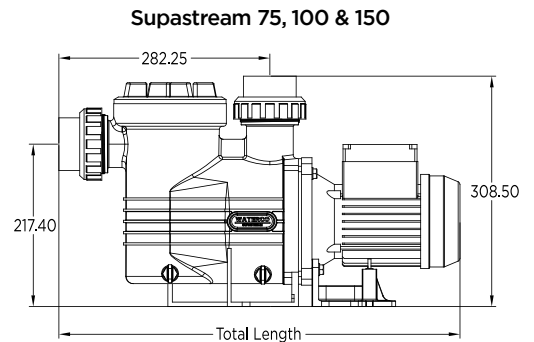
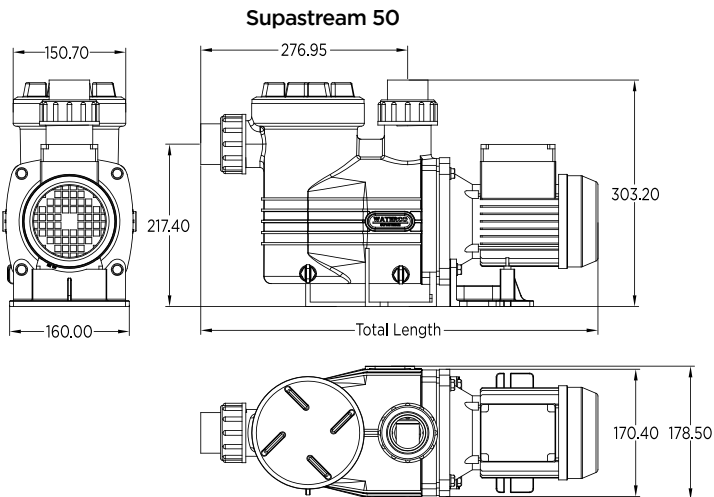
Flow Curves



Noise Levels



Dimension



Pump



The Supatuf pump is ideal for large domestic swimming pools with ancillary systems such as heating, infloor cleaning, fountains, vacuum cleaning and swim jets.

- 2.1 L strainer basket.
- Protected by secondary seal.

SUPATUF PUMPS - 50mm ports (MK 2)

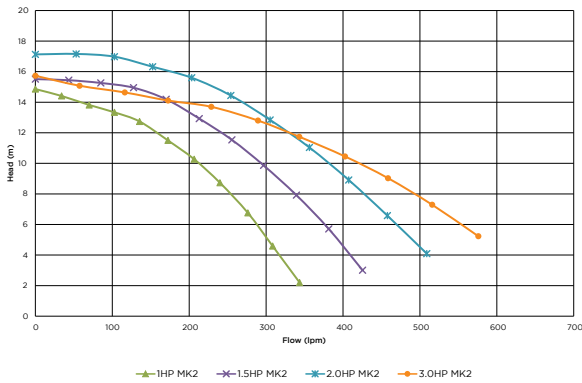
Part Number	Product Description	Nominal Size
24110002	Supatuf 100 - 50mm ports (1 phase)	1.00hp
24115002	Supatuf 150 - 50mm ports (1 phase)	1.50hp
2412000	Supatuf 200 - 50mm ports (1 phase)	2.00hp
2413000	Supatuf 300 - 50mm ports (1 phase)	3.00hp
24130003	Supatuf 300 - 50mm ports (3 phase)	3.00hp

*60 Hz pumps available on certain models, please contact our friendly sales staff.

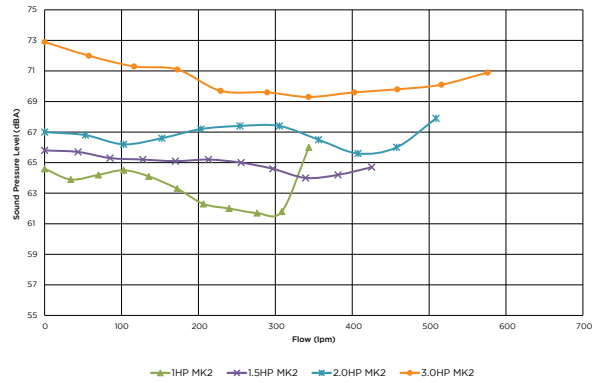
Technical Specifications

Model	Flow Rate (lpm)		kW	Nominal HP	Amp	Phase	Total Length (mm)
	8m	10m					
Supatuf 100 MK2	250	210	0.84	1.0	3.7	1	602
Supatuf 150 MK2	340	290	1.08	1.5	4.8	1	623
Supatuf 200 MK2	420	380	1.51	2.0	6.6	1	663
Supatuf 300 MK2	500	420	1.96	3.0	8.8	1	648
Supatuf 300 MK2	540	480	2.07	3.0	4.4	3	648

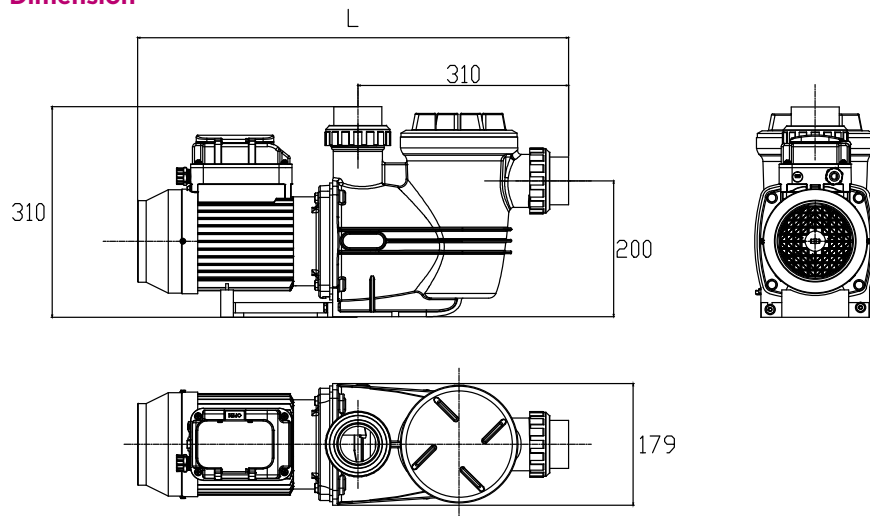
Flow Curves



Noise Levels



Dimension



Pump



The Hydrostorm is designed to have all the extra power you need to cope with modern day swimming pool designs.

- 2.1 L strainer basket.

HYDROSTORM PUMPS - High Head - 50mm ports

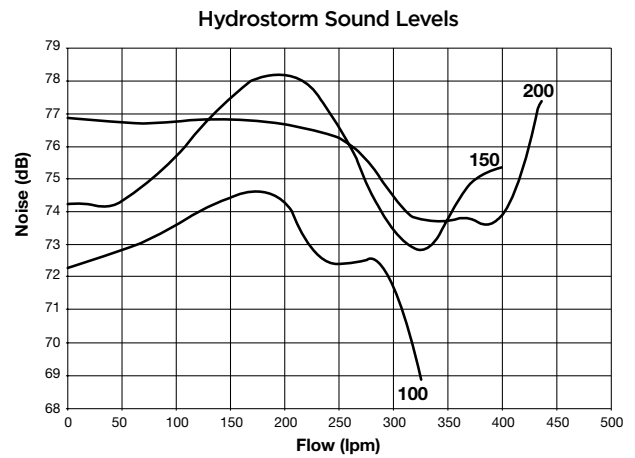
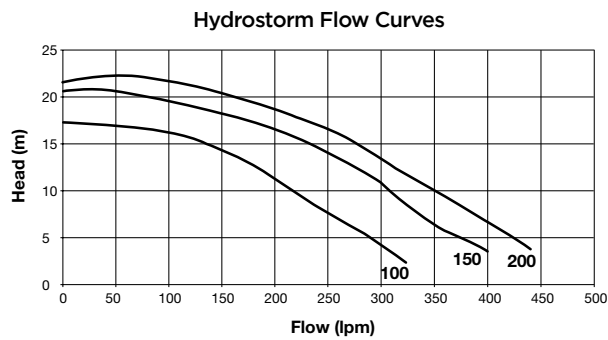
Part Number	Product Description	Nominal Size
244100	Hydrostorm 100 - 50mm ports (1 phase)	1.00hp
244150	Hydrostorm 150 - 50mm ports (1 phase)	1.50hp
244200	Hydrostorm 200 - 50mm ports (1 phase)	2.00hp
2442003	Hydrostorm 200 - 50mm ports (3 phase)	2.00hp
244300	Hydrostorm 300 - 50mm ports (1 phase)	3.00hp
2443003	Hydrostorm 300 - 50mm ports (3 phase)	3.00hp

*60 Hz pumps available on certain models, please contact our friendly sales staff.

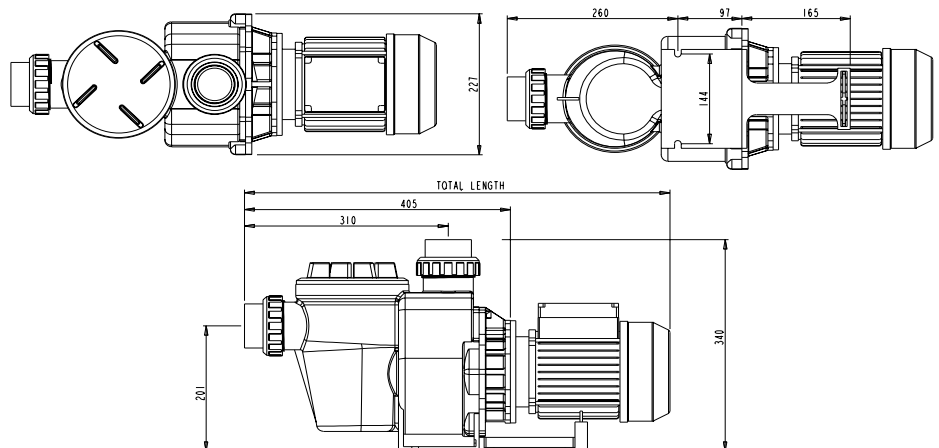
Technical Specifications

Model	Flow Rate (lpm)		Nom. hp	kW	Amps	Phase	Total Length (mm)	Motor Frame (mm)	Inlet/Outlet
	8m	10m							
Hydrostorm 100	250	225	1	0.91	4.00	1	600	71	50mm ports x / 50mm unions
Hydrostorm 150	350	315	1.5	1.31	5.80	1	647	80	50mm ports x / 50mm unions
Hydrostorm 200	370	350	2	1.46	6.60	1	647	80	50mm ports x / 50mm unions

Phase	Volts	Cycle	RPM
1	220-240	50	2860



Dimension



Pump



HYDROSTORM PLUS PUMPS - High Head - 60 Hz

Part Number	Product Description	Nominal Size
2405100	Hydrostorm Plus 100 - 50mm ports (1 phase)	1.00hp
2405150	Hydrostorm Plus 150 - 50mm ports (1 phase)	1.50hp
2405200	Hydrostorm Plus 200 - 50mm ports (1 phase)	2.00hp
2405250	Hydrostorm Plus 250 - 50mm ports (1 phase)	2.50hp
2405300	Hydrostorm Plus 300 - 65mm ports (1 phase)	3.00hp
24053003	Hydrostorm Plus 300 - 65mm ports (3 phase)	3.00hp

*60 Hz pumps available on certain models, please contact our friendly sales staff.

Accessories

634086	Waterco Universal Pump Lid Tool Bar
--------	-------------------------------------

The Hydrostorm plus has all the proven features of the Hydrostorm with the addition of an innovative lid & lock ring for easier maintenance and a larger strainer basket for increased capacity.

- 2.25 L strainer basket.

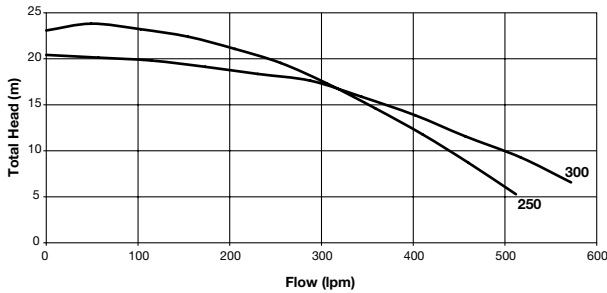
Technical Specifications

Model	Flow Rate (lpm)		kW	Nominal HP	Amp	Phase	Total Length (mm)	Motor Frame (mm)	Inlet/Outlet
	8m	10m							
Hydrostorm Plus 250	470	440	1.88	2.5	8.2	1	678	80	50mm ports x 50mm unions
Hydrostorm Plus 300	540	500	2.20	3.0	11.0	1	730	90	65mm ports x 65/50mm unions
Hydrostorm Plus 300	540	500	2.20	3.0	4.1	3	730	90	65mm ports x 65/50mm unions

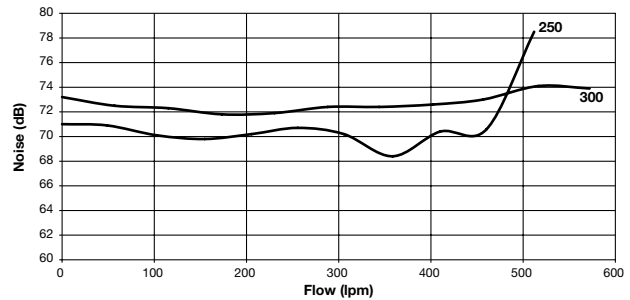
Phase	Volts	Cycle	RPM
1	220-240	50	2860

Please Note: Hydrostorm Plus 3 phase models are available on request. *15 Amp Power Lead Plug.

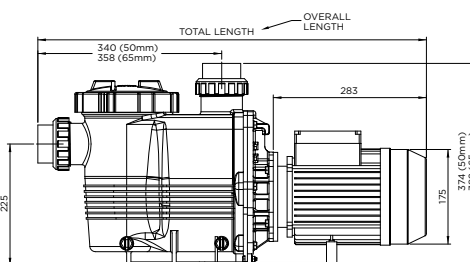
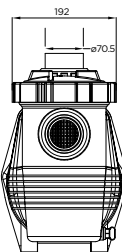
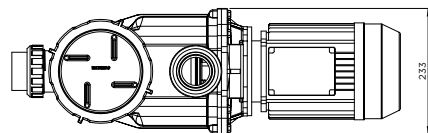
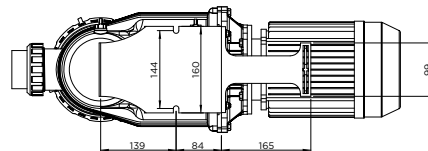
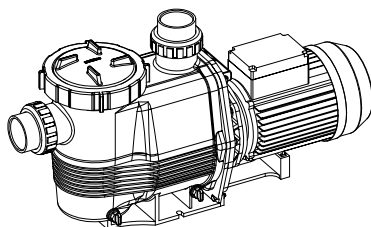
Hydrostorm Plus Flow Curves



Hydrostorm Plus Sound Levels



Dimension



Pump



TurboFlo is a hydraulically efficient, high performance pump designed for pools and spas with high power requirements. It has an adjustable wet end which can be configured to suit up to 5 different plumbing conditions.

TURBOFLO PUMPS

Part Number	Product Description	Nominal Size
2462100	TurboFlo 100 - 50mm ports (1 phase)	1.00hp
2462150	TurboFlo 150 - 50mm ports (1 phase)	1.50hp
2462200	TurboFlo 200 - 50mm ports (1 phase)	2.00hp
2462250	TurboFlo 250 - 50mm ports (1 phase)	2.50hp
24622503	TurboFlo 250 - 50mm ports (3 phase)	2.50hp
2462300	TurboFlo 300 - 50mm ports (1 phase)	3.00hp
24623003	TurboFlo 300 - 50mm ports (3 phase)	3.00hp
2462400	TurboFlo 400 - 50mm ports (3 phase)	4.00hp

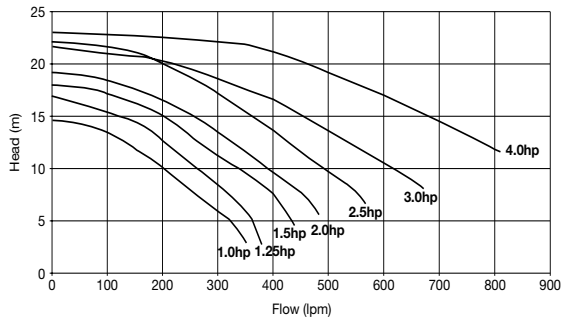
*60 Hz pumps available on certain models, please contact our friendly sales staff.

Technical Specifications

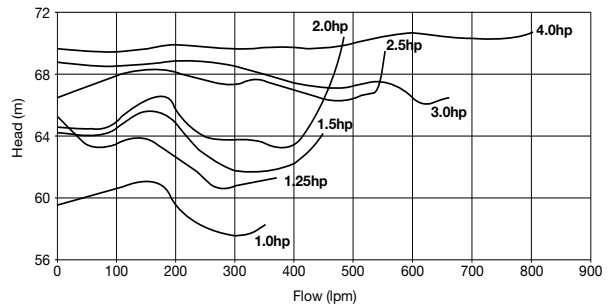
Model	Nominal Power (hp)	Motor Input (kW)	Amps/Phase	Phase	Total Length (mm)	Motor Frame (mm)	Weight (kg)
Turboflo 100	1.00	0.94	4.1	1	445	71	10.4
Turboflo 150	1.50	1.40	5.9	1	445	80	13.4
Turboflo 200	2.00	1.50	6.4	1	445	80	13.4
Turboflo 250	2.50	1.70	7.2	1	445	80	14.6
Turboflo 300	3.00	2.10	9.1	1	483	90	16.9
Turboflo 400	4.00	3.10	5.7	3	508	100	20.2

Phase	Volts	Cycle	RPM
1	220-240	50	2860
3	380-420	50	2860

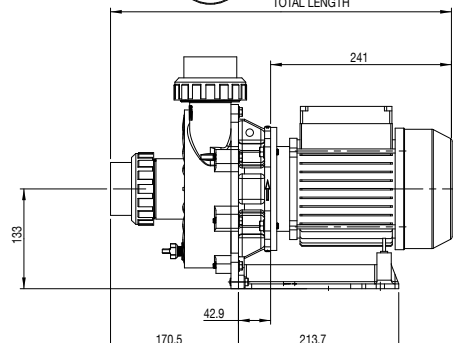
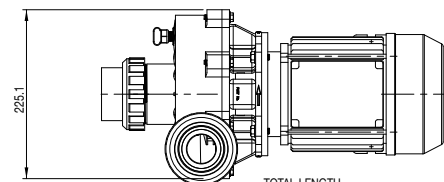
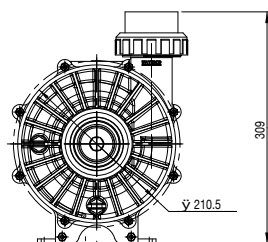
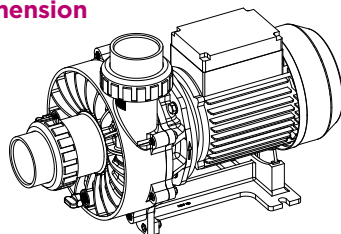
Flow Curve



Sound Levels



Dimension



Our Turboflo pump is good in providing relaxation and physiotherapy for sport persons. You may refer the application in EPL football club at Page 25.



Variable Speed Pumps



Equipped with an energy saving 3 speed motor, Supatuf ECO MK2 is capable of lowering its energy usage & reducing its operating noise levels.

- Energy Rating of 7 Stars
- Innovative permanent magnet brushless DC motor
- Ultra quiet operation

SUPATUF ECO PUMP

Part Number	Product Description	Nominal Size
24110008	Supatuf ECO 100 MK2 - 40/50mm ports (1 phase)	1.00hp

Technical Specifications

Length	Height	Width	Packaged Weight	Inlet/Outlet	Strainer Basket
mm	mm	mm	kg	mm	mm
635	210	179	12	50/40	1.5

Low speed (1900rpm)

Pump Total Head (m)	Flow Rate (lpm)	Motor Input (kW)	Amps	Noise Level (dBA)
2.4	214	0.27	2.1	58.8
4.4	169	0.27	2.1	58.4
5.6	118	0.25	1.9	58.7

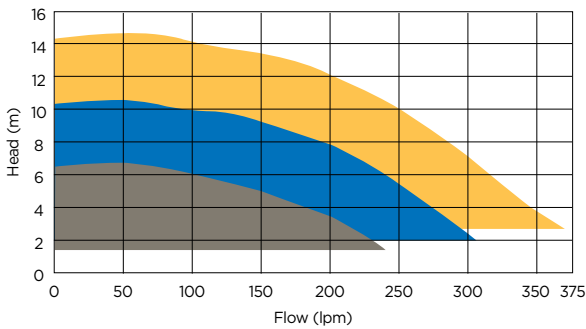
Medium speed (2410rpm)

Pump Total Head (m)	Flow Rate (lpm)	Motor Input (kW)	Amps	Noise Level (dBA)
5.6	247	0.52	3.9	60.9
8.1	184	0.50	3.8	61.3
9.6	125	0.45	3.4	61.7

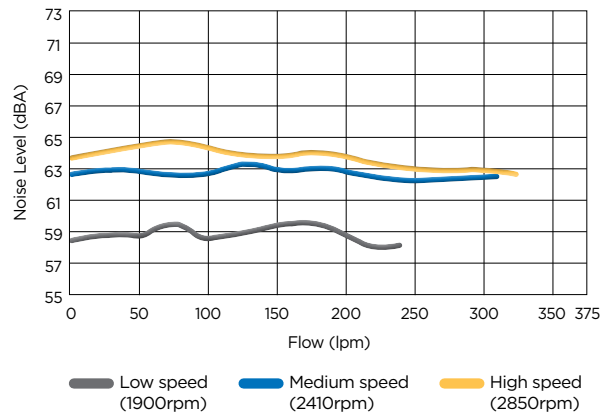
High speed (2850rpm)

Pump Total Head (m)	Flow Rate (lpm)	Motor Input (kW)	Amps	Noise Level (dBA)
7.3	297	0.84	6.5	63.5
11.2	219	0.79	5.9	63.3
13.4	148	0.71	5.3	63.6

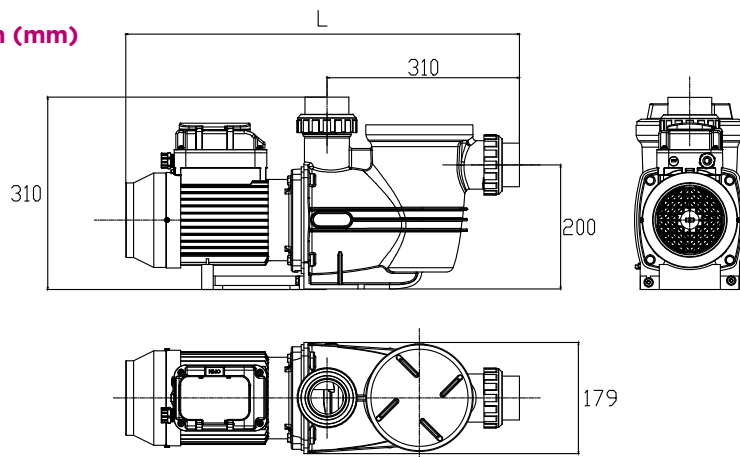
Supatuf ECO MK2 100 Performance Curves



Supatuf ECO MK2 100 Noise Levels



Dimension (mm)



Variable Speed Pumps



Hydrostorm ECO-V pumps are designed to have all the extra power you need to cope with modern day swimming pool designs, but is equipped with an energy saving variable speed motor that offers the finest adjustment in operating speed with 25 RPM increments, allowing fine tuning of the pump's motor speed to perfectly match the flow requirements of the swimming pool, maximising energy savings and minimising pump noise

- Energy Rating of 8 Stars.
- Variable permanent magnet brushless DC motor.
- Ultra quiet operation.

You may see how of Hydrostorm ECO-V improve pool circulation with lower filtration rate at Page 27

HYDROSTORM ECO-V PUMP

Part Number	Product Description	Nominal Size
2441009	Hydrostorm 100 ECO-V - 50mm ports (1 phase)	1.00hp
2441509	Hydrostorm 150 ECO-V - 50mm ports (1 phase)	1.50hp

Technical Specifications

Model	Length	Height	Width	Packaged Weight	Inlet/Outlet	Strainer Basket
	mm	mm	mm	kg	mm	lt
ECO-V 100	650	340	227	12	50	2.1

ECO-V speed (1475rpm)

Pump Total Head (m)	Flow Rate (lpm)	Motor Input (kW)	Amps	Noise Level (dBA)
1.8	142	0.16	1.2	56.5
2.3	127	0.16	1.2	55.8
2.8	115	0.16	1.2	56.3

ECO speed (1900rpm)

Pump Total Head (m)	Flow Rate (lpm)	Motor Input (kW)	Amps	Noise Level (dBA)
4.7	145	0.30	2.3	56.1
5.5	129	0.30	2.3	55.7
6.3	107	0.28	2.2	55.9

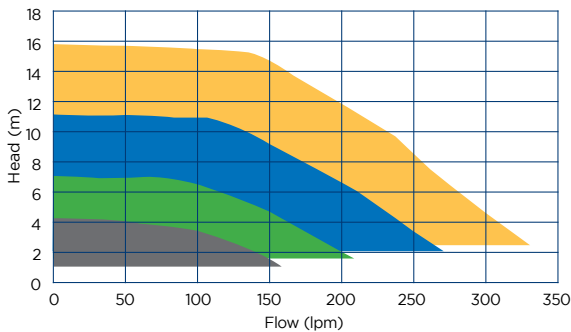
Medium speed (2410rpm)

Pump Total Head (m)	Flow Rate (lpm)	Motor Input (kW)	Amps	Noise Level (dBA)
5.3	220	0.53	4.1	58.7
7.0	193	0.54	4.1	59
9.9	135	0.52	3.9	61.5

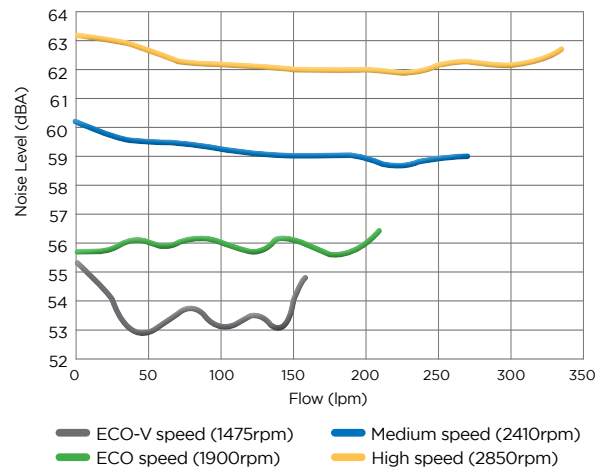
High speed (2850rpm)

Pump Total Head (m)	Flow Rate (lpm)	Motor Input (kW)	Amps	Noise Level (dBA)
7.3	264	0.86	6.6	62.3
11.8	201	0.87	6.6	62
15.2	134	0.79	6.0	62.1

Hydrostorm ECO-V 100 Performance Curves



Hydrostorm ECO-V 100 Noise Levels



Variable Speed Pumps

Technical Specifications

Model	Length	Height	Width	Packaged Weight	Inlet/Outlet	Strainer Basket
	mm	mm	mm	kg	mm	lt
ECO-V 150	771	340	227	14	50	2.1

ECO-V speed (1300rpm)

Pump Total Head (m)	Flow Rate (lpm)	Motor Input (kW)	Amps	Noise Level (dBA)
1.7	150	0.16	1.4	55.7
2.2	131	0.16	1.4	56.0
2.6	118	0.16	1.4	55.6

ECO speed (1900rpm)

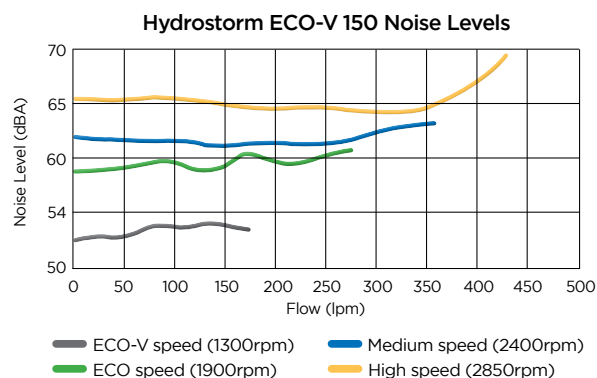
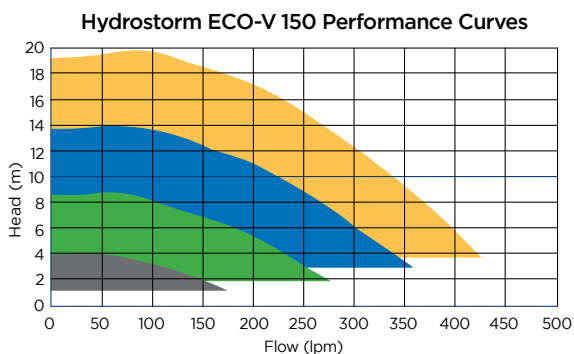
Pump Total Head (m)	Flow Rate (lpm)	Motor Input (kW)	Amps	Noise Level (dBA)
3.0	246	0.42	3.2	58.7
4.2	216	0.42	3.2	59.0
5.5	185	0.42	3.2	61.5

Medium speed (2410rpm)

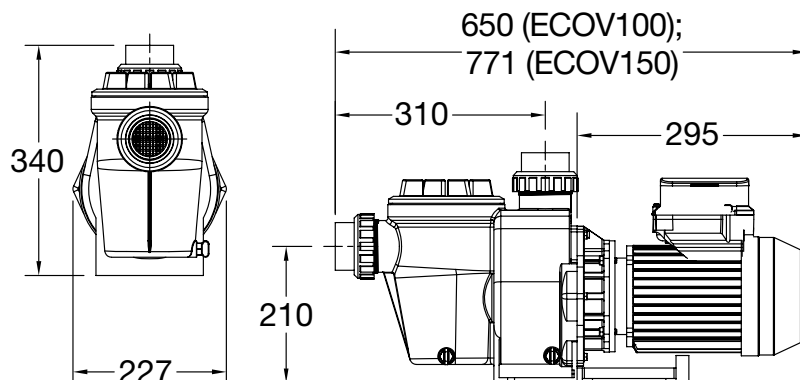
Pump Total Head (m)	Flow Rate (lpm)	Motor Input (kW)	Amps	Noise Level (dBA)
5.2	309	0.78	5.5	69.7
6.9	280	0.78	5.5	71.4
8.8	240	0.78	5.5	71.5

High speed (2850rpm)

Pump Total Head (m)	Flow Rate (lpm)	Motor Input (kW)	Amps	Noise Level (dBA)
6.4	375	1.25	8.5	78.3
9.5	336	1.26	8.6	77.3
12.3	290	1.26	8.6	76.3



Dimension (mm)



Commercial Pumps



The Hydrostar MKIV has been designed to provide a substantially quieter operation with even higher flow rates and higher head than the previous Hydrostar models. Waterco has optimised the pump's hydraulic efficiency by reshaping its internal profile.

HYDROSTAR MKIV PUMPS

Part Number	Product Description	Nominal Size
2404200	Hydrostar 200 - 65mm ports x 50mm unions (1 phase)	2.0hp
24042003	Hydrostar 200 - 65mm ports x 50mm unions (3 phase)	2.0hp
2404300	Hydrostar 300 - 65mm ports (1 phase)	3.0hp
24043008	Hydrostar 300 - 80mm ports (1 phase)	3.0hp
24043003	Hydrostar 300 - 65mm ports (3 phase)	3.0hp
240430083	Hydrostar 300 - 80mm ports (3 phase)	3.0hp
2404400333	Hydrostar 400 MKIV - 80mm ports (3 phase)	4.0hp
2404550333	Hydrostar 550 MKIV - 80mm ports (3 phase)	5.5hp
2404700333	Hydrostar 700 MKIV - 80mm ports (3 phase)	7.0hp

*60 Hz pumps available on certain models, please contact our friendly sales staff.

Material

Motor Bracket	: GF Polypropylene
Pump Bracket	: GF Polypropylene
Pump Body O Ring	: NBR
Seal Assembly	: Alumina Ceramic/SS316/Carbon (Silicon Carbide optional)
Impeller	: GF Noryl
Diffuser	: GF Polypropylene
Pump Body	: GF Polypropylene
Strainer Basket	: Polypropylene
Strainer Lid	: Polycarbonate
Lock Ring	: GF Noryl

Technical Specifications

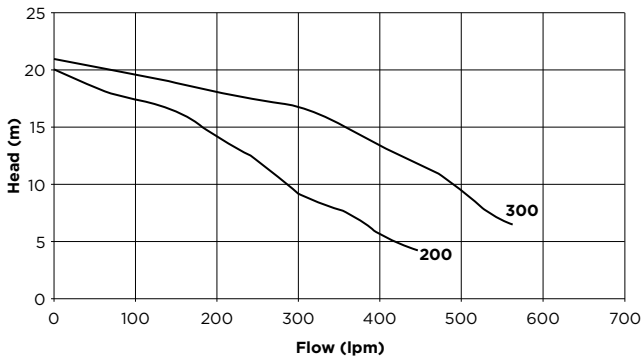
Model	Input Power		Amp/Phase	Weight kg	Total Length mm	Phase	Motor Frame mm	Inlet/Outlet
	kW	HP						
Hydrostar 200 MK3	1.52	2.0	3.6	25.0	749	3	80	65mm ports x 50mm unions
Hydrostar 300 MK3	2.21	3.0	4.1	29.7	815	3	90	80mm ports x 80mm unions
Hydrostar 400 MK4	3.00	4.0	5.8	41.0	846	3	100	80mm ports x 80mm unions
Hydrostar 550 MK4	4.30	5.7	8.1	50.0	867	3	112	80mm ports x 80mm unions
Hydrostar 700 MK4	5.40	7.2	10.3	54.0	929	3	112	80mm ports x 80mm unions

Phase	Volts	Cycle	Pump Rating
3	380-415	50	IP X5

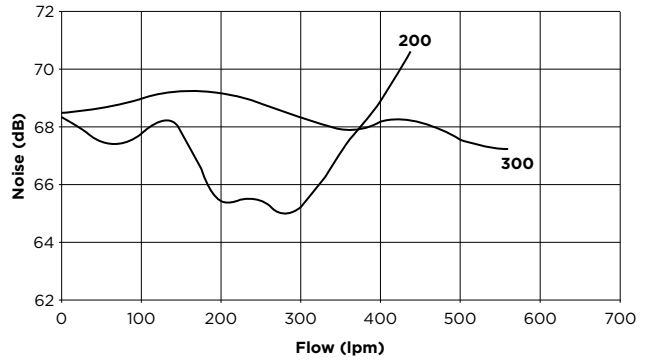
Do you know that no matter how good your pump is, a simple air pocket can reduce its efficiency greatly, and worse, destroy the pump. For basic sharing on how to avoid that, please refer page 27.

Commercial Pumps

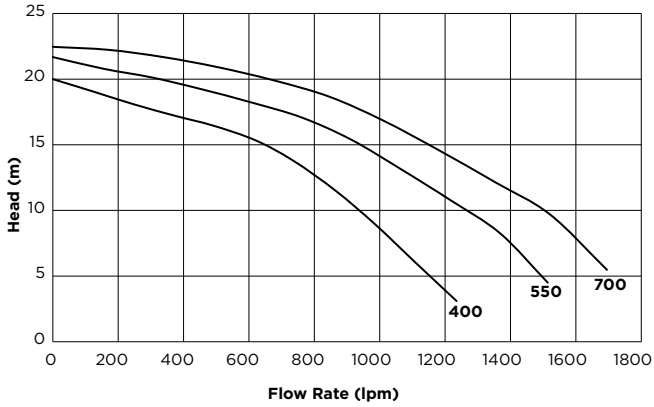
Flow Curves



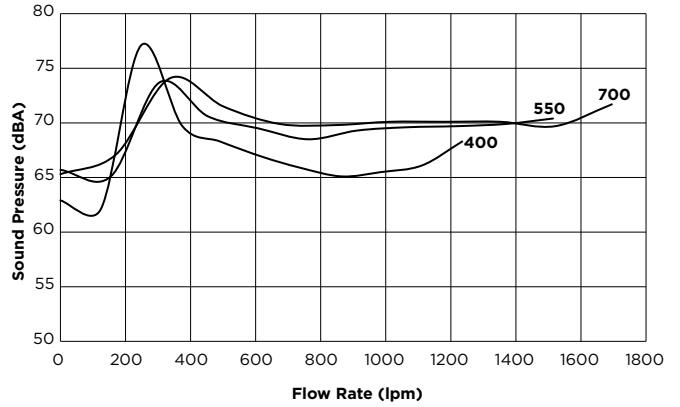
Sound Levels



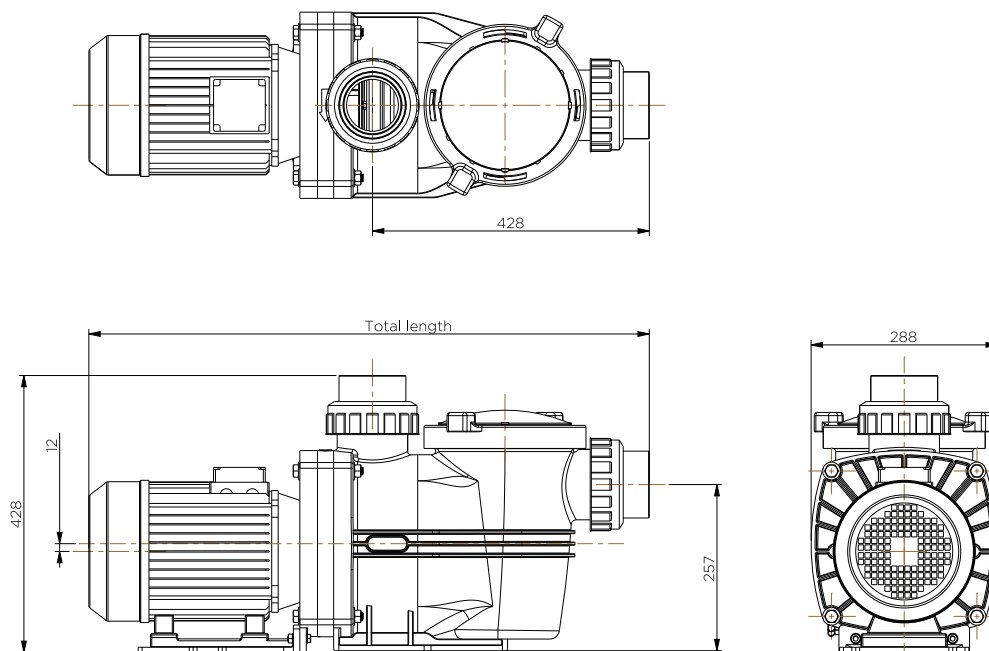
Performance Chart



Sound Levels



Dimensions



Commercial Pumps



HYDROSTAR PLUS PUMPS

Part Number	Product Description	Nominal Size
2460750	Hydrostar PLUS 5.5 kW	7.5hp / 5.5kw
2461000	Hydrostar PLUS 7.5 kW	10.0hp / 7.5kw
2461250	Hydrostar PLUS 9.5 kW	12.5hp / 9.5kw
2461500	Hydrostar PLUS 11 kW	15.0hp / 11kw
12161002	Hydrostar Plus Flange Kit	

*60 Hz pumps available on certain models, please contact our friendly sales staff.

Hydrostar Plus pumps are high performance corrosion resistant thermoplastic pumps equipped with 6" flanged inlet port & 4" flanged outlet port, purpose built for aquatic facilities, water parks and large commercial swimming pools.

The Hydrostar Plus pump's main body is constructed from an injection moulded glass reinforced thermoplastic. It's seamless one-piece consists of no welds or seams or special tank linings which can corrode or electrolyse.

Fibreglass thermoplastic does not rust or corrode and it's able to withstand damage from many types of water treatment chemicals. Its composite construction has facilitated the incorporation of a clear polycarbonate lid, enabling an instant view of its 16 L strainer basket.

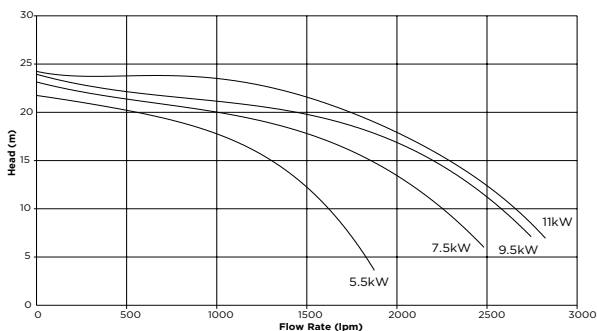
Material

Motor Bracket	: GF Polypropylene	Diffuser	: GF Polypropylene
Pump Bracket	: GF Polypropylene	Pump Body	: GF Polypropylene
Pump Body O Ring	: NBR	Strainer Basket	: Polypropylene
Seal Assembly	: Alumina Ceramic/SS316/Carbon (Silicon Carbide optional)	Strainer Lid	: Polycarbonate
Impeller	: GF Noryl	Lock Ring	: GF Noryl

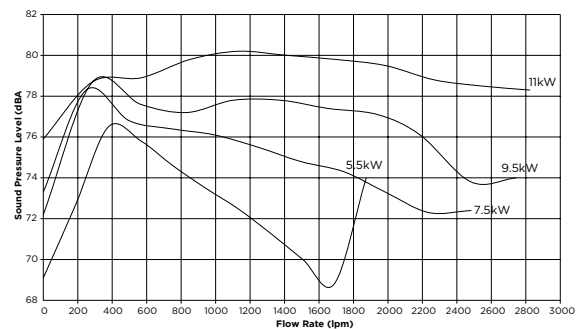
Technical Specifications

Pump Code	Model	Motor Input	Nominal Power	Amps	Phases	Volts	Weight	Total Length	Motor Frame	Pump Rating	Motor
		kW	HP				kg	mm			
2460750	5.5kW	5.8	7.8	10.4	3	380 - 415	73	1190	132	IPX5	2930
2461000	7.5kW	8.3	11.1	14.6	3	380 - 415	75	1190	132	IPX5	2940
2461250	9.5kW	9.9	13.3	17.7	3	380 - 415	91	1218	132	IPX5	2960
2461500	11kW	11.4	15.3	20.3	3	380 - 415	92	1218	132	IPX5	2940

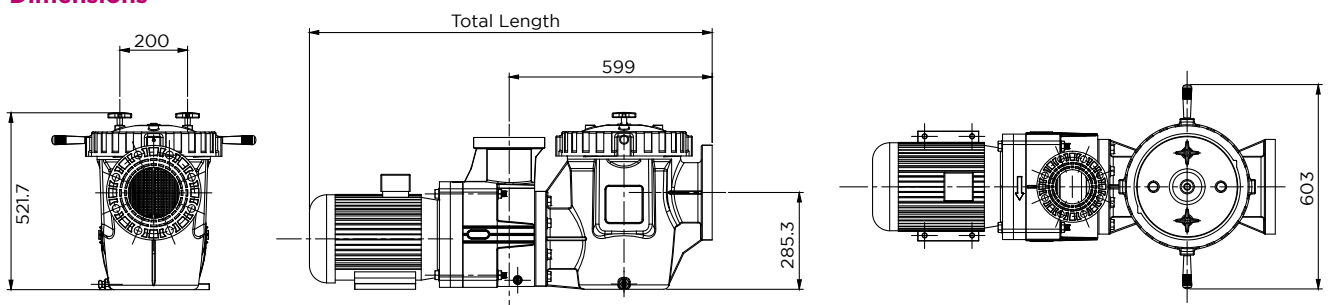
Performance Chart



Sound Levels



Dimensions



Commercial Pumps

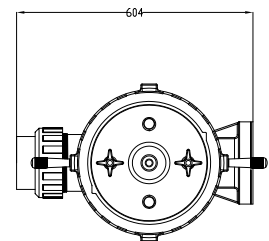
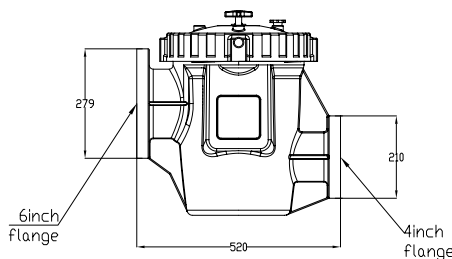
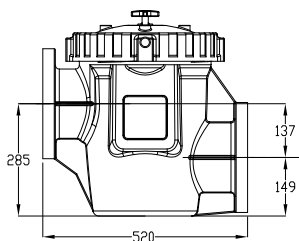
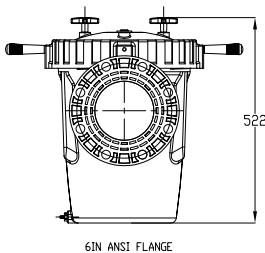
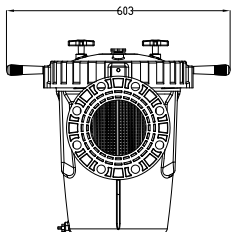


The Hydro5000 Commercial strainer is a corrosion resistant thermoplastic strainer designed for aquatic facilities, water parks and large commercial swimming pools.

Hydro5000 commercial strainer's main body is constructed from an injection moulded glass reinforced thermoplastic. It's seamless one piece consists of no welds or seams or special tank linings which can corrode or electrolyse.

Hydro5000 strainers weigh less than a 1/3 the weight of its steel counterparts without any compromise in strength and durability.

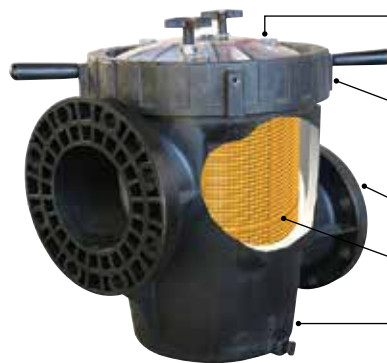
Dimension (mm)



HYDRO5000 COMMERCIAL STRAINER

Part Number	Product Description	Nominal Size
2409058	Hydro5000 Commercial Strainer Suction 6" ANSI Flange/ Discharge 6" ANSI Flange	6"/6"
2409057	Hydro5000 Commercial Strainer Suction 4" JIS Flange/ Discharge 6" ANSI Flange	4"/6"
2409056	Hydro5000 Commercial Strainer Suction 4" Threaded/ Discharge 6" ANSI Flange	4"/6"
2408055	Hydro5000 Commercial Strainer Suction 6" ANSI Flange/ Discharge 4" JIS Flange	6"/4"
2408054	Hydro5000 Commercial Strainer Suction 4" Threaded/ Discharge 4" JIS Flange	4"/4"

Features



Clear polycarbonate strainer lid enables an instant view of the strainer basket

New lock ring with easy grip handles - for simple removal & replacement of the lid

6" Flanged Ports

Moulded 16L polypropylene basket

UV stabilised glass filled polypropylene housing

Technical data

Maximum Flow Rate	: 1260lpm (4" Suction)
	: 2550lpm (6" Suction)
Maximum Working Pressure	: 3.5Bar (50PSI)
Basket Area	: 0.29m ²
Free Area	: 0.19m ²


Construction Materials

Housing	: Polypropylene (comply with NSF50)
Basket	: Polypropylene (FDA-grade)
Lid	: Polycarbonate

Commercial Pumps

SEA WATER MECHANICAL SEAL

Part Number	Product Description
6340162	3/4" Standard Mech Seal
63401625	3/4" Marine Mech Seal
63401629	1" Standard Mech Seal (Hydrostar Plus 5.5 - 11kW)
63401624	1" Marine Mech Seal (Hydrostar Plus 5.5 - 11kW)



All our pumps can be upgraded to marine mech seals, please approach our friendly sales staff for models available. You may see how our marine grade pump is applied at page 26.



Waterco Europe Commercial Swimming Pool

Wolverhampton Wanderers Football Club



Image courtesy of London's SomeOne design agency

Premier equipment for Premier League players

Wolverhampton Wanderers Football Club (UK)

England's Premier League is the most-watched sports code in the world, broadcast to an estimated 640 million homes and a potential TV audience of 4.7 billion people. As such, Premier League clubs invest in quality training facilities to ensure players remain in peak physical condition throughout the season.

Wolverhampton Wanderers Football Club also known as The Wolves use swimming pools for training, rehabilitation and recovery purposes. "The cold plunge pool is designed to deliver a combination of cold water, preferably at 8 degrees Celsius working with the deep water – a critical factor to induce hydrostatic pressure on the muscle tissue," explains Aqua Thermae managing director Richard Bishop.

To maintain clean, healthy water at the Wolves' training facility at the Sir Jack Hayward Training Ground in Wolverhampton – and ensure maintenance was kept to a minimum – Aqua Thermae installed a range of Waterco products known for their durability and reliability.



Like many elite sporting clubs, Wolves use swimming pools for training, rehabilitation and recovery purposes.

- Lacron MBF24" commercial filter with Waterco's Glass Pearls media x 2 units (for cold and warm water)
- Lacronite ECO-V 1.00HP variable speed pump x 2 units (for cold and warm water)
- Turboflo 3.00HP commercial pump x 1 units (for warm water)



Wolves installed The SwimEx 600T paddle wheel resistance pool in 2005 for peak performance training and smooth laminar water flow for stabilised resistance physiotherapy.

"Waterco's Lacron Deep Bed MBF filters were used due to the confined area of the plantroom, however the filter's one-metre bed depth operating at 25m³/m²/hr ensures a high standard of in-depth filtration," Bishop explains. "The MBF range features sight glasses as standard for backwash viewing and a side service hatch, making it the perfect filter for the job."

Wolves Lead Soft Tissue Therapist Matt Wignall says Waterco's first-class equipment has enhanced the Premier League club's training, rehabilitation and recovery facilities. "Richard Bishop and the Aqua Thermae team managing director continue to provide myself and Wolverhampton Wanderers Football Club with impeccable service.

SwimEx president Suzanne Vaughan says the custom hand-built hot and cold plunge pools ensure premium water quality and sports deep water facilities for players. "The space and access available were a bit challenging, but by working together with AquaThermae and their water treatment partners like Waterco, and the Wolves medical and performance staff, we were able to come up with a design that suited their space perfectly," she explains. "We love working with clients to help them achieve their goals."



Waterco's aquaculture solutions boost food security

Wonjin Fisheries Co. Ltd. (South Korea)

Located on the Korean Peninsula in East Asia and surrounded by the ocean on three sides – the Yellow and East China seas, and the Sea of Japan – the Republic of Korea (known as South Korea) is blessed with an abundance of marine resources, which has resulted in a distinct fish-eating culture. .

Essential to South Korea's high-density, year-round aquaculture sector is the ability of companies like Wonjin Fisheries to maintain superior water quality and control the challenging aquaculture environment. A reliable filtration system and good control of aquaculture environment are vital as failure can be very costly to the farmers. Equipment must be low maintenance and able to withstand the harsh corrosive effects of sea water."

The filtration system set up by Wonjin Fisheries also included Waterco's MultiCyclone 70XL and MultiCyclone 16pre-filtration device, Micron MD6500 2.5 bar filter, and four units of Hydrostar MK3 three-phase commercial pumps equipped with marine grade seals.

"It operated smoothly as expected and Wonjin Fisheries' engineers found the installation process easy and the end-user was very satisfied," says the President of Wonjin Fisheries, Mr Lee Ju-Seuk.



Sea water drawn in from the coast contains high levels of debris, which need to be filtered before passing to the land-based fish tanks or raceways.



Waterco's Micron horizontal fibreglass filters are known throughout the industry for their impressive performance and reliability.

AIR IN POOL HYDRAULIC SYSTEM?

First of all, where does air come from?

- Waterline is too near to the to the suction inlet.
- Poorly designed hydraulic.
- Leakage of rubber seals and pipe connection, loose union connection...etc.

Out of all, pool hydraulic is the most dangerous of all as it is often overlooked. Many plumbers tend to undersize piping at their convenience, and incorporate lots of unnecessary bends and tee-offs. Operators, on the other hand, are not aware of the ramifications of poor hydraulic as this issue is not as pronounced as other factors.

Airlock

As the liquid is pumped, entrained air will bubble up to the high points in the piping system. As a consequence, it is possible for a pocket of air to be collected at these high points and gradually reduces the effective liquid flow area, which may create a throttling effect similar to a partially closed valve. Also, sudden compression of these air pockets can set up severe shock waves when released, with the potential for serious equipment damage.

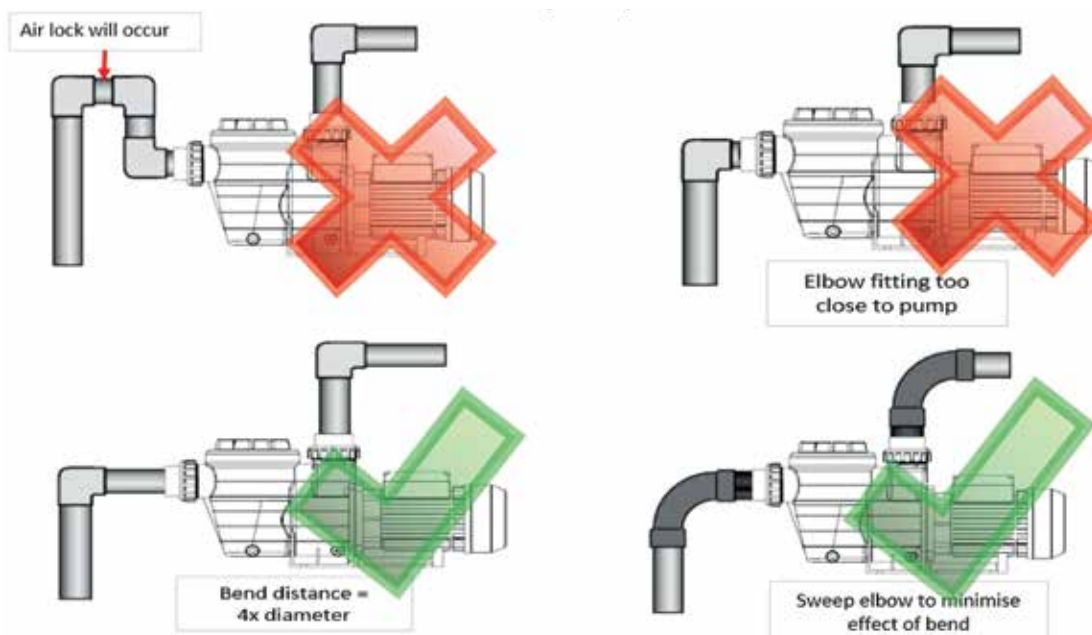
Cavitation

Pump cavitation is a destructive issue that can befall even the highest-quality pumping equipment. Often the pump itself is unfairly blamed. Cavitation occurs when air bubbles are generated due to insufficient pressure at suction end, or in technical term, insufficient Net Positive Suction Head available (NPSHa). As the liquid passes from the suction side of the impeller to the delivery side, the bubbles implode and hit the impeller.

Rules of Thumb for Good Hydraulics

- Avoid unnecessary bends especially at pump suction.
- Avoid immediate bend at pump inlet & outlet (recommended to put elbow at a distance 4 times of pipe diameter).
- Keep similar pipe size throughout plumbing system; recommended to upsize suction pipe if it is too long.
- If there are many inevitable bends in the system, try using sweep elbow - it can reduce up to 50% of head loss.

*You may refer to page 150 for product information of sweep elbow.





MULTICYCLONE

MultiCyclone 12 -----	30
MultiCyclone 16 -----	31
MultiCyclone Pro -----	32
MultiCyclone 12 & 16 Plus -----	33
MultiCyclone 12 & 16 Ultra -----	34
MultiCyclone Accessories & Consumables -----	35
MultiCyclone Auto Purge System -----	35
MultiCyclone 70XL -----	36

MULTICYCLONE Centrifugal Filters



Waterco's award winning MultiCyclone is a brilliant pre-filtration device that works on the basis of centrifugal water filtration and is designed with no moving parts and no filter media to clean or replace.

- Minimises filter maintenance and saves water
- No filter media to clean or replace
- Suitable for new and existing installations

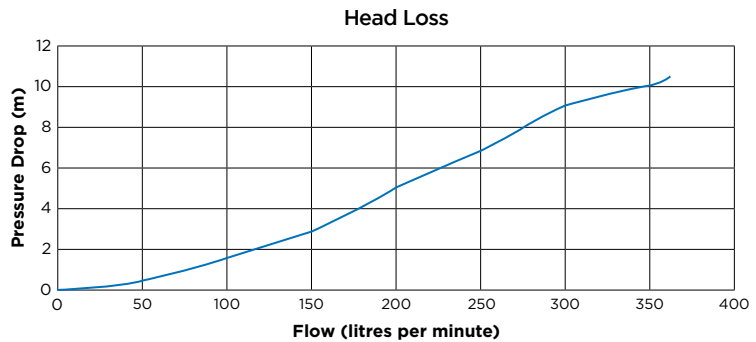


MULTICYCLONE 12

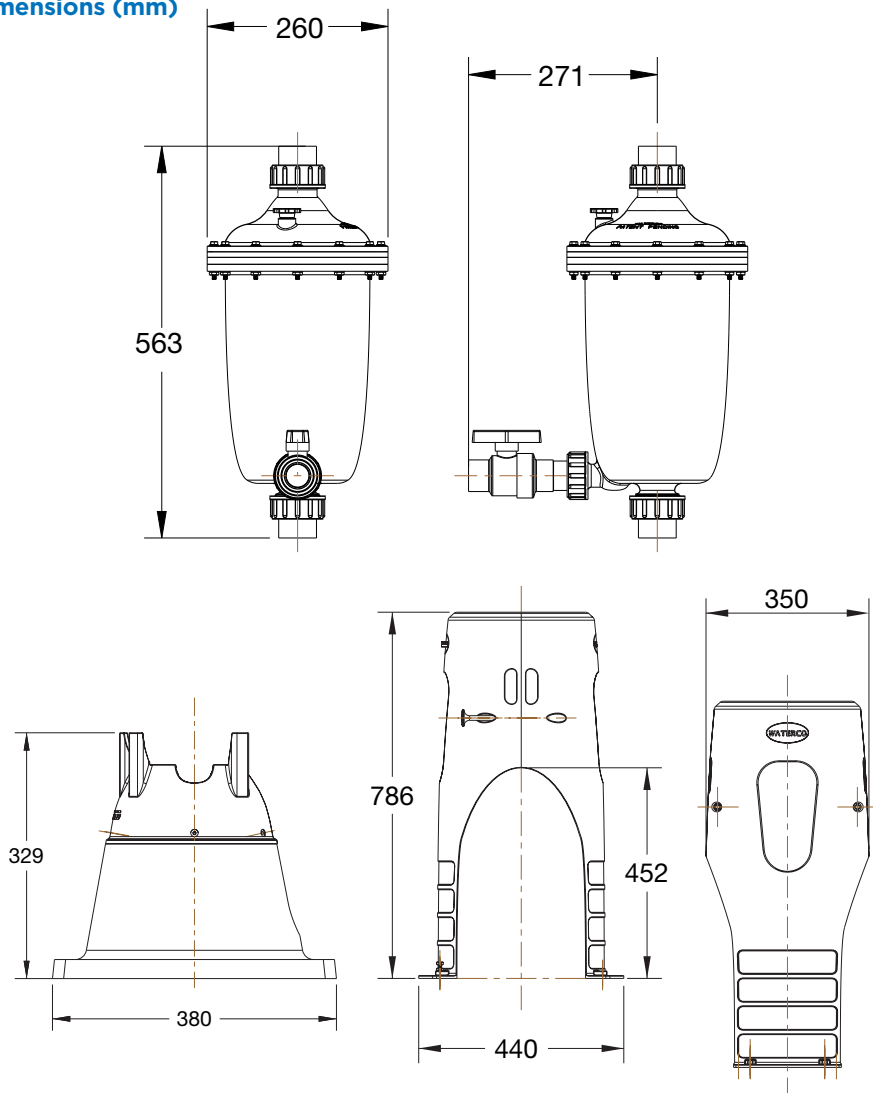
Part Number	Product Description	Nominal Size
200371	MultiCyclone 12	40mm

Specifications

Model	Hydrocyclones	Connection Ports	Minimum Flow	Maximum Flow	Maximum Pressure
MultiCyclone 12	12	40mm / 1 1/2"	40lpm / 2.4m ³ /hr	300lpm / 18m ³ /hr	350kPa (50psi)



Dimensions (mm)



MULTICYCLONE Centrifugal Filters



MultiCyclone Pump Stand



MultiCyclone Stand MKII



MULTICYCLONE 16

Part Number	Product Description	Nominal Size
200370	MultiCyclone 16	50mm

Incoming water enters hydro-cyclones tangentially, generating a strong centrifugal effect. The sediment is spun out to the hydro-cyclone's wall, and then spirals down to the sediment chamber. The filtered water migrates towards the centre of the hydro cyclone where the flow reverses and spirals upwards through the outlet.



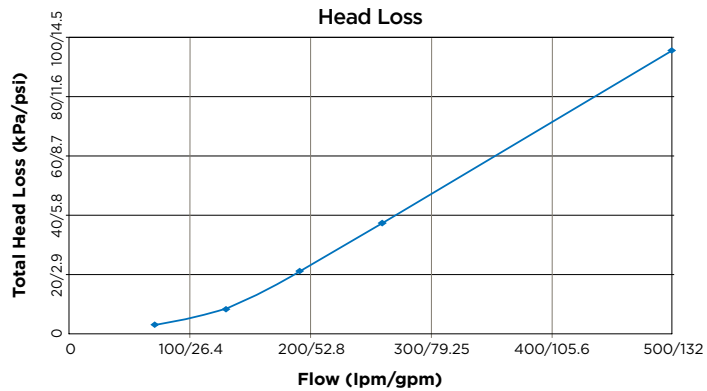
Accumulation of sediment can be visibly monitored through the MultiCyclone's clear sediment chamber.

The MultiCyclone is easily cleaned by opening the valve. Only 15 litres of water is discharged to cleanse the MultiCyclone. MultiCyclone is easy to install and fits to most existing filtration systems. There are no moving parts to wear out and replace.

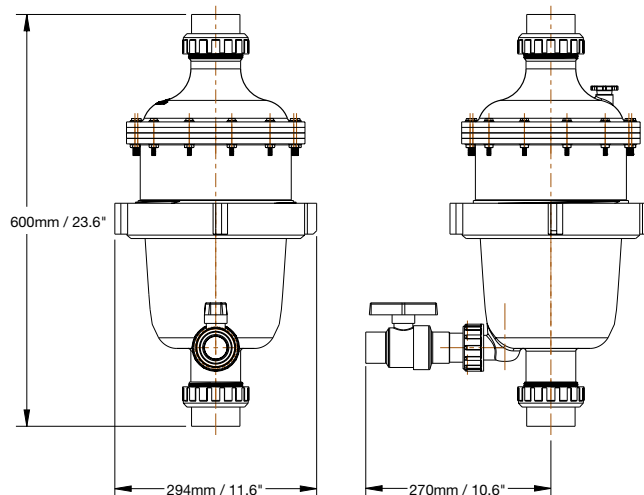


Specifications

Model	Hydrocyclones	Connection Ports	Minimum Flow	Maximum Flow	Maximum Pressure
MultiCyclone 16	16	50mm / 2"	50lpm / 3m ³ /hr	500lpm / 30m ³ /hr	350kPa (50psi)



Dimensions (mm/in)



MULTICYCLONE Centrifugal Filters



Waterco's award winning Multicyclone is a brilliant pre-filtration device that works on the basis of centrifugal water filtration and is designed with no moving parts and no filter media to clean or replace.

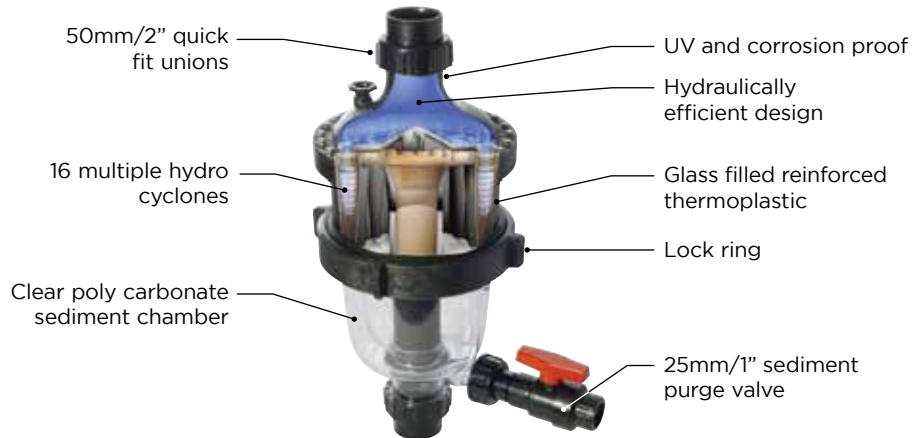
- **Specifically designed for commercial applications that require higher pressure rating**
- **Outstanding pressure rating of 690kPa (100PSI)**
- **No filter media to clean or replace**
- **Suitable for new and existing installations**
- **Minimises filter maintenance and saves water**
- **2 year warranty**



MULTICYCLONE PRO

Part Number	Product Description	Nominal Size
200385	Multicyclone Pro (7 bar)	50mm

The MultiCyclone works on the basis of centrifugal water filtration. There are no moving parts to wear and tear, and no filter media to clean or replace.



- i. Incoming water enters 16 hydro cyclones tangentially, generating a strong centrifugal effect.
- ii. The sediment is spun out to the hydro cyclone's wall, and then spirals down to the sediment chamber*.
- iii. The filtered water migrates towards the centre of the hydro cyclone where the flow reverses and spirals upwards through the outlet.
- iv. Accumulation of sediment can be visibly monitored through the MultiCyclone's clear sediment chamber.

*Note: The MultiCyclone is designed to filter sediment that is heavier than water, floating debris cannot be filtered out by centrifugal filtration.

Maintenance

The MultiCyclone is easily cleaned by opening its purge valve. Only 15 litres of water is discharged to cleanse the MultiCyclone.



MULTICYCLONE Centrifugal Filters



MC 16 PLUS

MULTICYCLONE 12 & 16 PLUS

Part Number	Product Description	Nominal Size
200376	MultiCyclone 12 Plus C40 Cartridge	40mm
200377	MultiCyclone 16 Plus C40 Cartridge	50mm

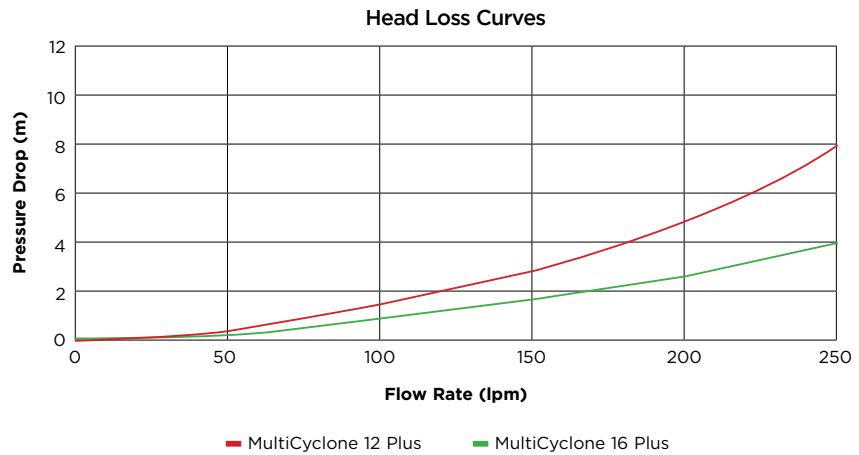
Specifications

Model	Hydrocyclones	Connection Ports	Minimum Flow	Maximum Flow	Filter Area	Maximum Pool Size	Maximum Pressure
MultiCyclone 12 Plus	12	40mm / 1 1/2"	40lpm	152lpm	3.7m ² / 40 sq.ft	73,000l	350kPa (50psi)
MultiCyclone 16 Plus	16	50mm / 2"	50lpm	152lpm	3.7m ² / 40 sq.ft	73,000l	350kPa (50psi)

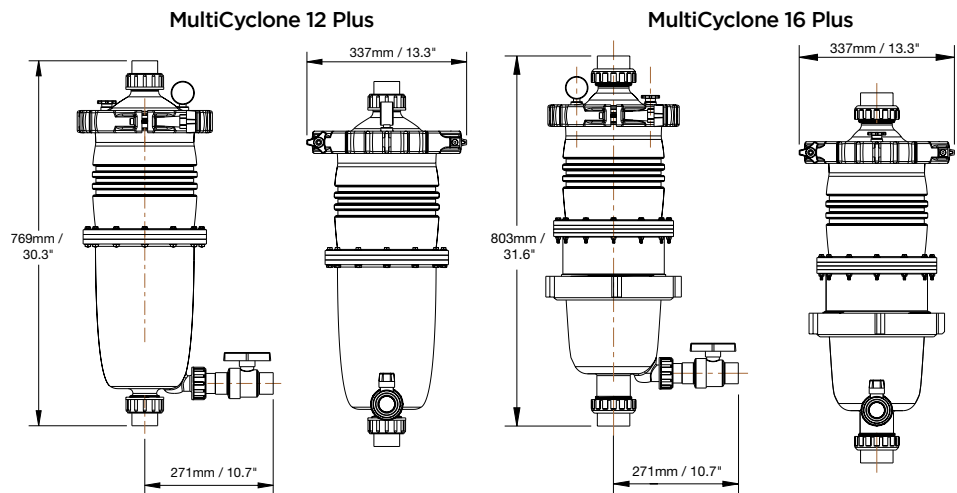
Maximum flow is limited by the surface area of the filter cartridge.
Residential Cartridge Design Filtration Rate: 41 lpm/m² (1gpm/ft²)

MultiCyclone Plus/Ultra combines centrifugal and cartridge filtration into one streamline housing, creating an ultra compact filtration system that can be vertically installed on a pool pump.

- Dual stage filtration
- Ultra compact
- Ease of maintenance



Dimensions



MULTICYCLONE Centrifugal Filters



MC 12 ULTRA




MultiCyclone Pump Stand



MultiCyclone Stand MKII



MULTICYCLONE 12 & 16 ULTRA

Part Number	Product Description	Nominal Size
200378	MultiCyclone 12 Ultra C75 Cartridge	40mm
200379	MultiCyclone 16 Ultra C75 Cartridge	50mm
200400M	Ultravac Service Trolley Malaysia	40mm
(Supastream 50 + MultiCyclone 12 Plus C40)		 <i>refer Page 140 for more info</i>

MultiCyclone Plus/Ultra combines centrifugal and cartridge filtration into one streamline housing, creating an ultra compact filtration system that can be vertically installed on a pool pump.

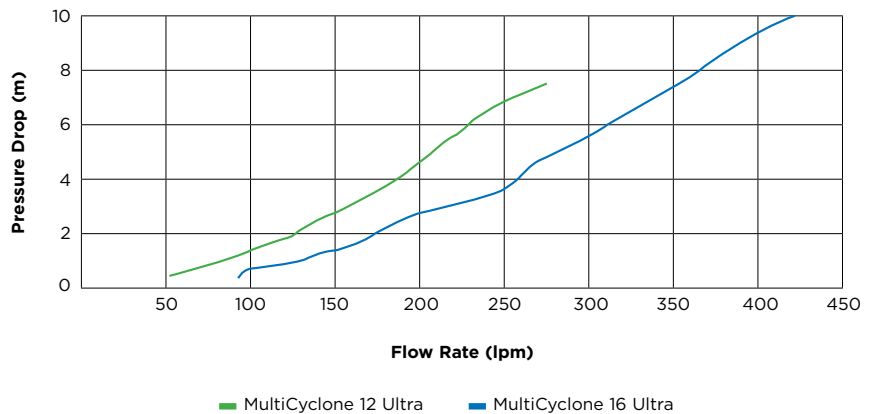
- Dual stage filtration
- Ultra compact
- Ease of maintenance

Specifications

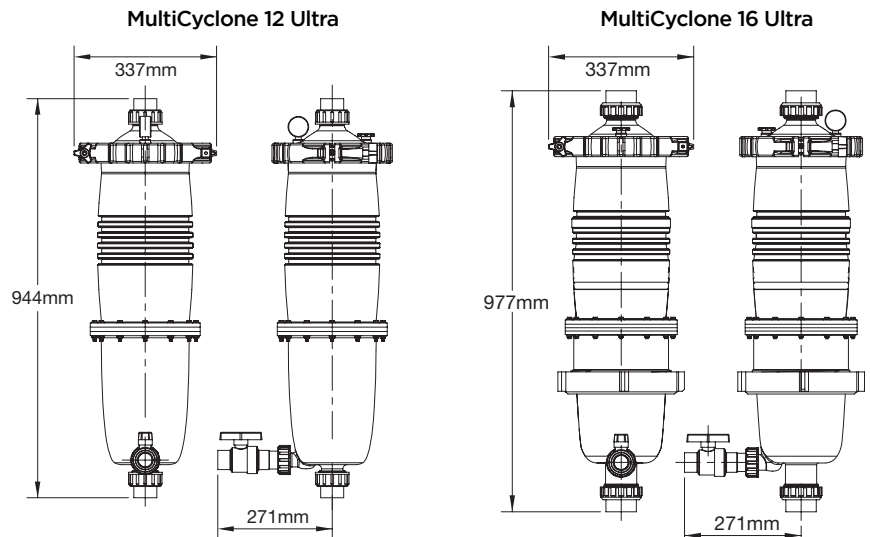
Model	Hydrocyclones	Connection Ports	Minimum Flow	Maximum Flow	Filter Area	Maximum Pool Size	Maximum Pressure
MultiCyclone 12 Ultra	12	40mm / 1 1/2"	40lpm	225lpm	6.9m ² / 75 ft ²	108,000l	350kPa (50psi)
MultiCyclone 16 Ultra	16	50mm / 2"	50lpm	280lpm	6.9m ² / 75 ft ²	134,000l	350kPa (50psi)

Maximum flow is limited by the surface area of the filter cartridge.
Residential Cartridge Design Filtration Rate: 41 lpm/m² (1gpm/ft²)

Head Loss Curves



Dimensions



MULTICYCLONE Centrifugal Filters

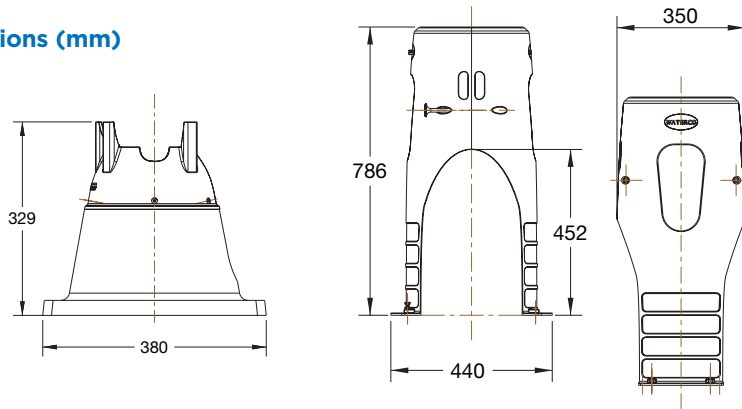


MULTICYCLONE ACCESSORIES & CONSUMABLES

Part Number	Product Description
200372	MultiCyclone Stand MKII - suitable for Plus & Ultra
2003730	MultiCyclone Stand Over Pump
62451	C40 Cartridge only (40 sq.ft)
62453	C75 Cartridge only (75 sq.ft)

Tips refer Page 64 for more info

Dimensions (mm)



Note: MultiCyclone Support Stand is suitable for most Waterco Domestic Pool Pumps. Excluding Hydrostar & all Commercial Pumps.



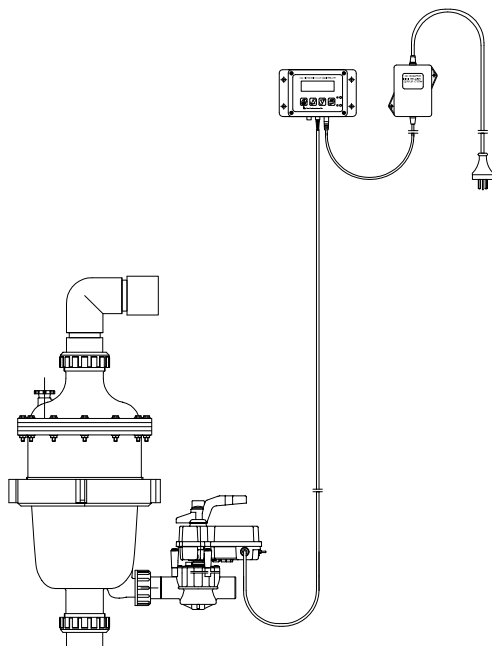
MULTICYCLONE AUTO PURGE SYSTEM

Part Number	Product Description
239073	MultiCyclone 12/16 Auto Purge System 1 Actuator
239072	MultiCyclone 12/16 Auto Purge System 2 Actuators

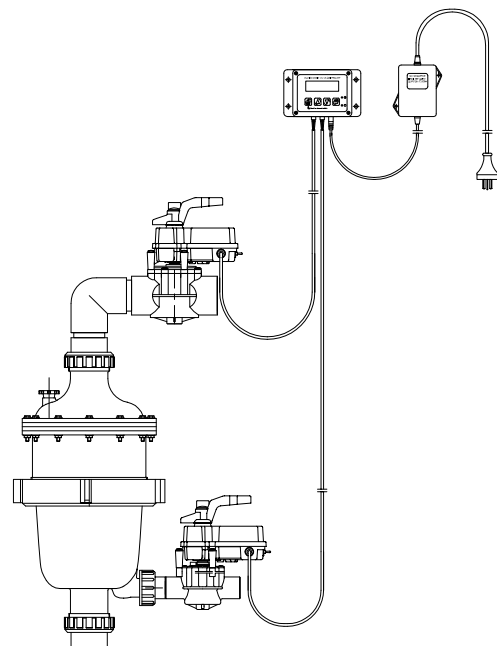
MultiCyclone Auto Purge System

The MultiCyclone Auto Purge System is designed to automatically control the purging of captured debris collected by Waterco's residential or commercial MultiCyclone's and uses the latest controller system for easy operation.

- Setable 1 to 99 day purging cycle interval
- Setable 3 to 180 second purging duration
- Setable 5 to 60 second valve rotating time, 25sec default



MultiCyclone 12/16 Auto Purge System 1 actuator



MultiCyclone 12/16 Auto Purge System 2 actuators

MULTI CYCLONE Centrifugal Filters



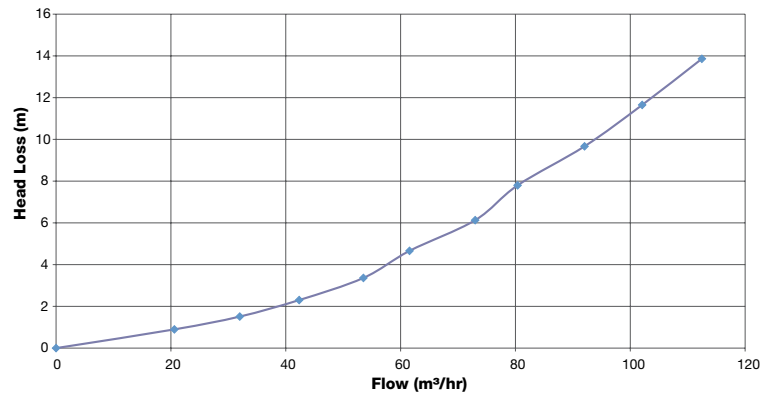
MULTICYCLONE 70XL

Part Number	Product Description	Nominal Size
200394	MultiCyclone 70XL	100mm
239070	MultiCyclone XL70 Auto Purge System 1 Actuator	

Technical Specifications

Model	Connection Ports	Minimum Flow	Maximum Flow	Maximum Pressure
MultiCyclone 70XL Commercial	100mm	36m ³ /hr	90m ³ /hr	3.5Bar/50psi/350kPa

MultiCyclone 70XL Head Loss Curve

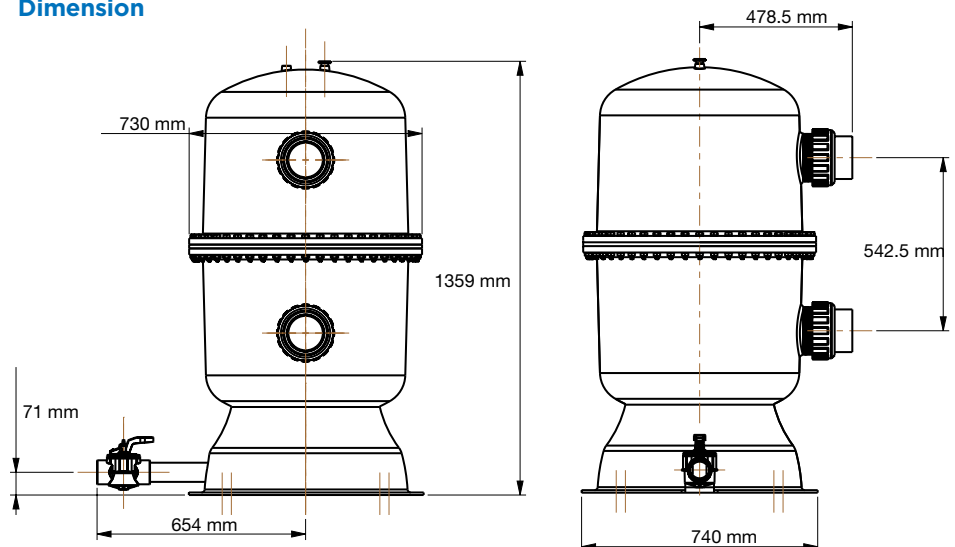


The MultiCyclone 70XL is an evolution of Waterco's MultiCyclone technology. Waterco has specially created a commercial version by increasing its number of hydrocyclones to cater for the higher flow rates and redesigned to cope with the demanding requirements of commercial installations.

The MultiCyclone 70XL has been specially created to handle larger water capacities for commercial and industrial application.

- Maximum flow rate of 90m³/hr
- Suitable for new and existing commercial installations

Dimension





Seal Sanctuary

Mablethorpe Seal Sanctuary and Nature Centre is a charity-run facility that is celebrating its 40th year of operation this year. Since its establishment in 1974, around 1000 seals have been rescued and rehabilitated in the onsite hospital. Due to nature of the organisation, it was difficult finding a suitable system to fit the budget; however, Waterco provided the products, which included an 70XL Commercial MultiCyclone, two

Micron SMDD 1050 fibreglass filters, three Hydrotuf pumps and glass media, for a reasonable cost.

Waterco's Commercial XL70 MultiCyclone has been specifically designed to handle larger water capacities, while the Micron SMDD 1050 filter improves the filtration efficiency over standard high-rate filters by providing enhanced in-depth filtration, a superior lateral under drain design and increased dirt capacity. The three Hydrotuf pumps work to reduce maintenance with its large capacity 2.25L strainer basket, making it ideal for bigger pools such as the seal pools at Mablethorpe.



70XL Commercial MultiCyclone, two Micron SMDD 1050 fibreglass filters, three Hydrotuf pumps and glass media.



With the new system, they are now more content, happy and they have a cleaner environment to live and play in.

The owners and operators of the Mablethorpe Seal Sanctuary are very happy with the installation of the Waterco filtration system. They

are now experiencing a myriad of benefits, including better water quality, not to mention having a filtration system designed specifically for the seal pools. An additional benefit is that they are now saving money through their ownership of the filtration system being used.



FILTER & MPV

FILAMENT WOUND GRANULAR FILTERS

Top Mount (S) & Side Mount (SM)
 Series----- 40
 SMD & SMDD Deep Bed Series----- 42
 Nozzle Plate SPDD Series----- 47
 Horizontal M/MD/MPD Series-----48
 Hydron Split Tank SMDDT Series----- 53

MULTIPOINT VALVES----- 54

Sweep Elbow Kits----- 55
 Pressure Gauges----- 55

THERMOPLASTIC FILTERS

Exotuf & Exotuf Plus Top Mount-----56

BAG & CARTRIDGE FILTERS

Trimline Leaf Trapper-----58
 Trimline Cartridge Filters----- 59
 Commandomatic TCF Filters----- 60
 Trimline Bag Filter (TBF)----- 61
 Opal Cartridge Filter----- 62
 Fulflo Tri-Cartridge Filters-----63
 Top Load Filter----- 64
 Multicyclone Plus & Ultra----- 64
 Fulflo DE Filter----- 65

DRINKING WATER PURIFIERS----- 66

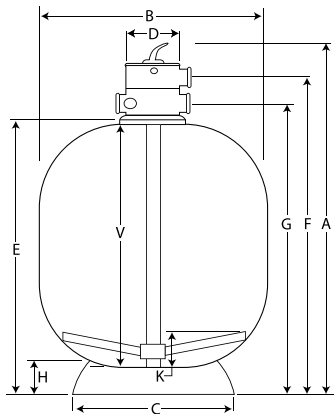
BIOLOGICAL FILTER

Aquabiome Skids----- 67
 Clearpond Series Filter-----69

WATER TREATMENT FILTERS

W250 - WD900----- 70
 Micron Pro Series Filter----- 74
 Aquacrystal Series Filter-----75
 Iron-X Series Filter-----76
 Chlorfree Series Filter-----77

Filament Wound Granular Filters



MICRON TOP MOUNT FIBREGLASS FILTERS with Fish Tail Laterals

Part Number	Product Description	Nominal Size
22022	S500 c/w 40mm MPV	20"
22024	S600 c/w 40mm MPV	24"
220251	S602 c/w 50mm MPV	24"
22028	S700 c/w 40mm MPV	28"
22029	S702 c/w 50mm MPV	28"
22030	S750 c/w 50mm MPV	30"
22032	S800 c/w 50mm MPV	32"
22036	S900 c/w 50mm MPV	36"
220140	S1000 c/w 50mm MPV	40"
2204265	S1050 c/w 65mm MPV	42"
2204865	S1200 c/w 65mm MPV	48"
22014816	S1200 c/w 80mm MPV	48"

2.5 bar pressure rating; 4 bar available upon request

Waterco's digitally controlled filament winding machine faultlessly winds continuous strands of high quality fibreglass filament under controlled tension filament to create a seamless one-piece vessel with refined consistency and superior quality. There are no welds or seams or special tank linings which can corrode or electrolyse.

Micron media filter features an hydraulically efficient lateral system, which facilitates energy and water savings.

- Fish Tail lateral system - hydraulically balanced flow and backwashing
- Water savings up to 30%
- Ideal for low powered and energy efficient pumps
- Corrosion and UV resistant
- Pressure rated at 250kPa; 400kPa available upon request

Specifications

Filter Model	Valve Size	Inner Diameter	Filter Area	Bed Depth	Filtration Flow Rate	Max. Flow	Media Volume	Glass Pearls	Ecopure Glass	Sand 16/30	Zeoplus 0.6-1.2mm
	mm	mm	m ²	mm	lpm	lpm	L	kg	kg	kg	kg
S500	40	500	0.20	280	120	160	65	105	86	95	78
S600	40	600	0.28	295	168	224	106	171	141	155	127
S602	50	600	0.28	295	168	224	106	171	141	155	127
S700	40	700	0.38	340	228	304	158	254	210	231	190
S702	50	700	0.38	340	228	304	154	248	205	225	185
S750	50	750	0.44	340	264	352	175	282	233	256	210
S800	50	800	0.50	420	300	400	233	375	310	340	280
S900	50	900	0.64	420	384	512	322	518	428	470	386
S1000	50	1000	0.79	480	474	632	438	705	583	639	526
S1050	65	1050	0.87	510	522	696	503	810	669	734	604
S1200	65	1200	1.13	580	678	904	736	1185	979	1075	883
S1200	80	1200	1.13	580	678	904	760	1224	1011	1110	912

Filtration flow rate is based on 36m³/hr/m²; Max flow rate is based on a velocity of 48m³/hr/m²

Dimension - Micron Top Mount (mm)

Model	Valve Size	A	B	C	D	E	F	G	H	V	K
S500	40	864	505	484	180	625	731	672	88	525	94
S600	40	968	622	484	180	721	832	778	88	620	136
S602	50	1085	622	484	220	735	905	805	88	630	143
S700	40	932	723	620	180	692	801	743	90	650	139
S702	50	1072	723	620	220	722	892	792	90	652	122
S750	50	1217	772	620	220	867	1037	937	90	773	127
S800	50	1157	810	620	220	807	977	877	90	713	111
S900	50	1234	910	620	220	884	1054	954	90	785	163
S1000	50	1384	1010	678	220	1034	1204	1104	120	888	164
S1050	65	1490	1077	1045	264	1090	1316	1183	176	940	163
S1200	65	1615	1210	1045	264	1215	1441	1308	176	1040	173
S1200	80	1947	1232	1045	301	1455	1675	1566	176	1200	200

All figure tolerance 1%; Subject to modification.

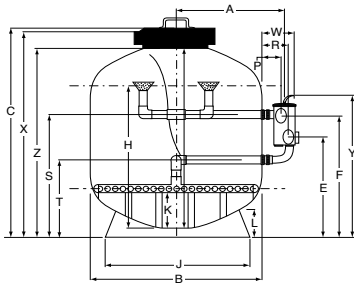
Filament Wound Granular Filters



MICRON SIDE MOUNT FIBREGLASS FILTERS with Multiport Valve

Part Number	Product Description	Nominal Size
22082015	SM500 8" neck c/w 40mm MPV	20"
22082415	SM600 8" neck c/w 40mm MPV	24"
22082850	SM700 8" neck c/w 40mm MPV	28"
220830152	SM750 8" neck c/w 50mm MPV	30"
220836152	SM900 8" neck c/w 50mm MPV	36"
22004265	SM1050 c/w 65mm MPV	42"
22004280	SM1050 c/w 80mm MPV	42"
22004865	SM1200 c/w 65mm MPV	48"
220048	SM1200 c/w 80mm MPV	48"
220056	SM1400 c/w 80mm MPV	56"
22006480	SM1600 c/w 80mm MPV	64"
220064	SM1600 c/w 100mm MPV	64"

2.5 Bar pressure rating; high pressure options available upon request



Waterco's digitally controlled filament winding machine faultlessly winds continuous strands of high quality fibreglass filament under controlled tension to create a seamless one-piece vessel with refined consistency and superior quality. There are no welds or seams or special tank linings which can corrode or electrolyse.

Micron media filter features an hydraulically efficient lateral system, which facilitates energy and water savings.

- Fish Tail lateral system - hydraulically balanced flow and backwashing
- Water savings up to 30%
- Ideal for low powered and energy efficient pumps
- Corrosion and UV resistant
- Pressure rated at 250kPa; high pressure options available upon request

Specifications

Filter Model	Valve Size	Inner Diameter	Filter Area	Bed Depth	Filtration Flow Rate	Max. Flow	Media Volume	Glass Pearls	Ecopure Glass	Sand 16/30	Zeoplus 0.6-1.2mm
	mm	mm	m ²	mm	lpm	lpm	L	kg	kg	kg	kg
SM500	40	500	0.20	290	120	160	65	105	86	95	78
SM600	40	600	0.28	360	168	224	113	182	150	165	136
SM700	40	700	0.38	380	228	304	164	264	218	239	197
SM750	50	750	0.44	400	264	352	195	314	259	285	234
SM900	50	900	0.64	440	384	512	301	485	400	439	361
SM1050	65	1050	0.87	470	522	696	432	696	575	631	518
SM1050	80	1050	0.87	470	522	696	432	696	575	631	518
SM1200	65	1200	1.13	580	678	904	705	1135	938	1029	846
SM1200	80	1200	1.13	580	678	904	705	1135	938	1029	846
SM1400	80	1400	1.54	670	924	1232	1130	1819	1503	1650	1356
SM1600	80	1600	2.01	670	1206	1608	1483	2388	1972	2165	1780
SM1600	100	1600	2.01	670	1206	1608	1483	2388	1972	2165	1780

Filtration flow rate is based on 36m³/hr/m²; Max flow rate is based on a velocity of 48m³/hr/m²

Dimension - Micron Side Mount (mm)

Model	Valve Size	A	B	C	W	R	P	E	F	K	V	H	L	X	Y	Z	J	S	T
SM500	40	475	520	846	306	249	171	485	539	100	652	585	70	813	683	740	445	485	282
SM600	40	526	622	906	306	249	171	520	574	105	690	601	87	873	718	800	484	520	317
SM700	40	587	719	941	334	262	191	520	622	120	728	685	90	908	779	835	620	520	317
SM750	50	613	772	976	334	262	191	541	643	113	763	652	90	943	800	870	620	541	337
SM900	50	689	923	1086	334	262	191	591	693	113	860	750	90	1053	850	980	620	591	387
SM1050	65	796	1077	1273	389	298	193	772	898	120	985	880	176	1241	1082	1165	1045	772	472
SM1050	80	900	1077	1244	510	363	548	790	900	120	980	880	176	1159	1172	1089	1045	790	435
SM1200	65	873	1232	1520	389	298	193	916	1042	190	1191	1022	176	1489	1226	1413	1045	916	616
SM1200	80	978	1232	1485	510	363	548	952	1062	150	1145	982	176	1400	1334	1330	1045	952	596
SM1400	80	1083	1442	1608	510	363	548	998	1108	190	1217	1065	218	1523	1380	1453	1202	998	642.4
SM1600	80	1184	1644	1875	510	363	548	1101	1211	205	1520	1220	218	1790	1483	1720	1202	1101	745.4
SM1600	100	1765	1644	1875	943	474	629	707	369	205	1520	1300	218	1790	707	1720	1202	1139	707.2

All figure tolerance 1%; Subject to modification.

Filament Wound Granular Filters

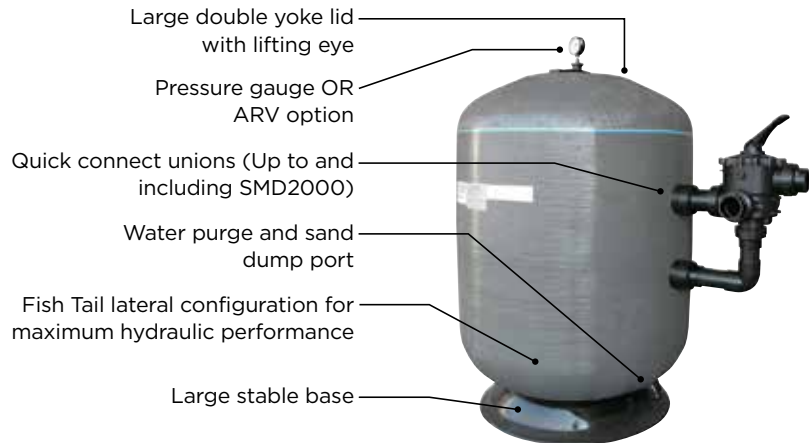


MICRON SIDE MOUNT DEEP BED FILTERS (SMD)

1000mm filter bed depth ranges from 2.5 up to 10bar

The effect of deep media bed improves the filtration efficiency over standard high-rate filters by providing enhanced in-depth filtration and increased dirt capacity. In addition, the greater bed depth permits efficient use of mixed bed filter media and water treatment media such as granular activated carbon.

The filter's 1000mm media bed ensures that finer dirt particles and colloidal substances are retained to a far greater level than a filter with shallower bed depth.



- 1m bed depth
- Ultra smooth bobbin finish
- Available in 2.5 bar, 4 bar, 6 bar, 8 bar and up to 10 bar pressure ratings
- Vynylester resin coating available
- Quick connect unions
- Nozzle plate available upon request

Specifications

Filter Model	Port Size mm	Bed Depth mm	Inner Diameter mm	Filter Area m ²	Filtration Flow Rates		Backwash Flow Rates		Media Volume L	Sand 16/30 kg	Glass Pearls 0.6-0.8 kg
					30m ³ /hr/m ²	36m ³ /hr/m ²	40m ³ /hr/m ²	50m ³ /hr/m ²			
					m ³ /hr		m ³ /hr				
SMD750	50	1000	750	0.44	13.2	15.8	17.6	22.0	459	670	739
SMD900	50	1000	900	0.64	19.2	23.0	25.6	32.0	658	961	1059
SMD900	65	1000	900	0.64	19.2	23.0	25.6	32.0	699	1021	1125
SMD900	80	1000	900	0.65	19.5	23.4	26.0	32.5	695	1015	1119
SMD1050	65	1000	1050	0.87	26.1	31.3	34.8	43.5	973	1421	1567
SMD1050	80	1000	1050	0.87	26.1	31.3	34.8	43.5	966	1410	1555
SMD1200	80	1000	1200	1.13	33.9	40.7	45.2	56.5	1175	1716	1892
SMD1200	100	1000	1200	1.13	33.9	40.7	45.2	56.5	1192	1740	1919
SMD1400	80	1000	1400	1.54	46.2	55.4	61.6	77.0	1723	2516	2774
SMD1400	100	1000	1400	1.54	46.2	55.4	61.6	77.0	1637	2390	2636
SMD1600	80	1000	1600	2.01	60.3	72.4	80.4	100.5	2171	3170	3495
SMD1600	100	1000	1600	2.01	60.3	72.4	80.4	100.5	2092	3054	3368
SMD1800	100	1000	1800	2.54	76.2	91.4	101.6	127.0	2880	4205	4637
SMD1800	150	1000	1800	2.54	76.2	91.4	101.6	127.0	2904	4240	4675
SMD2000	100	1000	2000	3.14	94.2	113.0	125.6	157.0	3521	5141	5669
SMD2000	150	1000	2000	3.14	94.2	113.0	125.6	157.0	3490	5095	5619

* Recommended maximum flow rates for port size :

50mm/63mm (EU), 510 lpm, 30.6 m³/hr
100mm/110mm (EU), 1800 lpm, 108 m³/hr

65mm/75mm (EU), 760 lpm, 45.6 m³/hr
150mm/160mm (EU), 3420 lpm, 205.2 m³/hr

80mm/90mm (EU), 1080 lpm, 64.8 m³/hr

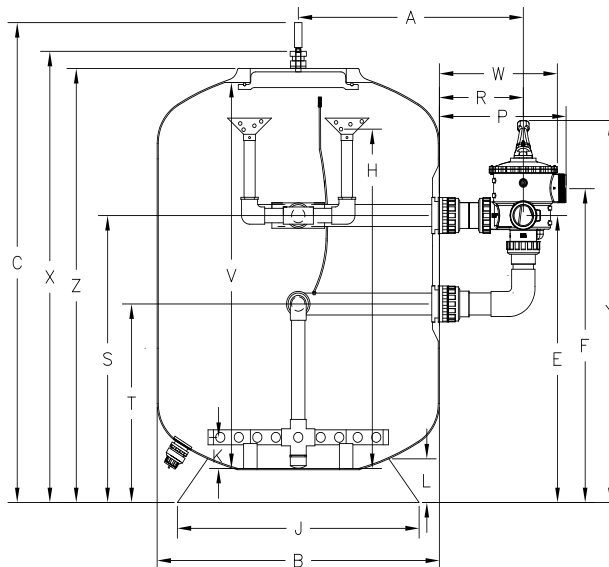
Filament Wound Granular Filters

Dimension - SMD (mm)

Model	Port Size	A	B	C	W	R	P	E	F	K	V	H	L	X	Y	Z	J	S	T
SMD750	50	613	772	1689	334	262	191	1226	1328	113	1425	1363	120	1656	1485	1583	678	1226	1023
SMD900	50	689	923	1762	334	262	191	1274	1376	113	1455	1363	155	1729	1533	1656	735	1274	1071
SMD900	65	719	923	1918	389	298	193	1300	1426	223	1580	1473	155	1833	1610	1763	735	1300	1000
SMD900	80	824	923	1918	510	363	548	1406	1516	190	1580	1440	155	1833	1788	1763	735	1406	1050
SMD1050	65	796	1110	1930	389	298	193	1044	1170	220	1605	1470	176	1845	1354	1775	1045	1044	744
SMD1050	80	918	1110	1930	510	363	548	1100	1210	220	1605	1470	176	1845	1482	1775	1045	1100	744
SMD1200	80	977	1229	1935	510	363	548	1154	1264	150	1590	1400	176	1850	1536	1780	1045	1154	798
SMD1200	100	1558	1229	1935	943	474	629	760	422	180	1590	1430	176	1850	760	1780	1045	1192	760
SMD1400	80	1083	1442	1955	510	363	548	1204	1314	250	1615	1500	218	1870	1586	1800	1202	1204	848
SMD1400	100	1664	1442	1955	943	474	629	810	472	200	1615	1450	218	1870	810	1800	1202	1242	810
SMD1600	80	1184	1644	1994	510	363	548	1151	1261	220	1615	1500	218	1909	1533	1839	1202	1151	795
SMD1600	100	1765	1644	1994	943	474	629	757	419	180	1615	1430	218	1909	757	1839	1202	1189	757
SMD1800	100	1863	1839	1985	943	474	629	751	413	225	1710	1475	315	1900	751	1830	1755	1183	751
SMD1800	150	-	1839	1985	-	-	-	-	-	320	1710	1570	315	1900	-	1830	1755	1168	685
SMD2000	100	1964	2042	2063	943	474	629	758	420	300	1765	1550	245	1978	758	1908	1755	1190	758
SMD2000	150	-	2042	2063	-	-	-	-	-	300	1765	1550	245	1978	-	1908	1755	1215	732

All figure tolerance 1%; Subject to modification.

Thinking that our fibreglass filter can only be used in swimming pool? Have a read on how our SM series filter improve water clarity in marine aquarium at page 46.



Filament Wound Granular Filters



MICRON SIDE MOUNT DEEP BED FILTERS (SMDD)

1200mm filter bed depth ranges from 2.5 to 10bar

The effect of deep media bed improves the filtration efficiency over standard High-rate filters by providing enhanced in-depth filtration and increased dirt capacity. In addition, the greater bed depth permits efficient use of mixed bed filter media and water treatment media such as granular activated carbon.

The filter's 1200mm media bed ensures that finer dirt particles and colloidal substances are retained to a far greater level than a filter with a shallower bed depth.



- 1.2m bed depth
- Ultra smooth bobbin finish
- Available in 2.5, 4, 6, 8 and 10bar pressure ratings
- Vynylester resin coating available
- Flanged connections
- Nozzle plate version (SPDD)

Specifications

Filter Model	Port Size	Bed Depth	Inner Diameter	Filter Area	Filtration Flow Rates		Backwash Flow Rates		Media Volume	Sand 16/30	Glass Pearls 0.6-0.8
	mm	mm	mm	m ²	30m ³ /hr/m ²	36m ³ /hr/m ²	40m ³ /hr/m ²	50m ³ /hr/m ²	L	kg	kg
					m ³ /hr		m ³ /hr				
SMDD600	40	1200	600	0.28	8.4	10.1	11.2	14.0	360	525	579
SMDD750	50	1200	750	0.44	13.2	15.8	17.6	22.0	545	795	877
SMDD900	50	1200	900	0.64	19.2	23.0	25.6	32.0	784	1145	1263
SMDD900	65	1200	900	0.64	19.2	23.0	25.6	32.0	784	1145	1263
SMDD900	80	1200	900	0.64	19.2	23.0	25.6	32.0	822	1200	1323
SMDD1050	65	1200	1050	0.87	26.1	31.3	34.8	43.5	1144	1670	1842
SMDD1050	80	1200	1050	0.87	26.1	31.3	34.8	43.5	1140	1665	1836
SMDD1200	65	1200	1200	1.13	33.9	40.7	45.2	56.5	1442	2105	2321
SMDD1200	80	1200	1200	1.13	33.9	40.7	45.2	56.5	1401	2045	2255
SMDD1200	100	1200	1200	1.13	33.9	40.7	45.2	56.5	1414	2065	2277
SMDD1400	80	1200	1400	1.54	46.2	55.4	61.6	77.0	2031	2965	3270
SMDD1400	100	1200	1400	1.54	46.2	55.4	61.6	77.0	1945	2840	3132
SMDD1600	80	1200	1600	2.01	60.3	72.4	80.4	100.5	2548	3720	4102
SMDD1600	100	1200	1600	2.01	60.3	72.4	80.4	100.5	2524	3685	4064
SMDD1800	100	1200	1800	2.54	76.2	91.4	101.6	127.0	3192	4660	5139
SMDD1800	150	1200	1800	2.54	76.2	91.4	101.6	127.0	3408	4975	5486
SMDD2000	100	1200	2000	3.14	94.2	113.0	125.6	157.0	4147	6055	6677
SMDD2000	150	1200	2000	3.14	94.2	113.0	125.6	157.0	4171	6090	6716
SMDD2200	150	1200	2200	3.80	114.0	136.8	152.0	190.0	5223	7625	8408
SMDD2350	150	1200	2350	4.34	130.2	156.2	173.6	217.0	5808	8480	9351
SMDD2500	150	1200	2500	4.91	147.3	176.8	196.4	245.5	6538	9545	10526
SMDD3000	200	1200	3000	7.07	212.1	254.5	282.8	353.5	9589	14000	15438

* Recommended maximum flow rates for port size :

50mm/63mm (EU), 510 lpm, 30.6 m³/hr
100mm/110mm (EU), 1800 lpm, 108 m³/hr

65mm/75mm (EU), 760 lpm, 45.6 m³/hr

150mm/160mm (EU), 3420 lpm, 205.2 m³/hr

80mm/90mm (EU), 1080 lpm, 64.8 m³/hr

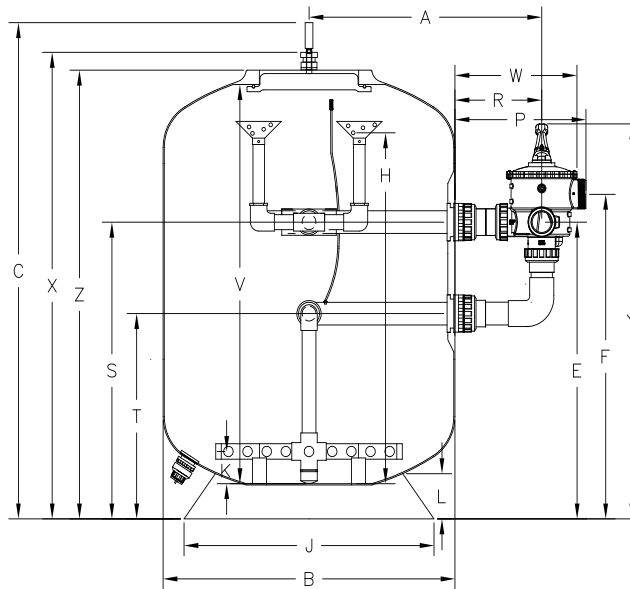
200mm/200mm(EU), 6720 lpm, 403.2m³/hr

Filament Wound Granular Filters

Dimension - SMDD (mm)

Model	Port Size	A	B	C	W	R	P	E	F	K	V	H	L	X	Y	Z	J	S	T
SMDD600	40	527	623	1974	306	249	171	1546	1600	136	1740	1736	88	1941	1744	1868	540	1546	1343
SMDD750	50	613	772	2044	334	262	191	1586	1688	113	1780	1713	120	2011	1845	1938	678	1586	1383
SMDD900	50	689	923	2107	334	262	191	1619	1721	113	1800	1713	155	2074	1878	2001	735	1619	1416
SMDD900	65	719	923	2268	389	298	193	1624	1750	223	1930	1823	155	2183	1934	2113	735	1624	1324
SMDD900	80	824	923	2268	510	363	548	1680	1790	190	1930	1780	155	2183	2062	2113	735	1680	1324
SMDD1050	65	796	1110	2270	389	298	193	1594	1720	220	1950	1820	176	2185	1904	2115	1045	1594	1294
SMDD1050	80	918	1110	2270	510	363	548	1650	1760	220	1950	1820	176	2185	2032	2115	1045	1650	1294
SMDD1200	65	873	1229	2243	389	298	193	1609	1735	190	1900	1790	176	2158	1919	2088	1045	1609	1309
SMDD1200	80	977	1229	2243	510	363	548	1665	1775	150	1900	1750	176	2158	2047	2088	1045	1665	1309
SMDD1200	100	1558	1229	2243	943	474	629	883	545	180	1900	1780	176	2158	883	2088	1045	1315	883
SMDD1400	80	1083	1442	2313	510	363	548	1618	1728	250	1970	1860	218	2228	2000	2158	1202	1618	1262
SMDD1400	100	1664	1442	2313	943	474	629	898	560	200	1975	1800	218	2228	898	2158	1202	1330	898
SMDD1600	80	1184	1644	2285	510	363	548	1383	1493	205	1950	1805	218	2200	1765	2130	1202	1382.7	1027
SMDD1600	100	1765	1644	2285	943	474	629	989	651	200	1950	1800	218	2200	989	2130	1202	1420.8	989
SMDD1800	100	1863	1839	2260	943	474	629	866	528	210	2010	1810	315	2175	866	2105	1755	1298	866
SMDD1800	150	-	1839	2260	-	-	-	-	-	320	2010	1920	315	2175	-	2105	1755	1382.6	900
SMDD2000	100	1964	2042	2398	943	474	629	878	540	300	2100	1900	245	2313	878	2243	1755	1310	878
SMDD2000	150	-	2042	2398	-	-	-	-	-	320	2100	1920	245	2313	-	2243	1755	1310	827
SMDD2200	150	-	2245	2415	-	-	-	-	-	380	2090	1980	245	2330	-	2260	1755	1386	903
SMDD2350	150	-	2390	2435	-	-	-	-	-	355	2118	1955	340	2330	-	2330	2037	1500	1017
SMDD2500	150	-	2575	2510	-	-	-	-	-	355	2190	1955	340	2405	-	2405	2037	1494	1011
SMDD3000	200	-	3045	2890	-	-	-	-	-	465	2490	2065	417	2785	-	2785	2660	1688	1205

All figure tolerance 1%; Subject to modification.





Waterco USA Commercial Water Treatment

Florida Keys Aquarium Encounters (USA)



Interactive exhibits inspire marine conservationism

Florida Keys Aquarium Encounters (USA)

Florida Keys Aquarium Encounters and its sister company, Dynasty Marine Associates Inc., in the US is an industry leader in the field of capture, transport and relocation of sharks, tropical fish, and other marine sea life for aquariums and private businesses around the world.

The entire park is set up as one massive interactive learning center, which aims to cultivate a better understanding of the conservation of the unique marine environment found in the Florida Keys.

Impressed by the lateral design of Waterco's Micron Side Mount Filters, which eliminate "dead legs" by improving water flow distribution through the filter bed, Florida Keys Aquarium Encounters installed 15 Micron Side Mount SM900 Filters with valves.

"Having crystal clear, sparkling water was imperative for our guests to have a great, authentic experience, so we knew we needed to go with the best sand filter we could find that would work within our specifications - that is why we chose Waterco," says Director Ben Daughtry.

"Waterco's filters have really helped us to maintain the best water clarity in our systems and with their high performance, it keeps our time dealing with life support systems to a minimum," explains Husbandry and LSS manager Andy Dobrowolski.



Waterco's Micron Commercial Fibreglass Filters are made from continuous strands of high quality fibreglass filament wound under controlled tension to create a seamless, impervious vessel.

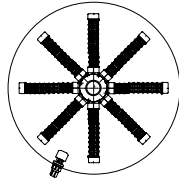
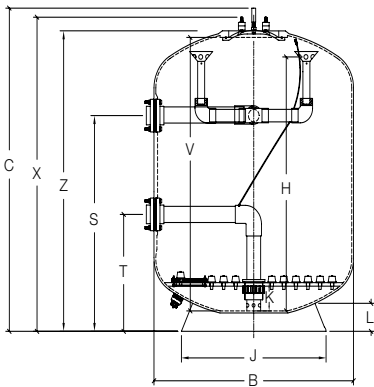
Filament Wound Granular Filters

MICRON NOZZLE PLATE SIDE MOUNT DEEP BED FILTERS (SPDD)

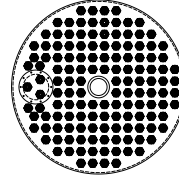
1200mm filter bed depth ranges from 2.5 to 10bar

Micron SPDD filters are fitted with a plate and nozzle system, which ensures uniform flow for both filtering and backwashing, ensuring maximum performance through the media bed.

The nozzle plate system also allows the introduction of pressurised air directly into the bottom of the filter media. Uniform introduction of air and water through the nozzle plate provides vigorous agitation and filter media bed expansion required for an effective air/water backwash leading to reduced backwash duration and reduced volumes of water. Save up to 25% of backwash water.



Conventional lateral configuration



Nozzle plate configuration



Nozzle Plate under drain system



Internal Nozzle Plate Service Hatch

Specifications

Filter Model	Port Size mm	Bed Depth mm	Inner Diameter mm	Filter Area m ²	Filtration Flow Rates		Backwash Flow Rates		Media Volume L	Sand 16/30 kg	Glass Pearls 0.6-0.8 kg
					30m ³ /hr/m ²	36m ³ /hr/m ²	40m ³ /hr/m ²	50m ³ /hr/m ²			
					m ³ /hr		m ³ /hr				
SPDD900	80	1200	900	0.64	19.2	23.0	25.6	32.0	750	1095	1208
SPDD1050	80	1200	1050	0.87	26.0	31.2	34.6	43.3	1017	1485	1638
SPDD1200	80	1200	1200	1.13	33.9	40.7	45.2	56.5	1322	1930	2128
SPDD1200	100	1200	1200	1.13	33.9	40.7	45.2	56.5	1322	1930	2128
SPDD1400	100	1200	1400	1.54	46.2	55.4	61.6	77.0	1808	2640	2911
SPDD1600	100	1200	1600	2.01	60.3	72.4	80.4	100.5	2366	3455	3810
SPDD1800	150	1200	1800	2.54	76.3	91.6	101.8	127.2	2966	4330	4775
SPDD2000	150	1200	2000	3.14	94.2	113.1	125.7	157.1	3671	5360	5911
SPDD2350	150	1200	2350	4.34	130.1	156.1	173.5	216.9	5089	7430	8193
SPDD2500	150	1200	2500	4.91	147.3	176.7	196.3	245.4	5760	8410	9274
SPDD3000	200	1200	3000	7.07	212.1	254.5	282.7	353.4	7997	11676	12875

* Recommended maximum flow rates for port size :
 80mm/90mm (EU), 1080 lpm, 64.8 m³/hr 100mm/110mm (EU), 1800 lpm, 108 m³/hr 150mm/160mm (EU), 3420 lpm, 205.2 m³/hr
 200mm/200mm(EU), 6720 lpm, 403.2m³/hr

Dimension - SPDD (mm)

Model	Port Size	B	C	K	V	H	L	X	Z	J	S	T
SPDD900	80	923	2368	190	1930	1780	155	2183	2113	735	1680	1324
SPDD1050	80	1110	2370	220	1950	1820	176	2185	2115	1045	1650	1294
SPDD1200	80	1229	2343	180	1900	1750	176	2158	2088	1045	1665	1309
SPDD1200	100	1229	2343	180	1900	1750	176	2158	2088	1045	1315	883
SPDD1400	100	1442	2313	200	1975	1800	218	2228	2158	1202	1330	898
SPDD1600	100	1644	2385	200	1950	1800	218	2200	2130	1202	1421	989
SPDD1800	150	1839	2360	320	2010	1920	315	2175	2105	1755	1383	900
SPDD2000	150	2042	2498	320	2100	1920	245	2313	2243	1755	1310	827
SPDD2350	150	2390	2585	355	2118	1955	340	2330	2330	2037	1500	1017
SPDD2500	150	2575	2660	355	2190	1955	340	2405	2405	2037	1494	1011
SPDD3000	200	3040	3061	465	2495	2065	419	2871	2760	2660	1746	1146

All figure tolerance 1%; Subject to modification.

Filament Wound Granular Filters



MICRON COMMERCIAL HORIZONTAL FILAMENT WOUND FILTER

Micron Horizontal vessels are also available with a nozzle plate. The nozzle plate provides even distribution of air scouring and backwashing.

For the ultimate filtration solution of large filter bed area and effective backwashing, Micron Horizontal Nozzle Plate vessels are the perfect choice.

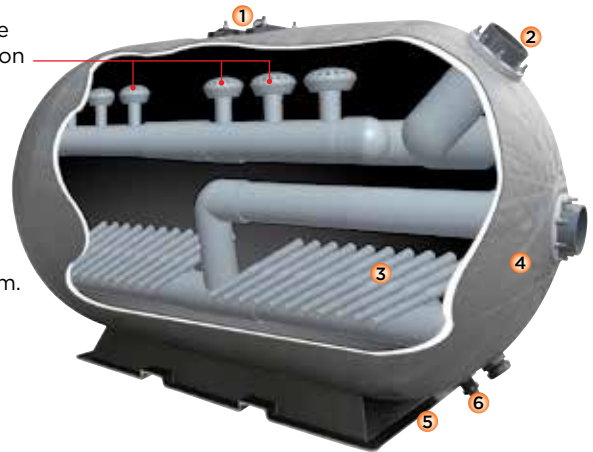
Micron Horizontal's lateral system reduces backwash run times, saves water and produces flatter more uniform filter media bed after backwashing.



Internal plumbing & laterals

Micron Horizontal filters include hydraulically efficient distribution manifolds, ensuring balanced circulation and filtration.

- 1 Elliptical positive sealing manways.
- 2 Flanged port of up to 10".
- 3 Hydraulically balanced distribution and lateral system.
- 4 Fibreglass wound tank, UV and corrosion resistant.
- 5 Large stable filter base for stable floor mounting.
- 6 Manual drain.



The Micron Horizontal Filter is a space-saving high performer; its compact horizontal design allows installation with minimum waste of space. The shape of the Micron Horizontal filter is both attractive and functional. The spherical ends are designed to give uniform flow from both inlet and outlet collection assemblies. Micron Horizontal filters are available with a 500mm (M) filter media bed and a 1200mm (MD) filter media bed.





▲ Waterco was awarded the contract to provide 12 Micron MD10,000 horizontal filters. These 7-bar rated filters are made using the latest in fibreglass winding technology and use the highest grade of non-corrosive materials.

Extreme desalination

Waterco filters key component for new desalination plant in Eastern Russia

Russky Island off the coast of Vladivostok in Russia is well known for its extreme climate - in fact the seas around the island are frozen for six months over winter. So when the Russian Central Government made the decision to construct a desalination plant there, it needed to be purpose designed for the extreme weather conditions.

An integral part of this major development was the construction of a new 10,000 m³/d seawater reverse-osmosis (SWRO) desalination plant to support the drinking and process needs of local residents and the new Far Eastern Federal University, a unique dual-purpose facility: an international-grade university campus and the site of the APEC 2012 Leaders Summit.



10,000 m³/d seawater reverse-osmosis (SWRO) desalination plant to support the drinking and process needs of local residents and the new Far Eastern Federal University.



Waterco's filters are designed with no metal to water contact and are suitable for a long service life due to the high pressure rating.

Given the harsh environment, Aqua-Chem needed components for the plant specifically designed to be hard wearing and long lasting. Following a tender process, Matrix, a division of Aqua-Chem, awarded the contract to Waterco to provide 12 horizontal filters. These 7-barrated filters are made using the latest in fibreglass winding technology and use the highest grade of non-corrosive materials.

“Our filters are created with reliability and durability firmly in mind and provide flexible solutions to the many challenges that go with treating higher volumes of seawater. Russky Island is a perfect application.”

Filament Wound Granular Filters

Specifications - Micron Horizontal Filters

Filter Model	Port Size	Bed Depth	Inner Diameter	Maximum Filter Area	Filtration Flows Rates*		Backwash Flows Rates*		Media Volume	Sub-Lateral Gravel	Sand
					30m ³ /hr/m ²	36m ³ /hr/m ²	40m ³ /hr/m ²	50m ³ /hr/m ²			
	mm	mm	mm	m ²	m ³ /hr		m ³ /hr		Litres	kgs	kgs
M2500	100	500	1260	2.50	75	90	100	125	1452	435	1685
M3750	150	500	1260	3.75	113	135	150	188	2370	691	2769
M5000	150	500	1260	5.00	150	180	200	#250	3192	1064	3596
MD5000	150	1200	2000	5.00	150	180	200	#250	5788	774	7676
MD5500	150	1200	2000	5.50	165	198	#220	#275	6356	847	8433
MD5500	150	1200	2000	5.50	165	198	220	275	6356	847	8433
MD6500	200	1200	2000	6.50	195	234	260	325	7548	1066	9954
MD8000	200	1200	2000	8.00	240	288	320	400	9795	1401	12898
MD10000	250	1200	2000	10.00	300	360	400	500	12116	1964	15726
MDD10000	250	1200	2200	11.44	343	412	458	572	15000	3504	18396

*Filtration and backwash flow rates are worked based on maximum filter area.

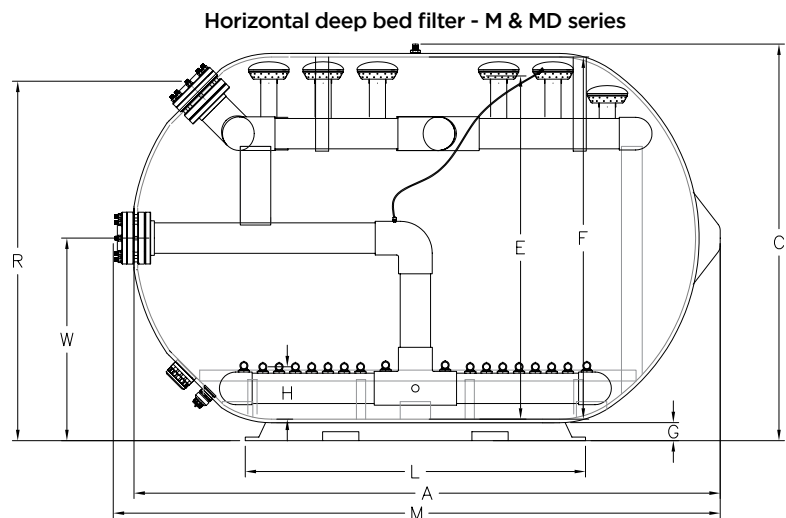
Exceed recommended maximum flow rates

* Recommended maximum flow rates for port size: 100mm/110mm(EU), 1800 lpm, 108m³/hr 150mm/160mm(EU), 3420 lpm, 205.2m³/hr
 200mm/200mm(EU), 6720 lpm, 403.2m³/hr 250mm/280mm(EU), 8930 lpm, 535.8m³/hr

Dimension (mm) - M and MD Series

Model	Port Size	A	C	W	R	L	E	F	G	H	M
M2500	100	2245	1620	740	1300	1400	1005	1260	150	255	2327
M3750	150	3230	1620	740	1300	2520	1005	1260	150	255	3312
M5000	150	4220	1620	740	1300	3570	945	1260	150	275	4301
MD5000	150	2920	2190	1120	1988	1630	1889	2000	230	289	3026
MD5500	150	3252	2190	1120	1988	1880	1889	2000	230	289	3330
MD5500	200	3122	2190	1120	1988	1880	1840	2000	230	240	3330
MD6500	200	3765	2190	1120	2020	2405	1890	2000	230	290	3890
MD8000	200	4516	2190	1120	2020	3155	1890	2000	230	290	4640
MD10000	250	5500	2190	1150	2050	4055	1890	2000	230	330	5650
MDD10000	250	5685	2400	1255	2204	4055	2030	2200	274	430	5840

All figure tolerance 1%; Subject to modification



Filament Wound Granular Filters

Specifications - Micron Horizontal Nozzle Plate Deep Bed Filters

Filter Model	Port Size	Bed Depth	Max Filter Area	Filtration Flow Rates		Backwash Flow Rates		Media Volume	Sand	Glass Pearls
	mm	mm	m ²	30m ³ /hr/m ²	36m ³ /hr/m ²	40m ³ /hr/m ²	50m ³ /hr/m ²	L	kg	kg
			m ³ /hr		m ³ /hr					
MPD5000	150	1200	5	150	180	200	250	5377	7676	8491
MPD5500	200	1200	5.5	165	198	220	275	5890	8433	9329
MPD6500	200	1200	6.5	195	234	260	325	7055	9954	11011
MPD8000	200	1200	8	240	288	320	400	8699	12898	14628
MPD10000	250	1200	8.12	243.6	292.3	324.8	406	10959	15726	17396

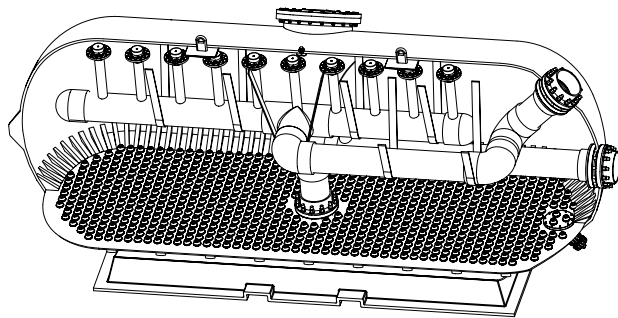
Exceed recommended maximum flowrate.

Dimension (mm) - MPD Series

Model	Port Size	A	C	W	R	L	E	F	G	H	M
MPD5000	150	2920	2190	1120	1988	1630	1889	2000	230	289	3026
MPD5500	200	3122	2190	1120	1988	1880	1840	2000	230	290	3330
MPD6500	200	3765	2190	1120	2020	2405	1890	2000	230	290	3890
MPD8000	200	4516	2190	1120	2020	3155	1890	2000	230	290	4640
MPD10000	250	5500	2190	1150	2050	4055	1890	2000	230	330	5650

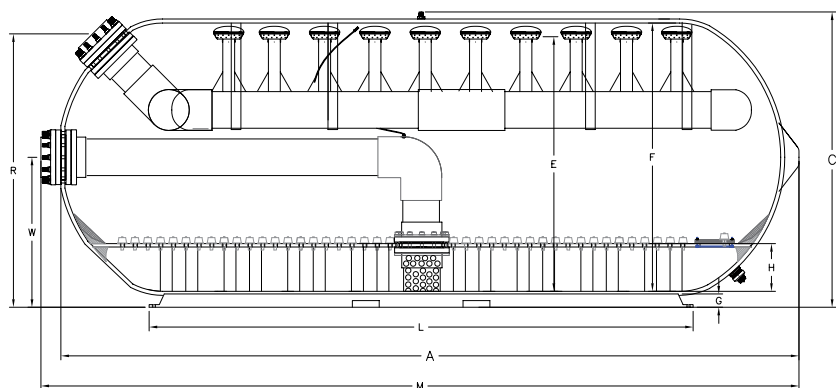
All figure tolerance 1%; Subject to modification

Waterco manufactures horizontal nozzle plate deep bed filters with up to 10m² filter area and 1,200mm filter media bed depth - the largest to receive AS/NZS 4020:2005 Certification from the Australian Water Quality Centre.



Other than extensive application in seawater and marine environment, our filters are involved in saving many people from drought too! Flip over now to read application in groundwater pre-treatment.

Horizontal deep bed filter - MPD series





Waterco Australia Commercial Water Treatment

Wangaratta water treatment plant



Waterco helps drought-proof \$2M ground water treatment plant

The town of Wangaratta is located at the junction of the Ovens and King rivers, creating a catchment for the north-western slopes of the Victorian Alps. Heavy rainfall often causes flooding, which in turn increases the number of suspended solids and colloids in the water.

To deliver high-quality filtered drinking water free from unwanted taste and odours, Filtec, a water management specialist installed Waterco's MPD10,000 Commercial Fibreglass Nozzle Plate Media Filter (10m² filter area and 1200mm bed depth) - the largest to receive AS/NZS 4020:2005 Certification from the [Australian Water Quality Centre](#).

Certification for a water filtration vessel of this size with the custom made nozzle plates reinforces Waterco as a manufacturer of superior water filtration solutions that are ideal for a wide range of commercial applications including large public swimming pools, aquatic parks, cooling towers, drinking water systems, desalination plants, industrial processes, zoos, and aquariums.

With the installation of the new filters, it allows the main plant to be taken off-line at any time to conduct critical infrastructure work. During any future droughts, this new system will also significantly increase water resilience and will reduce the frequency of harsh water restriction.



To deliver high-quality filtered drinking water free from unwanted taste and odours, Filtec installed Waterco's MPD10,000 Commercial Fibreglass Nozzle Plate Media Filter.



Fibreglass vessels have a mechanical and chemical resistance superior to steel, plus fibreglass does not rust or corrode and is able to withstand damage from many types of water treatment chemicals.

Filament Wound Granular Filters



Designed for water treatment and commercial swimming pool facilities, built using the lasts in gel coated fibreglass technology.

- Durable
- Easy to maintain
- Flanged tank port connections
- Perfect for retrofit
- Easy transport
- Flexible configurations available
- Sight glass available



HYDRON SPLIT TANK SIDE MOUNT DEEP BED FILTERS

1200mm filter bed depth

Ideal for retrofitting

Hydron Split tank can be delivered in two parts and assembled on site in the plant room. The two halves seal perfectly using a double o ring and are held together by a flange using bolts and nuts. The filter is specifically designed to fit through existing standard size plant room doors.

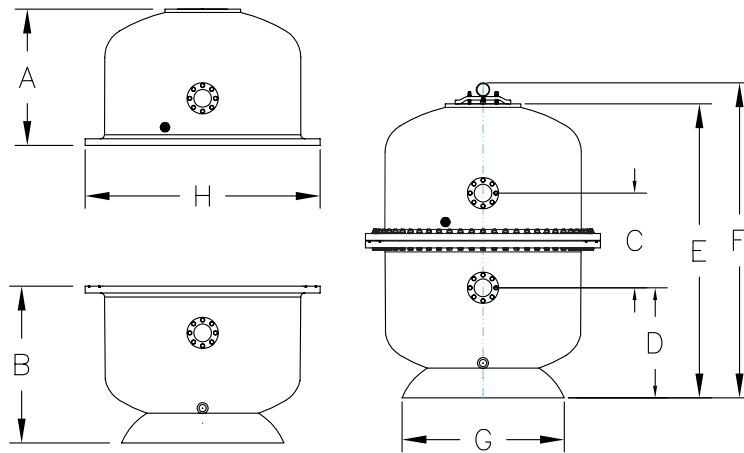
Specifications - Micron Horizontal Nozzle Plate Deep Bed Filters

Model	Port Size	Bed Depth	Inner Diameter	Filter Area	Filtration Flow Rates		Backwash Flow Rates		Media Volume	Sand	Glass Pearls
	mm	mm	mm	m ²	30m ³ /hr/m ²	36m ³ /hr/m ²	40m ³ /hr/m ²	50m ³ /hr/m ²	L	kg	kg
					m ³ /hr		m ³ /hr				
SMDDT1200	80	1200	1200	1.13	33.9	40.7	45.2	56.5	1401	2045	2255
SMDDT1400	100	1200	1400	1.54	46.2	55.4	61.6	77.0	1945	2840	3132
SMDDT1600	100	1200	1600	2.01	60.3	72.4	80.4	100.5	2524	3685	4064
SMDDT1800	150	1200	1800	2.54	76.3	91.6	101.8	127.2	3408	4975	5486

Dimension - SMDDT (mm)

Model	Port Size	A	H	F	B	C	D	E	G
SMDDT1200	80	1010	1521	2245	1095	700	749	2088	1045
SMDDT1400	100	1008	1737	2330	1165	700	814	2170	1200
SMDDT1600	100	995	1943	2285	1130	700	829	2130	1200
SMDDT1800	150	1105	2105	2355	1100	700	789	2188	1760

All figure tolerance 1%; Subject to modification.



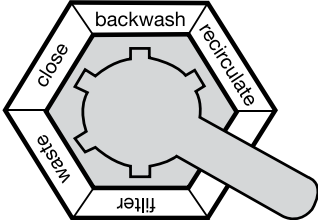
Multiport Valves



MULTIPOINT VALVES

Constructed from heavy duty ABS and GFPP, Waterco Multiport valves are designed for maximum performance and working pressures.

- 6-position multiple valve
- Top and Side Mount configurations
- Rated at 400kPa



MULTIPOINT VALVE MAIN FUNCTIONS

- Filter - downward flow through the filter bed to outlet
- Backwash - upward flow through the filter bed to waste
- Rinse - downward flow through the filter bed to waste
- Waste - bypass the filter bed to waste
- Re-circulate - bypass the filter bed to outlet
- Closed - no flow to the filter

Model	Max flow rate	Body	Lid	Handle	Rotor	Hardware	Union Nut	Union Tail
40mm MPV	320	ABS	ABS	ABS	GF Noryl	SS304	ABS	PVC
50mm MPV	510	ABS	ABS	ABS	GF Noryl	SS304	ABS	PVC
65mm MPV	780	ABS	GFPP	ABS	GF Noryl	SS304	ABS	PVC
80mm MPV	1080	GFPP	GFPP	ABS	GF Noryl	SS304	ABS	PVC
100mm MPV	1800	GFPP	GFPP	ABS	GF Noryl	SS304	ABS	PVC



Product Range	Part Number	MPV Description	Filters
Micron Top Mount F/G Filter	228042	MPV TM 40mm C/W B/U Waterco K	S500 - 700 (2.5 bar)
	22804416	MPV TM 40mm 6" Threaded MK3 Waterco	S500 - 700 (4 bar)
	2280443	MPV TM 40mm MPV Collar w BU	Premium S600 & S700
	228053	MPV TM 50mm Male Threaded Port (W)	S602, S702, S750 - 1200, SD750 & 900
	2280600	MPV TM 65mm w B/U Waterco	S1050 & 1200
	228800	MPV TM 80mm w B/U Waterco	S1200, SD1200 & 1400
Micron Side Mount F/G Filter	2290421	MPV SM 40mm Male & Female BSP (K)	SM400 - 600, SMD600, SMDD600
	2290512	MPV SM 50mm SF Int Thr	SM700 - 900, SMD750, SMDD750 - 1050
	22905010	MPV SM 65mm Slip Fit C/W Plumbing Kit	SM1050 & 1200, SMD1050, SMDD900 & 1050
	2290820	MPV SM 80mm C/W Plumbing Kit	SM1050 - 1600, SMD900 - 1600, SMDD900 - 1600
	2291005	MPV SM 100mm C/W Plumbing Kit	SM1600 - 2000, SMD1200 - 2000, SMDD1200 - 2000

Multiport Valves



Product Range	Part Number	MPV Description	Filters
Exotuf Top Mount	2280422	MPV 40mm TM 6" Clamp Type (K)	T400 - 600, E400, E450
	22804221	MPV 40mm TM 6" Clamp Type (K)	E500
	22804456	MPV TM 40mm Clamp Ext Thread w BU MK2 WCO	E600, E500+, E600+
	228058	MPV TM 50mm 8" Clamp Type MK2 Waterco	E602+, E702+ Exotuf Side Mount
Exotuf Side Mount	2290421	MPV SM 40mm Male & Female BSP [K]	E500+, E600+
	22905130	MPV SM 50mm SF INT/Thread MK2 WCO	E602+, E702+
Aquabiome	229042	MPV SM 40mm Male BSP THRD New K	Used in plumbing kit 2290492 (ASM400 - 600)
	229052	MPV SM 50mm DE w B/U (W)	Used in plumbing kit 2290592 (ASM750 - 900)
Fulflo DE Filter	2390495	MPV DE 40mm MK2 w PKIT P2027 50mm Port New	Fulflo DE Filter P2027
	23905832	DE 50mm MPV w PKIT P2036 50mm Port New	Fulflo DE Filter P2036
	23905932	DE 50mm MPV w PKIT P2048 50mm Port New	Fulflo DE Filter P2048
W/WD Filter	2280262	MPV TM 40mm 5-WAY 7 BAR (Female Thread)	All W/WD Filter Except WD900
	228026	MPV TM 40mm 5-WAY 6 BAR (Male Thread)	Old Model W/WD Filter
	228053	MPV TM 50mm	WD900



SWEEP ELBOW KITS FOR MICRON SIDE MOUNT SAND FILTERS

Part Number	Product Description
121558	Sweep Elbow Kit 40mm
121559	Sweep Elbow Kit 50mm



PRESSURE GAUGES

Part Number	Product Description
62109	Dry Rear Mount 250 kPa
62161	Dry Bottom Mount 250 kPa
621630	Liquid-filled Rear Mount 400 kPa
621632	Liquid-filled Bottom Mount 400 kPa
621637	Dry Bottom Mount 800 kPa
621623	Liquid-filled Bottom Mount 1200 kPa SS316

Thermoplastic Filters



EXOTUF TOP MOUNT SAND FILTERS - 40mm clamp MPVs

Part Number	Product Description	Pressure Rating
	Filter + MPV	
2260166	Exotuf E400 Filter Clamp Type	2.5 bar
2280422	MPV TM40mm 6" Clamp Type	
2260206	Exotuf E500 Filter Clamp Type	2.5 bar
22804221	MPV TM40mm 6" Clamp Type E500	
2260246	Exotuf E600 Filter Clamp Type	3.5 bar
22804556	MPV TM40mm 6" Clamp Type MK3	

Designed to cope with the cyclic pressures of the modern day swimming pool, Exotuf filter vessels are moulded with precise injection for superior strength and dependability.

Exotuf filters are ideal for pools equipped with in floor cleaning systems and high powered pumps.

- Granular media filtration
- Multiport valve for ease of use
- Pressure rated at 250kPa (E600 350kPa)
- Corrosion and UV resistant

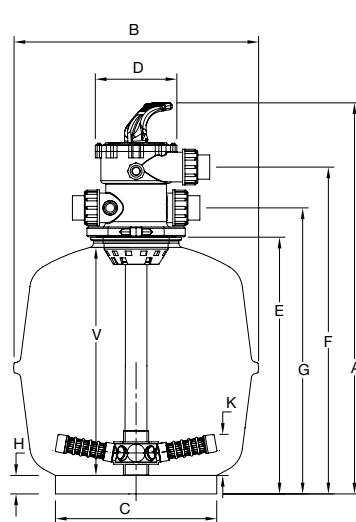
Specifications - Exotuf Top Mount Sand Filters

Filter Model	Valve Size	Inner Diameter	Filter Area	Bed Depth	Filtration Flow Rates	Max Flow	Media Volume	Glass Pearls	Ecopure Glass	Sand 16/30	Zeoplus 0.6-1.2mm
	mm	mm	m ²	mm	lpm	lpm	L	kg	kg	kg	kg
E400	40	400	0.13	160	78	104	27	43	36	39	32
E500	40	500	0.20	250	120	160	62	100	82	91	74
E600	40	600	0.28	250	168	224	89	143	118	130	107

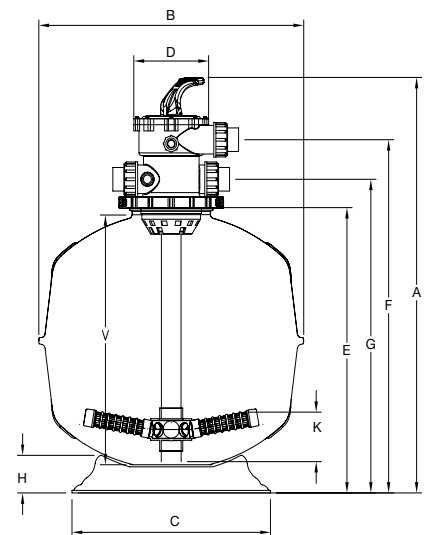
Filtration flow rate is based on 36m³/hr/m²; Max flow rate is based on a velocity of 48m³/hr/m²

Dimensions (mm)

Model	Valve Size	A	B	C	D	E	F	G	H	V	K
E400	40	822	460	280	182	535	679	588	34	480	89
E500	40	905	550	484	182	618	762	671	88	522	108
E600	40	942	650	484	182	655	799	708	88	560	115



E400



E600

Thermoplastic Filters



EXOTUF PLUS TOP MOUNT SAND FILTERS with Fish Tail Laterals

Part Number	Product Description	Pressure Rating
Filter + MPV		
2260202	Exotuf Plus E500 c/w 40mm MPV	3.5 bar
2260248	Exotuf Plus E600 c/w 40mm MPV	3.5 bar
22804556	MPV TM40mm 6" Clamp Type MK3	
2260249	Exotuf Plus E602 c/w 50mm MPV	3.5 bar
2260299	Exotuf Plus E702 c/w 50mm MPV	3.5 bar
228058	MPV TM50mm 8" Clamp Type	

The Exotuf Plus media filters are designed to cope with the cyclic pressures of the modern day swimming pool and feature hydraulically efficient fish tail lateral systems to facilitate energy and water savings.

- Water savings of up to 30%
- Ideal for low powered and energy efficient pumps
- Multiport valve clamp provides 360° orientation of the multiport valve for simple installation and service
- Hydraulically balanced flow distribution, to maximise filtration and backwashing
- Pressure rated at 350kPa
- Corrosion and UV resistant

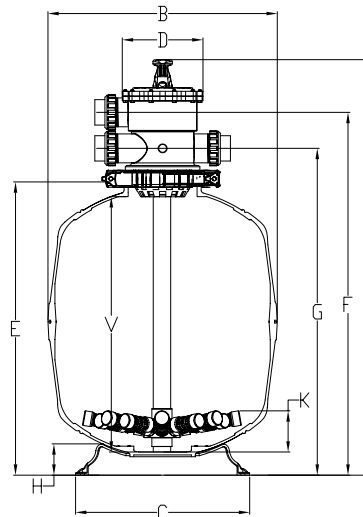
Specifications - Exotuf Plus Top Mount Sand Filters

Filter Model	Valve Size	Inner Diameter	Filter Area	Bed Depth	Filtration Flow Rates	Max Flow	Media Volume	Glass Pearls	Ecopure Glass	Sand 16/30	Zeoplus 0.6-1.2mm
	mm	mm	m ²	mm	lpm	lpm	L	kg	kg	kg	kg
E500 Plus	40	500	0.20	330	120	160	75	121	100	110	90
E600 Plus	40	600	0.28	360	168	224	120	193	160	175	144
E602 Plus	50	600	0.28	360	168	224	120	193	160	175	144
E702 Plus	50	700	0.38	430	228	304	185	298	246	270	222

Filtration flow rate is based on 36m³/hr/m² ; Max flow rate is based on a velocity of 48m³/hr/m²

Dimension - Exotuf Plus (mm)

Model	Valve Size	A	B	C	D	E	F	G	H	V	K
E500 Plus	40	1015	552	484	182	729	873	782	88	622	103
E600 Plus	40	1095	635	484	182	809	953	862	88	706	115
E602 Plus	50	1148	635	484	220	824	1002	902	88	706	115
E702 Plus	50	1226	755	620	220	902	1080	980	90	805	145



Bag & Cartridge Filters



TRIMLINE LEAF TRAPPER - Bag not included

Part Number	Product Description	Nominal Size
Filter Housing		
3761053	Trimline C50 Leaf Trapper - without filter bag	
Filter Element		
36519265	800 Micron Filter Bag	800 micron

The Trimline Leaf Trapper incorporates a high quality and durable filter bag that enables high volume leaf & debris capture. The lid is clear for quick visual inspection of the Leaf Trapper's filter bag. The Trimline Leaf Trapper is ideal for installation in areas of high leaf & debris collection prior to a pool's finer filtration system. It is compact & economical, perfect for negative edge pools and in floor cleaning systems.

- Large filter bag
- One piece mould construction
- Able to withstand up to 350kPa (50psi)

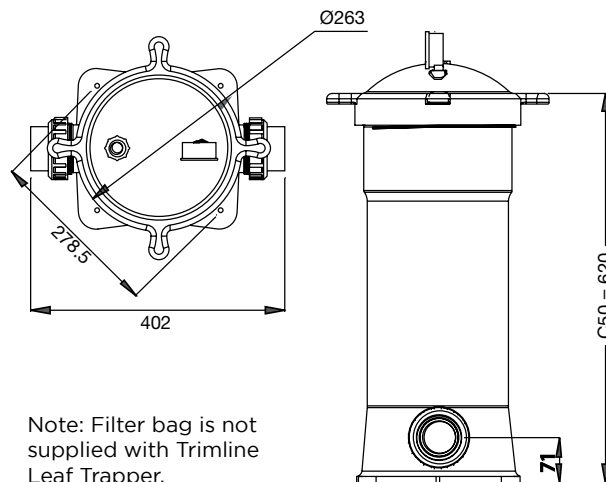
Trimline Leaf Trapper Specification

LEAF TRAPPER SPECIFICATIONS	
Max Flow Rate	340lpm
Required clearance for servicing	530mm
Maximum pressure	350kPa
Maximum temperature	40°C

FILTER BAG SPECIFICATIONS	
Surface Area	0.17m ²
Diameter	178mm
Length	419mm

FILTER BAG PRODUCT CODE		
36519265	Manufactured with Nylon	800 microns

Dimensions (mm)



Note: Filter bag is not supplied with Trimline Leaf Trapper.

Bag & Cartridge Filters



TRIMLINE CARTRIDGE FILTERS

Part Number	Product Description	Specification
Filter Housing		
21450	Trimline CC50	3.5 bar
21475	Trimline CC75	3.5 bar
214100	Trimline CC100	3.5 bar
Filter Element		Height (mm) Diameter (mm)
62048	CC50 Trimline Compact Cartridge (30 micron)	385 185 50 sq.ft
62049	CC75 Trimline Compact Cartridge (30 micron)	496 185 75 sq.ft
62050	CC100 Trimline Compact Cartridge (30 micron)	747 185 100 sq.ft

Trimline Cartridge Filters are compact and economical filters designed to effectively filter out suspended solids from your pool.

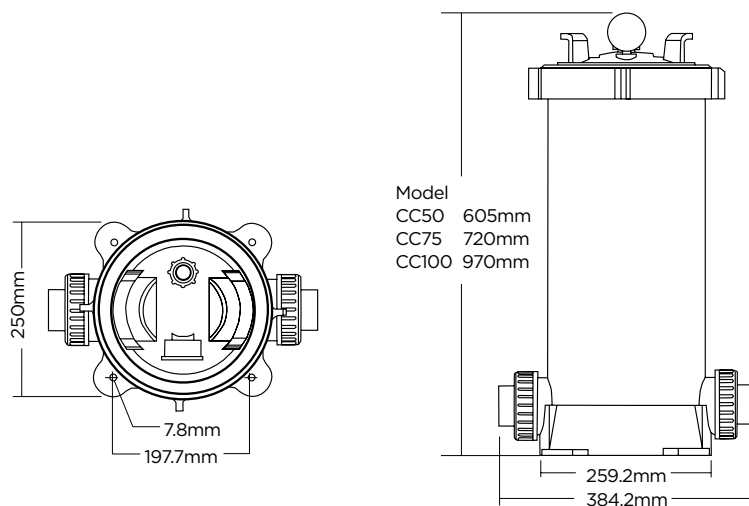
The Pleated Filter Cartridges are fabricated from pleated reusable polyester fabric. The media has been pleated in order to maximise the cartridge dirt holding capacity and extend the time between cleaning.

Specifications

Product Description	Filter Area		Max. Flow Rate		Max. Working Pressure		Domestic Pool Size		Overall Weight
	m ²	ft ²	lpm	gpm	kPa	psi	L	m ³	kg
Trimline CC50	4.65	50	190	50	350	50	68,400	68.4	8.6
Trimline CC75	6.97	75	285	75	350	50	100,800	100.8	10.5
Trimline CC100	9.29	100	380	100	350	50	136,800	136.8	14.0

*Pool size is calculation based on 6-hour turnover rate.

Dimensions (mm)



Bag & Cartridge Filters



TCF Filters

The TCF series housings are designed for top loading with an easy locking ring system requiring no additional tools for simple cartridge removal and replacement.

The TCF series housings are fabricated from high impact polypropylene to be compatible with a wide range of fluids.

- One piece mould construction
- Easy locking ring system
- Maximum pressure rating of 600kPa (87psi)

Trimline cartridge filters are designed to house either a pleated filter cartridge or a granular media cartridge.



TCF Granular Media Cartridge Components

Trimline granular media cartridges are able to house 12L of filter media and are designed to allow water to enter via the top

of the cartridge and flow through the full height of the filter bed before exiting at the bottom of the cartridge.



TCF Cartridges

Trimline Pleated Filter Cartridges are fabricated from pleated reusable polyester fabric.

The media has been pleated to provide 2.3 to 6.9 square metres of surface area in order to maximise the cartridge dirt holding capacity and extend the time between cleaning.

COMMANDOMATIC TCF FILTERS

Part Number	Product Description	Specification
Filter Housing		
2150253	TCF C25 Housing Only	6 bar
2150503	TCF C50 Housing Only	6 bar
2150753	TCF C75 Housing Only	6 bar

TCF Granular Media Cartridge Components

3651922	Trimline Bottle (c/w slots) - 12 litre capacity
3651923	Trimline Bottle (w/o slots) - 12 litre capacity
644771	TCF Sealing Washer
62078	TCF Cartridge Spacer
72514690	TCF Cartridge Spacer O-ring

TCF 25 Granular Media Pre-Filter Cartridges

		Height (mm)	Diameter (mm)	
62031	C25 5 Micron Cartridge	247	185	25 sq.ft
620311	C25 10 Micron Cartridge	247	185	25 sq.ft
6204020	C25 20 Micron Cartridge	247	185	25 sq.ft
62040	C25 30 Micron Cartridge	247	185	25 sq.ft

TCF 50 Pleated Polyester Filter Cartridges

62041	C50 5 Micron Cartridge	496	185	50 sq.ft
620411	C50 10 Micron Cartridge	496	185	50 sq.ft
6204220	C50 20 Micron Cartridge	496	185	50 sq.ft
62042	C50 30 Micron Cartridge	496	185	50 sq.ft

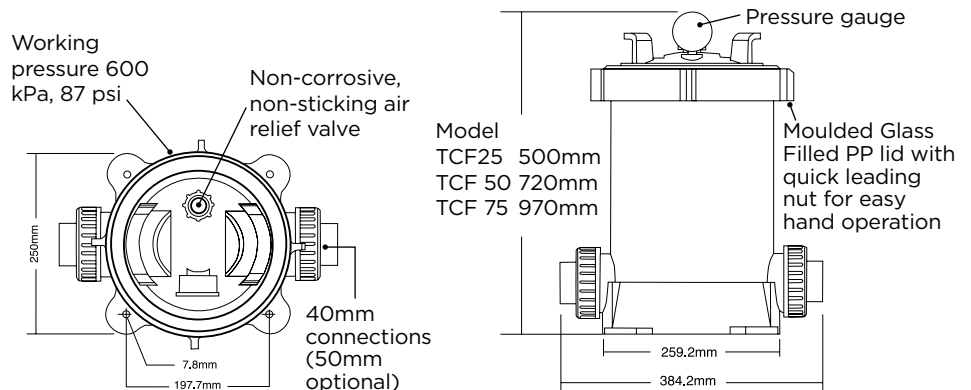
TCF 75 Pleated Polyester Filter Cartridges

62043	C75 5 Micron Cartridge	747	185	75 sq.ft
620431	C75 10 Micron Cartridge	747	185	75 sq.ft
6204420	C75 20 Micron Cartridge	747	185	75 sq.ft
62044	C75 30 Micron Cartridge	747	185	75 sq.ft

Specifications

Product Description	Filter Area		Max. Flow Rate		Max. Working Pressure	
	m ²	ft ²	lpm	gpm	kPa	psi
TCF C25	2.3	25	95	25	600	87
TCF C50	4.7	50	190	50	600	87
TCF C75	6.9	75	285	75	600	87

Dimensions (mm)



Bag & Cartridge Filters



The Trimline Bag Filter (TBF) offers an economical and user friendly alternative to many liquid filtration applications with favourable operating cost benefits.

TBF filter bags are particularly useful for the filtration of highly viscous liquids and liquids with a high level of particulate concentration.

TBF housings are constructed from high impact polypropylene to be compatible with a wide range of fluids and its ergonomic screw down lid is designed for simple hand operation allowing for a quick filter changeover.

- Ideal as a coarse pre-filter / leaf trapper
- Disposable filter bags
- One piece mould construction
- Able to withstand up to 600kPa (87psi)

TRIMLINE BAG FILTER (TBF)

Part Number Product Description

TBF Filter Housing

3761050	C50 TBF Housing
37610750	C75 TBF Housing
37610752	C75 TBF Housing with Viton O Rings

TBF C50 Polypropylene Filter Bags

3651931	1 Micron Filter Bag
3651924	5 Micron Filter Bag
3651925	25 Micron Filter Bag
3651926	50 Micron Filter Bag
36519261	100 Micron Filter Bag
36519265	800 Micron Filter Bag

TBF C75 Polypropylene Filter Bags

36519310	1 Micron Filter Bag
36519240	5 Micron Filter Bag
36519250	25 Micron Filter Bag
36519260	50 Micron Filter Bag
36519262	100 Micron Filter Bag
36519266	800 Micron Filter Bag

Specifications

TBF SPECIFICATIONS	C50		C75	
Max Flow Rate (Residential)	55 lpm	15 gpm	88 lpm	23 gpm
Max Flow Rate (Commercial)	21 lpm	6 gpm	33 lpm	9 gpm
Required clearance for servicing	530mm	20.9"	770mm	30.3"
Maximum pressure	600kPa	87psi	600kPa	87psi
Maximum temperature	40°C	100°F	40°C	100°F

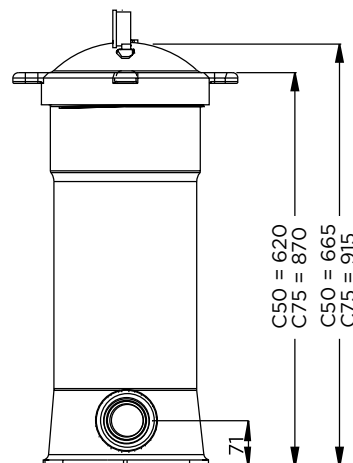
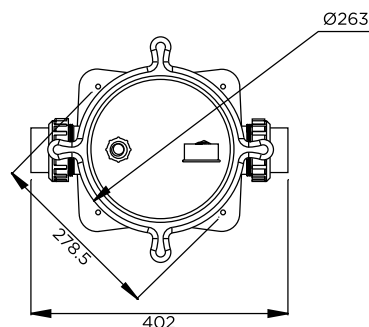
FILTER BAG SPECIFICATIONS

	C50	C75	C50	C75
Surface Area	0.17m ²	1.85ft ²	0.27m ²	2.9ft ²
Diameter	178mm	7"	178mm	7"
Length	419mm	16.5"	660mm	26"

	C50	C75
Material	Polyester*	Polyester*
Specific Gravity	0.91	0.91
Abrasion & Flex	Very Good	Very Good
Weak Acids	Excellent	Excellent
Strong Acids	Excellent	Excellent
Weak Alkali	Excellent	Excellent
Strong Alkali	Excellent	Excellent
Solvents	Fair	Fair

*800 micron bag is nylon

Dimensions (mm)



Bag & Cartridge Filters



OPAL CARTRIDGE FILTER 3.5 Bar pressure rating

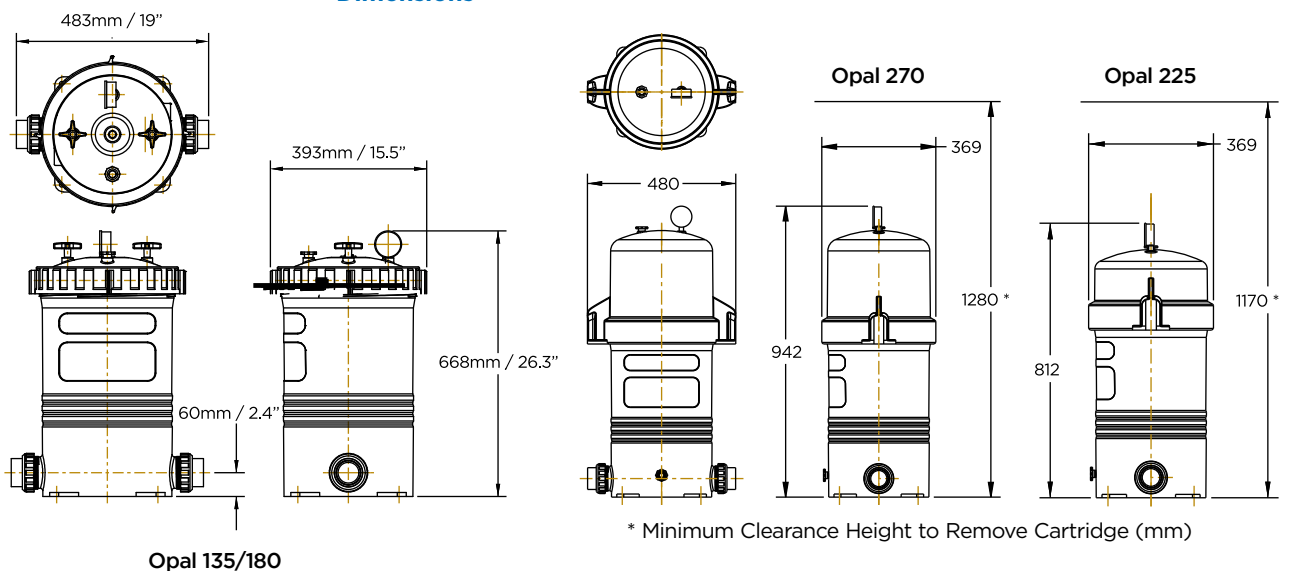
Part Number	Product Description	Specification
Filter Housing		
2171350	Opal 135 Cartridge Filter	135 sq.ft
2171800	Opal 180 Cartridge Filter	180 sq.ft
217225	Opal 225 Cartridge Filter	225 sq.ft
217270	Opal 270 Cartridge Filter	270 sq.ft
Filter Element		Height (mm) Diameter (mm)
701041	Opal Filter Cartridge Element, 90 sq.ft	218 262
701039	Opal Filter Cartridge Element, 135 sq.ft	431 262
701038	Opal Filter Cartridge Element, 180 sq.ft	431 262
701040	Opal Filter Cartridge Element, 225 sq.ft	431 262
701041+ 701038	Opal Filter Cartridge Element, 270 sq.ft	649 262

Opal cartridge filters are designed to house an extra large filter cartridge, maximising its dirt holding capacity and minimising filter maintenance. The filter's ergonomic lid allows easy access to the filter cartridge for removal, cleaning and installation in a matter of minutes.

Technical Specifications

Model	Filter Area		Max Flow Rate	Working Pressure		Max Pool Size
	m ²	ft ²	lpm	kPa	psi	L
Opal 135	12.5	135	510	250	50	183,600
Opal 180	16.7	180	510	250	50	183,600
Opal 225	20.9	225	510	250	50	183,600
Opal 270	25.1	270	510	250	50	183,600

Dimensions



Bag & Cartridge Filters



FULFLO TRI CARTRIDGE FILTERS 3.5 Bar pressure rating

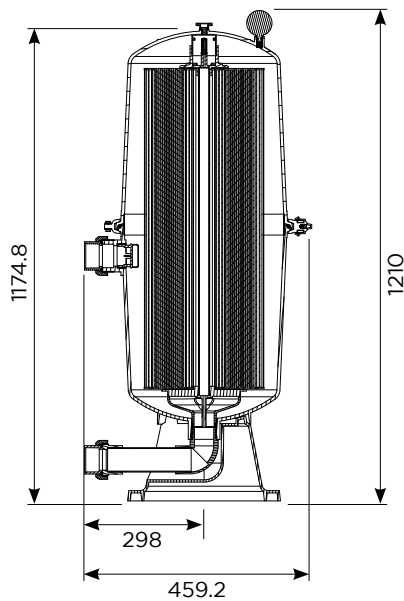
Part Number	Product Description	Specification
Filter Housing		
2165300	Fulflo Tri-Cartridge Filter C300	300 sq.ft
2165400	Fulflo Tri-Cartridge Filter C400	400 sq.ft
2165500	Fulflo Tri-Cartridge Filter C500	500 sq.ft
Filter Element		Height (mm) Diameter (mm)
622810	Fulflo C300 Filter Cartridge, 100 sq.ft [3 cartridges required]	798 158
622820	Fulflo C400 Filter Cartridge, 134 sq.ft [3 cartridges required]	798 158
622830	Fulflo C500 Filter Cartridge, 167 sq.ft [3 cartridges required]	798 158

Fulflo Tri Cartridge Filters are designed to effectively filter out suspended solids from your pool. Fulflo Tri-cartridge filter houses three individual pleated filter cartridges, maximising its dirt holding capacity and minimising filter maintenance, leading to significant water savings.

Specifications

Model No.	Filter Area		Design Flow Rate	Max. Pool Size	Max. Working
	sq.ft.	m ²	lpm	L	
2165300	300	28	426	152,640	350kPa
2165400	400	37	510	183,600	350kPa
2165500	500	46	510	183,600	350kPa

Dimensions



Bag & Cartridge Filters



TOP LOAD FILTER

Part Number Product Description

Filter Housing

4555250	Top Load Filter 50 sq.ft 40mm connection
45552505	Top Load Filter 50 sq.ft 50mm connection
4555275	Top Load Filter 75 sq.ft 40mm connection
AFI060	Top Load Niche and Lid
AFI062	Top Load Filter Base

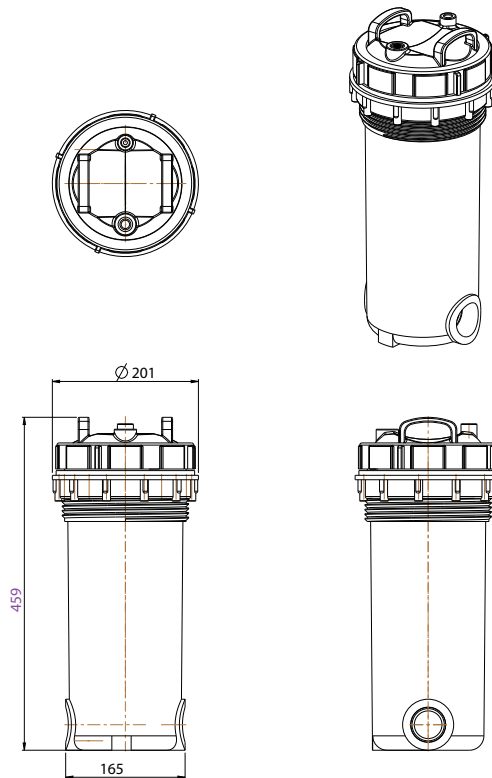
Filter Element

Filter Element		Height (mm)	Diameter (mm)	Specification
62010	Top Load Filter Cartridge 50 sq.ft	340	125	50 sq.ft
62009	Top Load Filter Cartridge 75 sq.ft	600	127	75 sq.ft

Backyard spas are becoming increasingly popular for the lifestyle, fitness and relaxation benefits they offer. From a portable spa to be enjoyed with friends and family, to working out in the latest dual zone swim spa, spas have evolved to become a great alternative or addition to the traditional family pool.

Waterco offers a range of high quality spa equipment and accessories, from pumps and heaters to blowers and lights.

Dimensions



MULTICYCLONE PLUS & ULTRA

Part Number	Product Description	Height (mm)	Diameter (mm)	Specification
62451	C40 Cartridge Only (for Multicyclone Plus)	197	160	40 sq.ft
62453	C75 Cartridge Only (for Multicyclone Ultra)	380	160	75 sq.ft

Bag & Cartridge Filters



FULFLO DE FILTERS 3.5 Bar pressure rating

Part Number	Product Description	Specification
23027	Fulflo DE 27 c/w 40mm MPV	27 sq.ft
23036	Fulflo DE 36 c/w 50mm MPV	36 sq.ft
23048	Fulflo DE 48 c/w 50mm MPV	48 sq.ft

Built to endure the rigours and pressures of the outdoor environment, Fulflo Perl filter housings are made from specially engineered polymers that have been tested for durability and strength.

The heart of the Fulflo Perl filter is the septum, comprising 10 polypropylene covered grids. These grids are spaced far enough apart to prevent the Aquaperl from clogging while still allowing backwashing to be 100% effective.

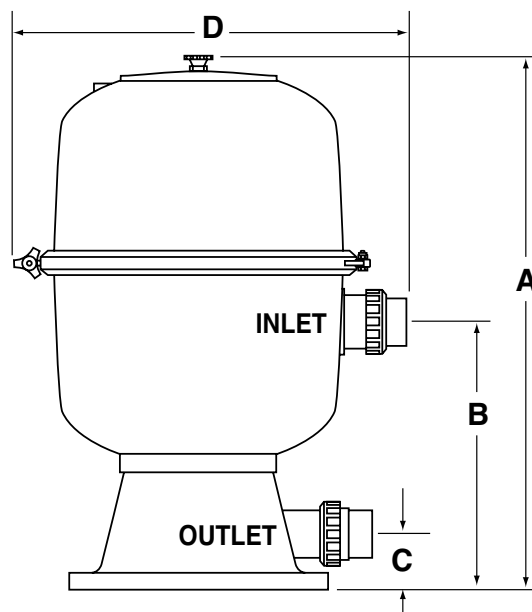
Specifications

Model No	P2027	P2036	P2048
Filtration Area (m ²)	2.5	3.3	4.4
Max. Flow lpm (Res) *	255	337	449
Max Pool Size (m ³) - Res	92	121	162
Max. Flow lpm (Com) #	203	267	356
Max Pool Size (m ³) - Com	73	96	128
Filter Media (kg)	1.50	1.75	2.15

* - Residential use, design flow rate 102 lpm/m²
 # - Commercial use, design flow rate 81 lpm/m²

Dimensions

Model	A	B	C	D
P2027	850mm	615mm	95mm	500mm
P2036	1050mm	615mm	95mm	500mm
P2048	1250mm	615mm	95mm	500mm



Drinking Water Purifiers



FINSBURY DRINKING WATER FILTER

Part Number	Product Description
364601	FINSBURY Counter Top Water Filter
364603	FINSBURY Undersink Water Filter
364614	FINSBURY PP Sediment Cartridge 5 Micron (Replacement)
364611	FINSBURY Carbon Block Cartridge (Replacement)
364613	FINSBURY Disruptor Cartridge (Replacement)



GRAVITY WATER PURIFIER

Part Number	Product Description
36410008	Stoneware Purifier 8 Litre - (Incl. Gravity Ceramic Cartridge)



Gravity Ceramic Cartridge



Dome Ceramic Cartridge



CZR Cartridge

REPLACEMENT FILTER CARTRIDGES (GRAVITY PURIFIER)

Part Number	Product Description
36480401	Gravity Ceramic Cartridge
3648070	Dome Ceramic Cartridge
7743809	CZR Cartridge

Biological Filter



Effective

Excellent Nitrification and mechanical filtration.

Efficient

Hydraulically efficient filter design, balanced slotted laterals to maximize water flow and filtration.

Durable

Corrosion resistant and UV stabilised for outdoor installation.

Air-Backwash

Air assisted hydraulic backwash, saving time and water.

Superior Quality

Aquabiome fibreglass filters embody the latest in fibreglass winding technology.

AQUABIOME SKIDS

Part Number	Product Description
220008205	Aquabiome SM500
220008245	Aquabiome SM600
220008305	Aquabiome SM750
220008365	Aquabiome SM900

Aquabiome has been engineered specifically for ponds and water gardens. Aquabiome provides mechanical and biological filtration in a single housing. Its ability to support dense populations of nitrifying bacteria, its reliability and easy maintenance, makes Aquabiome especially suitable for high density recirculation systems.

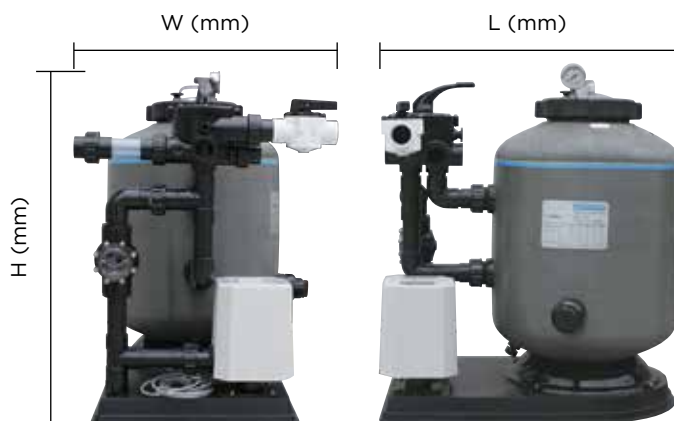
Specifications

Aquabiome	ASM500	ASM600	ASM750	ASM900
Nominal Diameter, mm	500	600	750	900
Filter Surface Area, m ²	0.20	0.30	0.44	0.64
Bed Depth, mm	290	360	400	440
Media Volume, litres	68	117	199	303
Media Weight, kg	34	58.5	99.5	151.5
Biofilter Surface Area m ²	74.8	128.7	218.9	333.3
Inlet/Outlet Connections	40mm	40mm	50mm	50mm
Filtration Flowrate, m ³ /hr	7.20	10.80	15.84	23.04
Backwash Flowrate, m ³ /hr	9.60	14.40	21.12	30.72
Recommended Pond Size, L	14,400	21,600	31,680	46,080
Feed Rate, kg per day	0.5	0.9	1.5	2.4
Total Ornamental Fish Weight*, kg	16.7	30	50	80
Total Aquaculture Fish Weight*, kg	50	90	150	240

- * Maximum fish stocking weight depends on the percentage of body weight fed daily.
- Ornamental fish weight based on feeding rate of 3% of body weight.
- Aquaculture fish weight based on feeding rate of 1% of body weight.

Dimensions (mm)

Aquabiome	L (mm) - length	W (mm) - width	H (mm) - height
SM500	815	650	875
SM600	1040	650	925
SM750	1325	830	985
SM900	1328	930	1110

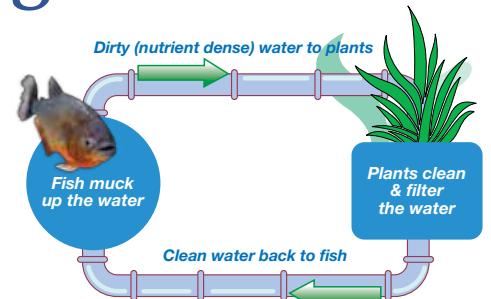




Sustainable Aquaponics garden

Bandar Botanic (Klang, Malaysia)

Aquaponics is a combination of aquaculture, which is growing fish and other aquatic animals, and hydroponics, the method of growing plants without soil. This symbiotic system feeds plants with the aquatic animals' discharge or waste. In return, the vegetables clean the water that goes back to the fish.



Aquaponics is a symbiotic system that mimics a natural lake, growing aquatic animals and plants without soil.



Specifically designed for ponds and water gardens, Waterco's Aquabiome filter provides mechanical and biological filtration in a single housing. Its ability to support dense populations of nitrifying bacteria coupled with its reliability and easy maintenance makes Aquabiome especially suitable for high density recirculation systems such as Aquaponics.

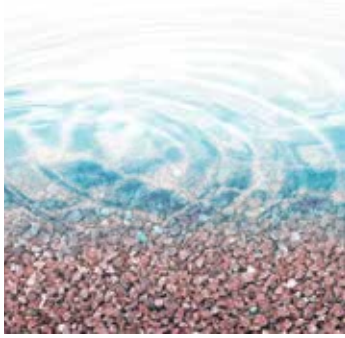
Since Waterco's Aquabiome filtration solution was installed in October 2017, Richard (System Owner) says his aquaponics

system is producing an abundance of organic produce while creating a healthy environment for his fishes to flourish. "Waterco's Aquabiome is easy to use and understand," says Richard. "There is no longer daily manual cleaning on clogging issues. All of the fishes and vegetables are thriving."

Growing plants in a soilless system while simultaneously farming fish might be considered a relatively young industry, however new technologies and commercial applications will see this change relatively quickly.

◀ *A space saving solution that would enable a seven-tonne koi pond, 500 fish and 1,300 'cups' of assorted vegetables within 400-square feet of space.*

Biological Filter



CLEARPOND SERIES FILTER

Part Number	Product Description	Pressure Rating
Exotuf Filter + MPV + ZeoPlus		
CP500	ClearPond E500 Filter c/w MPV and ZeoPlus	2.5 bar
CP600	ClearPond E600 Filter c/w MPV and ZeoPlus	3.5 bar

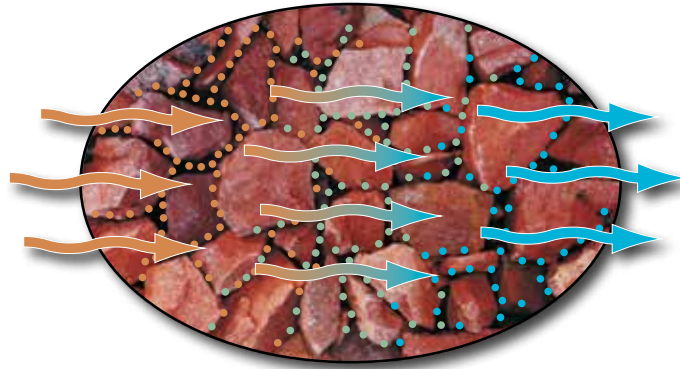
Dual Filtration

ZeoPlus provides excellent mechanical filtration of suspended particles. In addition to trapping the larger particulates between the grains of the ZeoPlus (similar to the filtration mechanism of sand), ZeoPlus is also capable of filtering the smaller particulates by catching them within its micro porous structure and surface irregularities.

It is this dual filtration action that helps ZeoPlus achieves superior water clarity.

Ammonia Removal

Ammonia is released whenever fish waste or fish food breaks down in the pond water. This chemical is very toxic to the fishes and it should be removed immediately or it needs to be converted to nitrates by nitrifying bacterias.



ZeoPlus is particularly suitable for koi ponds where high levels of ammonia are an ever present danger .

Technical Specification

Model No.	Valve Size (mm)	Inner Dia. (mm)	Filter Area (sq.m ²)	Bed Depth (mm)	Max. Flow* (lpm)	Media Volume (litres)	ZeoPlus 0.6 - 1.2mm (kg)
CP500	40	500	0.20	250	157	62	75
CP600	40	600	0.28	250	226	89	107

Water Treatment Filters



MICRON W FILTERS with MPV 7 Bar pressure rating

Part Number	Product Description
22472510	Micron W250 (700kPa) - c/w 40mm 5 way MPV
22473010	Micron W300 (700kPa) - c/w 40mm 5 way MPV
22473570	Micron W350 (700kPa) - c/w 40mm 5 way MPV
22474070	Micron W400 (700kPa) - c/w 40mm 5 way MPV
22475070	Micron W500 (700kPa) - c/w 40mm 5 way MPV
22476070	Micron W600 (700kPa) - c/w 40mm 5 way MPV
22477070	Micron W700 (700kPa) - c/w 40mm 5 way MPV

MICRON WD FILTERS with MPV 7 Bar pressure rating (except WD900)

Part Number	Product Description
22483070	Micron WD300 (700kPa) - c/w 40mm 5 way MPV
22483570	Micron WD350 (700kPa) - c/w 40mm 5 way MPV
22484070	Micron WD400 (700kPa) - c/w 40mm 5 way MPV
22485070	Micron WD500 (700kPa) - c/w 40mm 5 way MPV
22486070	Micron WD600 (700kPa) - c/w 40mm 5 way MPV
22487070	Micron WD700 (700kPa) - c/w 40mm 5 way MPV
22489001	Micron WD900 (400kPa) - c/w 50mm 5 way MPV

Waterco Micron filters are known throughout the industry for their impressive performance and reliability. Manufactured from the highest grade of non corrosive materials and employing the latest in fibreglass winding technology, Micron filters are built for many years of trouble free operation.

Micron W & WD filters are designed with filter depths of 600mm and 1000mm respectively, providing enhanced in-depth filtration and increased dirt retention capacity. Combining filter housing and various filter media, the Micron W Filters can be fitted in configurations to provide multi-stage comprehensive water conditioning.

Specifications - Micron W Filter (600mm bed depth)

Filter Model	Filter Area	Filtration Flow Rate			Backwash Flow Rate	Media Volume	Sand 16/30	Zeoplus 0.6-1.2mm
		24m ³ /hr/m ²	30m ³ /hr/m ²	36m ³ /hr/m ²				
		m ²	m ³ /hr					
W250	0.05	1.20	1.5	1.8	2.0	41	60	49
W300	0.07	1.68	2.1	2.5	2.8	58	85	70
W350	0.10	2.40	3.0	3.6	4.0	79	115	95
W400	0.13	3.12	3.9	4.7	5.2	79	115	95
W500	0.20	4.80	6.0	7.2	8.0	123	180	148
W600	0.28	6.72	8.4	10.1	11.2	175	256	210
W700	0.38	9.12	11.4	13.7	15.2	240	350	288

Specifications - Micron WD Filter (1000mm bed depth)

Filter Model	Filter Area	Filtration Flow Rate			Backwash Flow Rate	Media Volume	Sand 16/30	Zeoplus 0.6-1.2mm
		24m ³ /hr/m ²	30m ³ /hr/m ²	36m ³ /hr/m ²				
		m ²	m ³ /hr					
WD300	0.07	1.68	2.1	2.5	2.8	86	126	103
WD350	0.10	2.40	3.0	3.6	4.0	116	169	139
WD400	0.13	3.12	3.9	4.7	5.2	129	188	155
WD500	0.20	4.80	6.0	7.2	8.0	199	291	239
WD600	0.28	6.72	8.4	10.1	11.2	288	420	346
WD700	0.38	9.12	11.4	13.7	15.2	394	575	473
WD900	0.64	15.36	19.2	23.0	25.6	692	1010	830

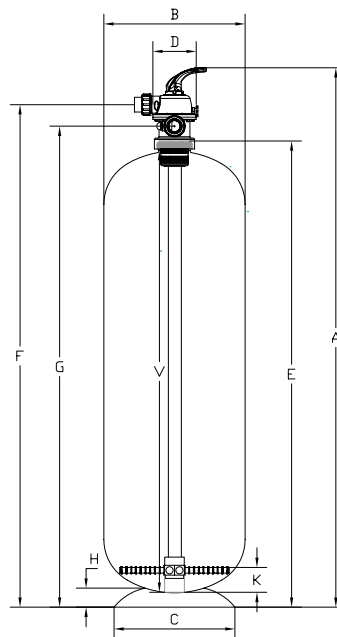
Water Treatment Filters

Dimension - W Filter (mm)

Model	A	B	C	D	E	F	G	H	V	K
W250	1385	268	304	160	1119	1252	1172	162	955	180
W300	1366	322	346	160	1100	1233	1153	175	955	180
W350	1397	366	355	160	1130	1262	1183	63	1010	180
W400	1377	416	355	160	1110	1242	1163	63	995	76
W500	1415	518	443	160	1148	1280	1201	69	1014	76
W600	1402	620	540	160	1135	1267	1188	88	992	76
W700	1407	720	540	160	1140	1272	1193	88	1015	86

Dimension - WD Filter (mm)

Model	A	B	C	D	E	F	G	H	V	K
WD300	1977	315	301	160	1710	1841	1762	75	1590	180
WD350	1997	366	356	160	1730	1861	1782	63	1612	180
WD400	1987	416	356	160	1720	1851	1772	63	1595	76
WD500	2009	518	443	160	1742	1873	1794	69	1600	76
WD600	1997	620	540	160	1730	1861	1782	88	1582	76
WD700	2002	720	540	160	1735	1866	1787	88	1622	86
WD900	2070	918	678	220	1720	1890	1790	120	1578	170





Waterco Malaysia Commercial Water Treatment

Ronald McDonald House Charities (Kuala Lumpur, Malaysia)



Ronald McDonald House Charities is an American independent non-profit organization and this house is filled with more than help, they're filled with hope.



When you have children facing serious health challenges, clean, healthy water is essential to their recovery. A high quality filtration - Micron Deep Bed Sand Filter was recommended by Waterco as a solution.

Healthy water for under-privileged children

Ronald McDonald House Charities (Selangor, Malaysia)

Ronald McDonald House Charities is an American independent non-profit organization whose stated mission is to create, find, and support programs that directly improve the health and wellbeing of children. In general, Ronald McDonald House programs offer rooms for families of paediatric patients 21 years old and younger. And, for children facing a serious medical crisis, nothing seems scarier than not having mom and dad close by for love and support. A Ronald McDonald House provides a place for families to call home so they can stay close by their hospitalized child at little to no cost.

Faced with poor potable water affected by sedimentation caused by rusty incoming water supply pipelines, RMHC House Manager Idayu Binti Mukti needed an easy-to operate filter for the main pipe.

Waterco's sales representative Roy Goh recommended three high-quality filtration products - a Micron Deep Bed Sand Filter (model W500), 40mm Multiport Valve and Zeoplus Superior Filter Media. Together they provide enhanced, in-depth filtration, increased dirt retention capacity, and reduced maintenance due to their durable construction.

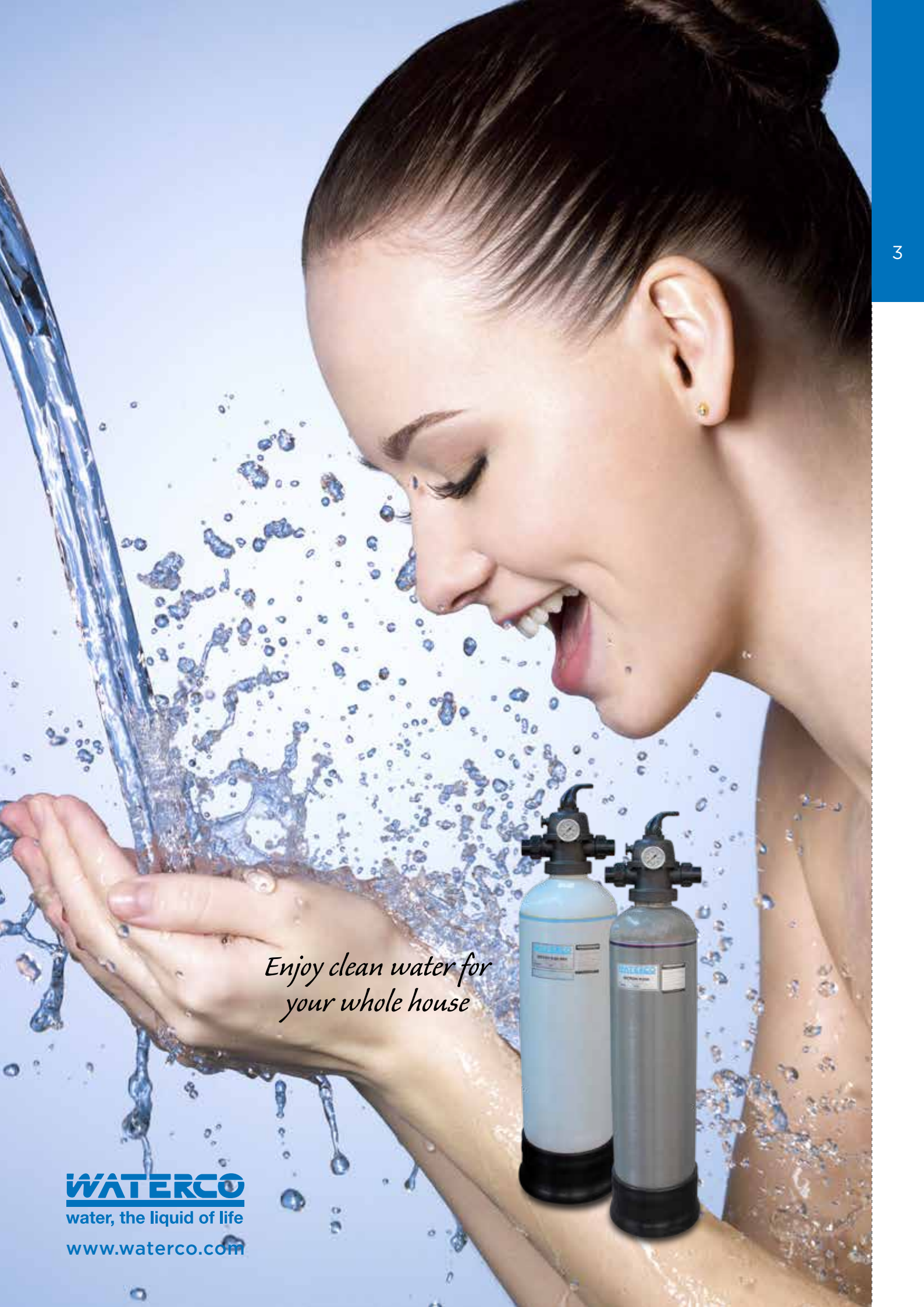


Since installing Waterco's filtration solution, residents and staff at Ronald McDonald House have enjoyed clean, clear water free from impurities.



Ronald McDonald House programs offer rooms for families of paediatric patients 21 years old and younger.

Since installing Waterco's filtration solution in January 2017, residents and staff at Ronald McDonald House have enjoyed clean, clear water free from impurities. This is reassuring to everyone involved in the facility, especially the children and their families.



*Enjoy clean water for
your whole house*

WATERCO
water, the liquid of life
www.waterco.com

Water Treatment Filters



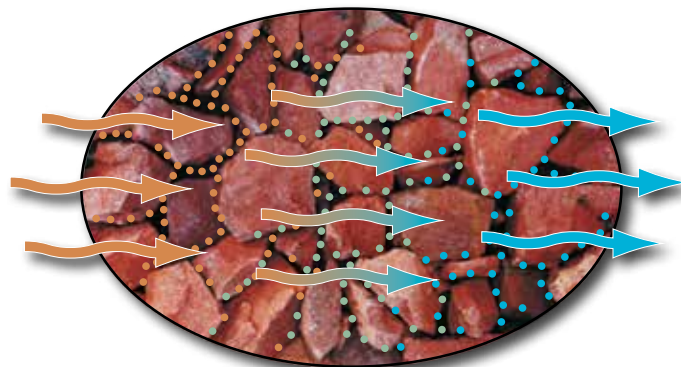
MICRON PRO SERIES FILTER

Part Number	Product Description	Pressure Rating
Filter + MPV + ZeoPlus		
MP400	Micron W400 - c/w 40mm 5way MPV with ZeoPlus	7 bar
MP500	Micron W500 - c/w 40mm 5way MPV with ZeoPlus	7 bar
MP600	Micron W600 - c/w 40mm 5way MPV with ZeoPlus	7 bar
MP700	Micron W700 - c/w 40mm 5way MPV with ZeoPlus	7 bar
MPD300	Micron WD300 - c/w 40mm 5way MPV with ZeoPlus	7 bar
MPD400	Micron WD400 - c/w 40mm 5way MPV with ZeoPlus	7 bar
MPD500	Micron WD500 - c/w 40mm 5way MPV with ZeoPlus	7 bar
MPD600	Micron WD600 - c/w 40mm 5way MPV with ZeoPlus	7 bar
MPD700	Micron WD700 - c/w 40mm 5way MPV with ZeoPlus	7 bar
MPD900	Micron WD900 - c/w 50mm 5way MPV with ZeoPlus	4 bar

Dual Filtration

ZeoPlus provides excellent mechanical filtration of suspended particles. In addition to trapping the larger particulates between the grains of the ZeoPlus (similar to the filtration mechanism of sand), ZeoPlus is also capable of filtering the smaller particulates by catching them within its micro porous structure and surface irregularities.

It is this dual filtration action that helps ZeoPlus achieves superior water clarity.



Technical Specification

Model	Filter	Valve Size mm	Inner Dia. mm	Filter Area m ²	Bed Depth mm	Filtration Flow rate				Media Volume litres	Zeoplus 0.6 - 1.2mm kg
						20m ³ /hr/m ²		36m ³ /hr/m ²			
						lpm	m ³ /hr	lpm	m ³ /hr		
MP400	W400	40	400	0.13	600	43	2.6	78	4.7	79	95
MP500	W500	40	500	0.20	600	67	4.0	120	7.2	123	148
MP600	W600	40	600	0.28	600	93	5.6	168	10.1	175	210
MP700	W700	40	700	0.38	600	127	7.6	228	13.7	240	288
MPD300	WD300	40	300	0.07	1000	23	1.4	42	2.5	86	103
MPD400	WD400	40	400	0.13	1000	43	2.6	78	4.7	129	155
MPD500	WD500	40	500	0.20	1000	67	4.0	120	7.2	199	239
MPD600	WD600	40	600	0.28	1000	93	5.6	168	10.1	288	346
MPD700	WD700	40	700	0.38	1000	127	7.6	228	13.7	394	473
MPD900	WD900	50	900	0.64	1000	213	12.8	384	23.0	692	830

Water Treatment Filters

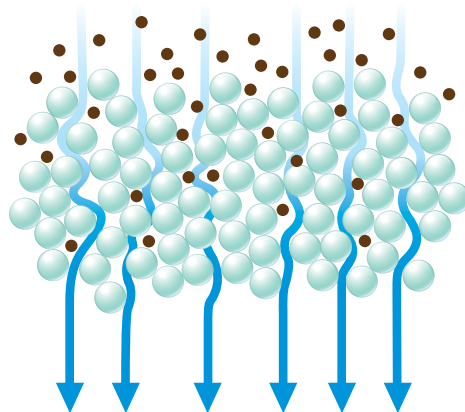


AQUACRYSTAL SERIES FILTER

Part Number	Product Description	Pressure Rating
Filter + MPV + Glass Pearls		
AC250	Micron W250 - c/w 40mm 5way MPV with Glass Pearl	7 bar
AC300	Micron W300 - c/w 40mm 5way MPV with Glass Pearl	7 bar
AC400	Micron W400 - c/w 40mm 5way MPV with Glass Pearl	7 bar
AC500	Micron W500 - c/w 40mm 5way MPV with Glass Pearl	7 bar
AC600	Micron W600 - c/w 40mm 5way MPV with Glass Pearl	7 bar
AC700	Micron W700 - c/w 40mm 5way MPV with Glass Pearl	7 bar
ACD300	Micron WD300 - c/w 40mm 5way MPV with Glass Pearl	7 bar
ACD400	Micron WD400 - c/w 40mm 5way MPV with Glass Pearl	7 bar
ACD500	Micron WD500 - c/w 40mm 5way MPV with Glass Pearl	7 bar
ACD600	Micron WD600 - c/w 40mm 5way MPV with Glass Pearl	7 bar
ACD700	Micron WD700 - c/w 40mm 5way MPV with Glass Pearl	7 bar
ACD900	Micron WD900 - c/w 50mm 5way MPV with Glass Pearl	4 bar

Safe and Save

Glass Pearls are manufactured from 100% pure glass and are chemically inert. Its spherical shape with no sharp edges, making them really safe to use. The superior purity greatly reduces its initial and long term operational backwash duration which enables easy filter start up, as well as time and water savings.



Technical Specification

Model	Filter	Valve Size mm	Inner Dia. mm	Filter Area m ²	Bed Depth mm	Filtration Flow rate				Media Volume litres	Glass Pearl 0.6 -0.8mm kg
						20m ³ /hr/m ²		36m ³ /hr/m ²			
						lpm	m ³ /hr	lpm	m ³ /hr		
AC250	W250	40	250	0.05	600	17	1.0	30	1.8	41	66
AC300	W300	40	300	0.07	600	23	1.4	42	2.52	58	93
AC400	W400	40	400	0.13	600	43	2.6	78	4.7	79	127
AC500	W500	40	500	0.20	600	67	4.0	120	7.2	123	198
AC600	W600	40	600	0.28	600	93	5.6	168	10.1	175	282
AC700	W700	40	700	0.38	600	127	7.6	228	13.7	240	386
ACD300	WD300	40	300	0.07	1000	23	1.4	42	2.5	86	138
ACD400	WD400	40	400	0.13	1000	43	2.6	78	4.7	129	208
ACD500	WD500	40	500	0.20	1000	67	4.0	120	7.2	199	320
ACD600	WD600	40	600	0.28	1000	93	5.6	168	10.1	288	464
ACD700	WD700	40	700	0.38	1000	127	7.6	228	13.7	394	634
ACD900	WD900	50	900	0.64	1000	213	12.8	384	23.0	692	1114

Water Treatment Filters



IRON-X SERIES FILTER

Part Number	Product Description	Pressure Rating
Filter + MPV + DMI-Plus		
IX250	Micron W250 - c/w 40mm 5way MPV with DMI-PLUS	7 bar
IX300	Micron W300 - c/w 40mm 5way MPV with DMI-PLUS	7 bar
IX400	Micron W400 - c/w 40mm 5way MPV with DMI-PLUS	7 bar
IX500	Micron W500 - c/w 40mm 5way MPV with DMI-PLUS	7 bar
IX600	Micron W600 - c/w 40mm 5way MPV with DMI-PLUS	7 bar
IX700	Micron W700 - c/w 40mm 5way MPV with DMI-PLUS	7 bar
IXD300	Micron WD300 - c/w 40mm 5way MPV with DMI-PLUS	7 bar
IXD400	Micron WD400 - c/w 40mm 5way MPV with DMI-PLUS	7 bar
IXD500	Micron WD500 - c/w 40mm 5way MPV with DMI-PLUS	7 bar
IXD600	Micron WD600 - c/w 40mm 5way MPV with DMI-PLUS	7 bar
IXD700	Micron WD700 - c/w 40mm 5way MPV with DMI-PLUS	7 bar
IXD900	Micron WD900 - c/w 50mm 5way MPV with DMI-PLUS	4 bar

Proven Iron and Manganese Removal

DMI-Plus catalytic surface contains Manganese Oxide that oxidizes Ferrous Bicarbonate to Ferric Hydroxide. Insoluble Ferric Hydroxide will then be removed through media surface. The catalytic surface of DMI-Plus oxidizes manganese to manganese hydroxide, in which it will be adsorbed and swapped with molecular oxygen in the lattice on catalytic surface.



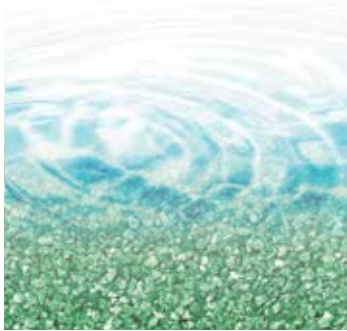
Technical Specification

Model	Filter	Valve Size mm	Inner Dia. mm	Filter Area m ²	Bed Depth mm	Filtration Flow rate		Media Volume litres	Iron-X 0.3 - 0.6mm kg
						30m ³ /hr/m ²			
						lpm	m ³ /hr		
IX250	W250	40	250	0.05	600	25	1.5	41	60
IX300	W300	40	300	0.07	600	35	2.1	58	85
IX400	W400	40	400	0.13	600	65	3.9	79	115
IX500	W500	40	500	0.20	600	100	6.0	123	180
IX600	W600	40	600	0.28	600	140	8.4	175	256
IX700	W700	40	700	0.38	600	190	11.4	240	350
IXD300	WD300	40	300	0.07	1000	35	2.1	86	126
IXD400	WD400	40	400	0.13	1000	65	3.9	129	188
IXD500	WD500	40	500	0.20	1000	100	6.0	199	291
IXD600	WD600	40	600	0.28	1000	140	8.4	288	420
IXD700	WD700	40	700	0.38	1000	190	11.4	394	575
IXD900	WD900	50	900	0.64	1000	320	19.2	692	1010

*Max Filtration flow rate is 30m³/hr/m²

*Recommend backwash rate is 40-48m³/hr/m²

Water Treatment Filters



CHLORFREE SERIES FILTER

Part Number	Product Description	Pressure Rating
Filter + MPV + GAC-Plus		
CF250	Micron W250 - c/w 40mm 5way MPV with GAC-PLUS	7 bar
CF300	Micron W300 - c/w 40mm 5way MPV with GAC-PLUS	7 bar
CF400	Micron W400 - c/w 40mm 5way MPV with GAC-PLUS	7 bar
CF500	Micron W500 - c/w 40mm 5way MPV with GAC-PLUS	7 bar
CF600	Micron W600 - c/w 40mm 5way MPV with GAC-PLUS	7 bar
CF700	Micron W700 - c/w 40mm 5way MPV with GAC-PLUS	7 bar
CFD300	Micron WD300 - c/w 40mm 5way MPV with GAC-PLUS	7 bar
CFD400	Micron WD400 - c/w 40mm 5way MPV with GAC-PLUS	7 bar
CFD500	Micron WD500 - c/w 40mm 5way MPV with GAC-PLUS	7 bar
CFD600	Micron WD600 - c/w 40mm 5way MPV with GAC-PLUS	7 bar
CFD700	Micron WD700 - c/w 40mm 5way MPV with GAC-PLUS	7 bar
CFD900	Micron WD900 - c/w 50mm 5way MPV with GAC-PLUS	4 bar

Versatile Adsorbent Filtration

Treatment with GAC-Plus is based primarily on the phenomenon known as adsorption, in which molecules of a liquid adhere to an external or internal surface. GAC-Plus has a very large internal surface area (up to 900 m²/g) which makes it highly suitable for adsorption.

Advantages

- **Versatility & high adsorption**
Capacity in various raw water source
- **Potable water grade**
For peace of mind
- **Endorsed Certification**
EN12915, NSF61 Endorsed certification
AWWA B604, Halal Certified, Kosher Certified, Food Chemicals Code
- **Convenient**
Simply apply to water with desired concentration
- **Low cost**
Works well without any dosing equipment

Technical Specification

Model	Filter	Valve Size (mm)	Inner Dia. (mm)	Filter Area (m ²)	Bed Depth (mm)	Filtration Flow rate 20m ³ /hr/m ²		Media Volume (litres)	GAC-Plus 0.6mm (kg)
						(lpm)	(m ³ /hr)		
CF250	W250	40	250	0.05	600	17	1.0	41	17
CF300	W300	40	300	0.07	600	23	1.4	58	24
CF400	W400	40	400	0.13	600	43	2.6	79	33
CF500	W500	40	500	0.20	600	67	4.0	123	52
CF600	W600	40	600	0.28	600	93	5.6	175	74
CF700	W700	40	700	0.38	600	127	7.6	240	101
CFD300	WD300	40	300	0.07	1000	23	1.4	86	36
CFD400	WD400	40	400	0.13	1000	43	2.6	129	54
CFD500	WD500	40	500	0.20	1000	67	4.0	199	84
CFD600	WD600	40	600	0.28	1000	93	5.6	288	121
CFD700	WD700	40	700	0.38	1000	127	7.6	394	165
CFD900	WD900	50	900	0.64	1000	213	12.8	692	291

Maximum backwash flow rate 20m³/hr/m²



A background image showing several clear glass beads of various sizes scattered on a dark, textured surface. The beads are out of focus, with some in the foreground appearing sharper than others. The overall tone is monochromatic, with shades of gray and white.

FILTER MEDIA

Filter Sand -----	80
Glass Pearls -----	80
Ecopure -----	80
Zeolite -----	80
Biological Filtration -----	81
DMI Plus -----	81
GAC Plus -----	81

Filter Media

WATERCO FILTER MEDIA

Part Number	Product Description	Packing Size	Bulk Density
W03701	Waterco Sand 0.6 - 1.2mm (only for West Malaysia)	25 kg	1.46 kg/L
W99376	Waterco Sand 0.6 - 1.2mm (only for West Malaysia)	50 kg	1.46 kg/L
35320011	Glass Pearls 0.6 - 0.8mm	20 kg	1.61 kg/L
35320014	Ecopure Crushed Glass 0.5 - 1.0mm	20 kg	1.33 kg/L
3535013	Waterco ZeoPlus 0.3 - 1.2mm	25 kg	1.20 kg/L
3535011	Waterco ZeoPlus 0.6 - 1.2mm	25 kg	1.20 kg/L
3532520	Aquabiome Media 3 - 5mm	20 kg	0.50 kg/L
3532010	Iron Removal Resin DMI65 0.3 - 0.6mm	21 kg	1.46 kg/L
W01440	Granular Activated Carbon GAC Plus 0.4 - 1.7mm	25 kg	0.46 kg/L



FILTER SAND

Filter sand is naturally occurring, graded and washed silicon dioxide. An inert media, it is hard and durable and has a long service life.

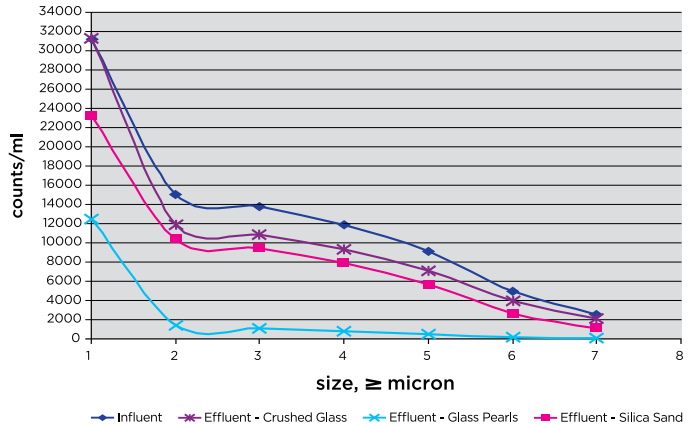
GLASS PEARLS

Manufactured from pure glass, Glass Pearls are a new generation of filter media, capable of providing water of superior clarity.

Its spherical shape results in low coefficient of friction, reducing backwash requirements, saving pool owners both time and water.

- 3 micron filtration
- High purity
- Time saving
- 20% less backwash water
- Safe and smooth
- 0.6mm to 0.8mm in size

Particle Count Comparison



ECOPURE CRUSHED GLASS

Waterco's Glass filter media is manufactured from recycled glass, it is an environmentally friendly and viable alternative to sand. Plus it offers finer filtration than sand.



ZEOPLUS

ZeoPlus is a naturally occurring mineral rock, found in areas where there has been historic volcanic activity. Its microporous structure and ammonia removal properties will significantly improve the quality of your swimming pool water.

Filter Media



BIOLOGICAL FILTRATION

Biological filtration is the most effective method of removing toxins (ammonia) and breaking it down into nitrites and then into nitrates which provide food to your aquatic plants (referred to as the Nitrogen Cycle). This is accomplished by using naturally occurring bacteria and giving it a place to live in the Biofilter media where it is exposed to large quantities of food and oxygen.



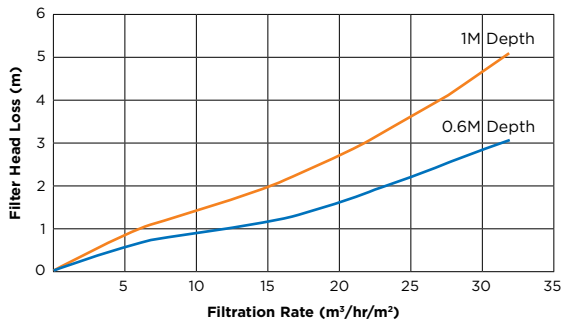
DMI PLUS

DMI Plus is an extremely powerful catalytic water filtration media that is designed for the removal of iron and manganese in water. The media displays colour from dark brown to black, in which the colour is produced by Manganese Oxide in the outer layer of the granules. DMI Plus acts as an oxidation catalyst with immediate oxidation and filtration of the insoluble precipitates.

Linear Velocity for Iron & Manganese Concentrations

Iron Concentration	Linear velocity	Manganese Concentration
0.3 - 1.0 ppm	15 - 20 m ³ /hr/m ²	-
1 - 5 ppm	10 - 15 m ³ /hr/m ²	-
5 - 15 ppm	7 - 10 m ³ /hr/m ²	0.5 - 1 ppm
> 15 ppm	5 - 7 m ³ /hr/m ²	1 - 2 ppm

Filter head Lost Curves for DMI Plus



DMI-Plus Physical and Chemical Characteristic

Physical Properties	Specification
Color	Brown to Black
Bulk Density	1460kg/m ³
Specific Gravity	2.69
Effective Size	0.3 - 0.6mm
Uniformity Coefficient	1.4
pH Range	5.8 - 8.6
Max Water Temp.	50°C



GAC PLUS

GAC Plus granular activated carbon has porous structure that effectively removes dissolved organic matter, pesticides and chlorine in raw water source, while significantly improves water quality.

- Removal of chlorine
- Removal of taste and odour problems
- Removal of organic and non polar contaminants

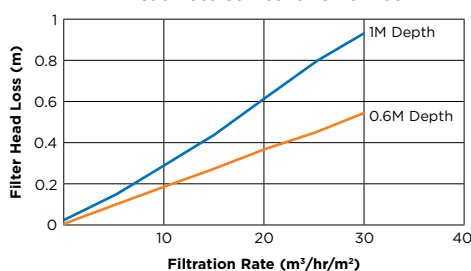
GAC-Plus Specification

Description	Specification
Apparent Density	460 kg/m ³
Effective Size	1.70 - 0.43mm
Methylene Blue Adsorption	14g/100g
Total Surface Area	900m ² /g
Ball-pan Hardness	96%
Effective Size D10	0.6 mm
Uniformity coefficient	< 1.7
Ash Content	Max. 15%

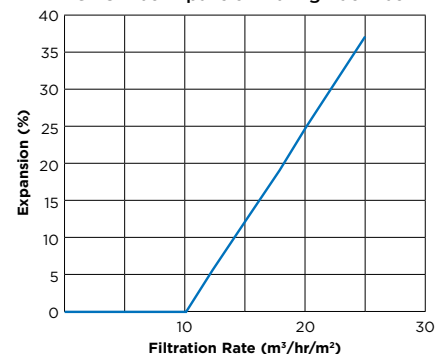
Approvals and Certifications

- EN12915
- NSF 61 Standard
- AWWA B604
- Halal certified
- Kosher certified
- Food Chemicals Codex

Head Loss Curves for GAC-Plus



GAC-Plus Expansion During Backwash





Waterco Europe Commercial Swimming Pool

Lee Chapel Primary School, Basildon (Essex, UK)



A legacy for future generations

Lee Chapel Primary School, Basildon (Essex, UK)

For the head teacher of Lee Chapel Primary School, Sue Jackson, she has been spending countless years for fundraising from the government and local authority to open a pool on the school grounds so children of all ages can participate. In 2017, the school finally reached its target, engaging the services of commercial swimming pool specialists Gunton Swimming Pools and Hydrospec Engineering who immediately turned to Waterco products on whether specifying or installing.

Waterco partnered with Hydrospec to supply two SPDD1600 nozzle commercial filters with one Dual Pressure Gauge Panel, one Hydrostar Plus 7.5HP Commercial Pump and six Commercial Supa Skimmers.



Micron SPDD filters incorporate a patented nozzle plate system which promotes uniform water flow when filtering and backwashing.

Nozzle plate filters were used over the more conventional lateral commercial filters in order to produce a better standard of fluidisation and sanitisation. The filters can be used with a combination of in-depth filtration techniques, and a variety of media, to provide everything from sediment removal to the elimination of minerals and odours from pool water.



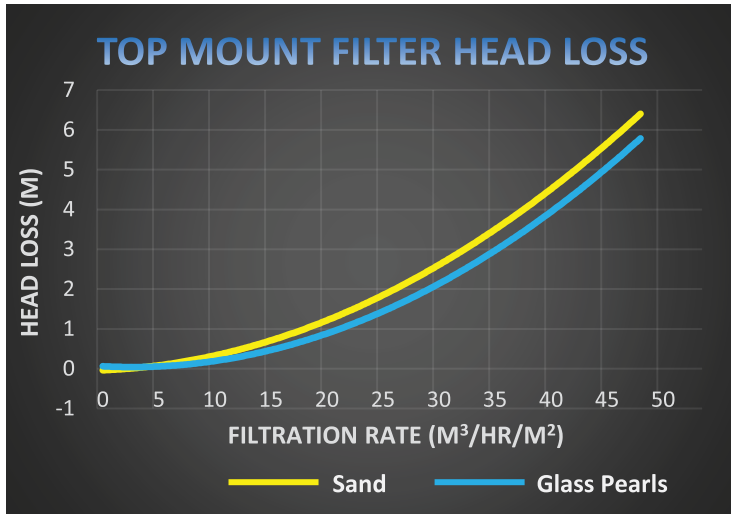
Ecopure glass has undergone specialised heat treatment process, which reduces degradation and therefore lengthens its life span.

The filter media used is Waterco's EcoPure recycled glass media, which removes 30 per cent more pollutants than sand media, is less susceptible to bio-fouling, and reduces chemical treatment costs. "EcoPure Glass media is a high quality recycled glass that is fast becoming the preferred choice of many installers when looking for an alternative to conventional sand," says Tony Fisher, managing director of Waterco Europe.

Thanks to Sue's initial vision and the determination of the entire school community, pupils now have weekly swimming classes taught by experienced teachers and brand new safety equipment.

EFFICIENCY IN FILTRATION DESIGN

Filtration rate or filtration velocity affects filtrate quality, head loss and power consumption. In pool and spa application, normally the filtration rate falls in between 30 - 36 m³/hr/m².



Refer in-house test result:

- When you decrease sand filter filtration rate from 36 m³/hr/m² to 24 m³/hr/m², head loss will be halved.
- By using glass pearls, filter head loss is recorded to drop approximately 20% (at 30 - 36 m³/hr/m²).

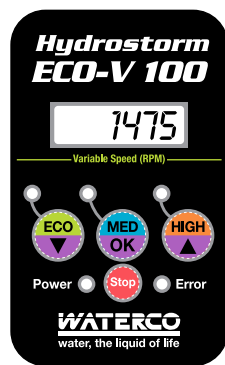
*For info on glass pearls, please refer page 80.

By splitting filtration into 2 filters, filtration rate can be made lower, thus increasing filtration efficiency and reducing pump work load. Example of Supastream 100 with S600 as below:



Filtration (S600)	Backwash (S600)
Split between 2 filters	Isolate one filter
117 lpm	234 lpm
25m ³ /hr/m ²	50m ³ /hr/m ²

Using variable speed pump is another option to achieve slow filtration rate, at the same time save electricity cost. Example of Hydrostorm ECO-V100 with S702 as below:



Filtration (S702)	Backwash (S702)
Low speed	High speed
126 lpm	252 lpm
20m ³ /hr/m ²	40m ³ /hr/m ²
0.28kW/hr	0.86kW/hr

*For info on energy efficient pump, please refer page 17-19.



HEATERS

Electroheat MKV

9kW/12kW/15kW/19kW/23kW----- 87

Electroheat Plus

25kW/31kW/37kW/44kW----- 88

Electroheat PRO 100/150/250----- 90

Electroheat Ultra

19kW/23kW/29kW/44kW----- 94

Electroheat ECO V Inverter

Pool Heat Pumps 12kW/25kW----- 95

Electroheat Bypass Kit

283mm/360mm/460mm----- 96

Flocheck Valve----- 96

Digiheat

2.4kW/3.6kW/4.8kW/6.0kW/
18kW/24kW----- 97

Gas Heater

Turbotemp 125/200/300/400----- 99

SolarMate

Classic/Ruby----- 101

Sapphire/Apollo----- 102

Electr Heat MKV



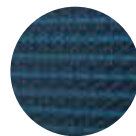
Smart controls - for temperature management and self diagnosis



Dual coil titanium heat exchanger - Maximising water contact for efficient heat transfer



Unique modern robust design - noise & vibration reduction



Hydrophilic Blue fin evaporator technology - improved corrosion resistance



Improved condensate collection - two fitted spigots to allow drainage hose connection

www.waterco.com



Heating



Electroheat MKV pool heat pumps feature compact design and horizontal venting and are ideal for heating:

- Available in 9, 12, 15, 19 & 23kW heating capacities

The Electroheat heat pump range are an ideal solution for heating:

-  Swimming pools to extend the season
-  Swimming pools for year round enjoyment
-  Plunge pools
-  Swim spas and spas

ELECTROHEAT MKV HEAT PUMPS - R410A

Part Number	Product Description	Nominal Size
278095	Electroheat MK V 9KW 240V 10A Plug	9kW
278123	Electroheat MK V 12KW 240V 15A Plug	12KW
278152	Electroheat MK V 15KW 240V 50HZ	15KW
278192	Electroheat MK V 19KW 240V 50HZ	19KW
278232	Electroheat MK V 23KW 240V 50HZ	23KW

Performance Specifications					
	Electroheat MKV				
Nominal Power Output (kW)*	9	12	15	19	23
Nominal Heating Capacity BTU*	30700	41000	51000	64000	78,500
Product Code	278095	278123	278152	278192	278232
Power Output (kW): Air 26C / Water 26C / RH63%	8.9	11.7	13.5	18.5	21.8
COP	5.9	6.1	6.1	6.3	6.2
Power Output (kW): Air 15C / Water 24C / RH 70%	6.8	9.2	9.4	17.0	20.0
COP	4.8	4.8	4.3	5.8	5.7
Supply Voltage (VAC)	240	240	240	240	240
Supply Voltage Phase	Single Phase				
Power Consumption (kW/h)	1.5	1.9	2.2	2.9	3.5
Full Load Amps	9	12	12	22	30
Minimum Breaker or Fuse (AMP)	16	20	20	30	40
Electrical Connection	10A plug	15A plug	Terminals		
Min. / Max. Ambient Air Temperature (C)	10 / 40				
Min. / Max. water inlet temp (C)	18 / 40				
Water Connections (mm)	40mm				
Bypass	External 3 x 2 way				
Min. / Max. Water Flow Rate LPM	120 - 230				
Unit Dry Weight (kg)	51	55	79		
Dimensions W x L x H (mm)	1269 x 361 x 717				
Refrigerant	R410A				
Heat Exchanger Max. pressure	3.5 bar / 350 kPa				

Related products:

- Electroheat Ultra range - Pool heat pumps with hot gas de-icing for cold climates.
- Electroheat Pro range - Pool heat pumps for commercial applications.
- Electroheat ECO V range - Pool Heat pumps with inverter technology.

Clearance

↑
Clearance to rear
minimum 30cm



Dimensions



Heating



Featuring an extra large evaporator area for maximum ambient heat extraction and vertical ventilation the Electroheat Plus is ideal for heating:

- Swimming pools for year round enjoyment
- Swimming pools to extend the season
- Swimming pools where roof space for solar is limited
- Available in 25, 31, 37 & 44kW heating capacities



Double Coil Titanium Heat Exchanger

With much greater surface area and longer contact time, this Waterco innovation allows higher heat transfer, thus delivering some of the highest efficiencies in its class.

A Titanium Heat Exchanger offers total protection against erosion and corrosion. Titanium metal's corrosion resistance is due to a stable, protective, strongly adherent oxide film. This film forms instantly when a fresh surface is exposed to air or moisture.

Titanium is resistant to: chlorinated water, ozone, iodine, Baquacil, bromine and salt water.

ELECTROHEAT PLUS MKIII HEAT PUMPS - R410

Part Number	Product Description	Nominal Size
2782533	Electroheat Plus 25kW MKIII (3 Phase)	25 kW
2783133	Electroheat Plus 31kW MKIII (3 Phase)	31 kW
2783733	Electroheat Plus 37kW MKIII (3 Phase)	37 kW
2784433	Electroheat Plus 44kW MKIII (3 Phase)	44 kW

Performance Specifications				
	Electroheat Plus			
Nominal Power Output (kW)*	25	31	37	44
Nominal Heating Capacity BTU*	85,000	105,000	125,000	150,000
Power Output (kW): Air 26C / Water 26C / RH63%	24.5	30.6	36.2	43.7
COP	4.9	5.5	5.4	5.7
Power Output (kW): Air 15C / Water 24C / RH70%	22.5	28.5	35.0	42.0
COP	4.5	5.2	5.2	5.4
Supply Voltage (VAC)	380 - 415			
Supply Voltage Phase	Three Phase			
Power Consumption (kW/h)	5.0	5.6	6.7	7.7
Full Load Amps (AMP)	12	14	15	17
Minimum Breaker or Fuse (AMP)	20	25	25	32
Electrical Connection	Terminals			
Min./Max. Ambient Air Temperature (C)	10 / 40			
Min./Max. water inlet temp (C)	18 / 40			
Water Connections (mm)	40mm slip			
Water Bypass Type	External Field			
Min./Max. Water Flow Rate LPM	120 - 230	130 - 300		
Weight (kg)	84	87	89	93
Dimensions W x L x H (mm)	780 x 890 x 870	890 x 880 x 1130		
Refrigerant	R410A			

Clearance



Dimensions





Waterco Australia Commercial Swimming Pool

Casuarina Rec Club



State-of-the-art heat pump the solution for NSW recreation centre pools

The Casuarina Rec Club in the far northern NSW town of Casuarina Beach is a state-of-the-art recreation and training facility consisting of a recreation centre, gym, tennis court and two heated swimming pools. The pools are an integral part of the club; there is an outdoor 300,000 litre, 25-metre training pool and an indoor 100,000 litre learn-to-swim pool.

The indoor pool had to be maintained at 28 degrees, suitable for the learn-to-swim clientele, while the outdoor pool needed to maintain a constant 26 degrees, suitable for squad and 'serious' swim training.

The Waterco Electroheat PRO 96 heat pump was deemed the perfect solution; it has a 96 kW heat output, which was ample to provide the desired pool temperatures. Two systems were installed - one for each pool.

The Electroheat PRO 96 has been designed to heat commercial pools with a maximum flow rate of 680 litres/minute and COP of 6.2. It operates with ozone friendly R410A refrigerant, which has dual benefits - it is kinder to the environment and improves the heat pump's performance.

With the new heating system installed, the club can expect to have no issues with pool water temperature control. The pool can be opened whenever needed with no limitations of opening hours, as the heat pump will automatically control the pool water temperature. It positively affects the club's bottom line, as there is no impediment to opening hours, allowing them to maximise their return on investment."



Heating



ELECTROHEAT PRO

Part Number	Product Description	Nominal Size
27883803	Electroheat Pro 100 (3 Phase)	100kW

The new generation Electroheat PRO heat pump is the latest advancement in commercial size swimming pool heating. The PRO 100 has been designed to deliver efficient cost effective large pool heating in an easy to operate and install package.

- Electronically controlled temperature management
- Fault diagnostic system and inbuilt protection devices
- Hermetic scroll compressors
- Titanium heat exchangers
- R410A Refrigerant
- Bluefin treated evaporators



Electroheat Pro Commercial heat pump

The largest of the Electroheat range our 100kW commercial unit has been designed to offer maximum output and reliability in a commercial setting.

The heat pump cabinet is constructed using high gauge powder coated metal sheet ensuring a high quality finish and sturdy construction. The ultra rigid metal base incorporates forklift access thus reducing the risk of damage during transport and allowing for ease of installation once on site.

Double Coil Titanium Heat Exchanger

With much greater surface area and longer contact time, this Waterco innovation allows higher heat transfer, thus delivering some of the highest efficiencies in its class.

A Titanium Heat Exchanger offers total protection against erosion and corrosion. Titanium metal's corrosion resistance is due to a stable, protective, strongly adherent oxide film. This film forms instantly when a fresh surface is exposed to air or moisture.

Titanium is resistant to: chlorinated water, ozone, iodine, Baquacil, bromine and salt water.



Two ½HP fan motors power the two 4-blade 26" fans that provide high volume air flow to the twin evaporators.



The Electroheat Pro boasts innovative design solutions, such as the dual 11HP Sanyo Scroll compressors (380-415V/ 50Hz/3ph), and the control panel which monitors the functioning of both compressors individually, as well as monitoring the 3 phases.

Heating

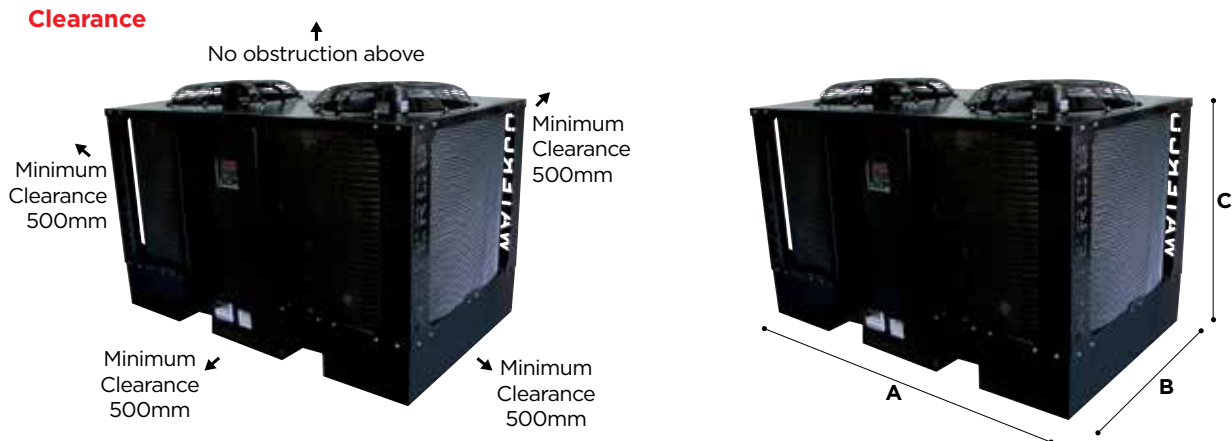
Specifications

Model Number	PRO100
Nominal Heating Capacity*	97kW (331,000 BTU)
Test Lab (26/26/80)	97kW (331,000 BTU)
Test Lab (15/26/70)	67kW (229,000 BTU)
Test Lab (10/26/63)	58kW (198,000 BTU)
Compressor (HP)	(2 x) 11hp
Manufacturer	Sanyo
Compressor number	C-SCP360H38A
Water Flow & Plumbing	
Water Bypass Type	Ext. Field Install
Min./Max. Water Flow Rate (LPM)	500-680
Min./Max. Water Inlet Temperature (°C)	14° - 40°
Plumbing Connection Size (Slip)	80mm/3" PVC
Electrical Specifications	
50Hz Dual Rated Supply Voltage (VAC)	380-415V
Supply Voltage Phase	3
Unit run current (AMP)	29.5
Power consumption (kW)	16.12
Coefficient of Performance @ 26/26/80 (COP)*	6.4
Min./Max. Air Inlet Temperature (°C)	6°/40°
Refrigerant Characteristics	
Refrigerant Type	R-410A
Physical Characteristics	
Cabinet Construction	Powder coat sheet metal
Colour	Black
Weight (kg)	453
Dimensions (mm)	1730W - 1090L - 1120H
Noise Emission Characteristics	
Noise Emission (dBA)	69 @ 1metre & 59 @ 3 metres

* (26/26/60) = Air Temp: 26° / Water Temp 26° / Humidity 60%

Dimensions

Model	A	B	C
Electroheat Pro	1730mm	1090mm	1120mm



Heating

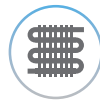


ELECTROHEAT PRO

Part Number	Product Description	Nominal Size
27883803N030	Electroheat Pro 150	150kW
27883803N050	Electroheat Pro 250	250kW

The new generation **Electroheat PRO** series of heat pumps is the latest advancement in commercial size swimming pool heating. The heat pumps have been designed to deliver efficient and cost effective large pool heating in an easy to operate and install package.

- Hydrophilic aluminium evaporator
- Electronically controlled temperature management
- Hermetic scroll compressors
- Titanium heat exchangers
- R410A Refrigerant
- Energy-saving heating solution
- Delayed compressor operation as safety feature



Aluminium Evaporator



Electronically controlled temperature



Scroll Compressors



Titanium heat exchangers



R410A Refrigerant



Energy-saving heating solution



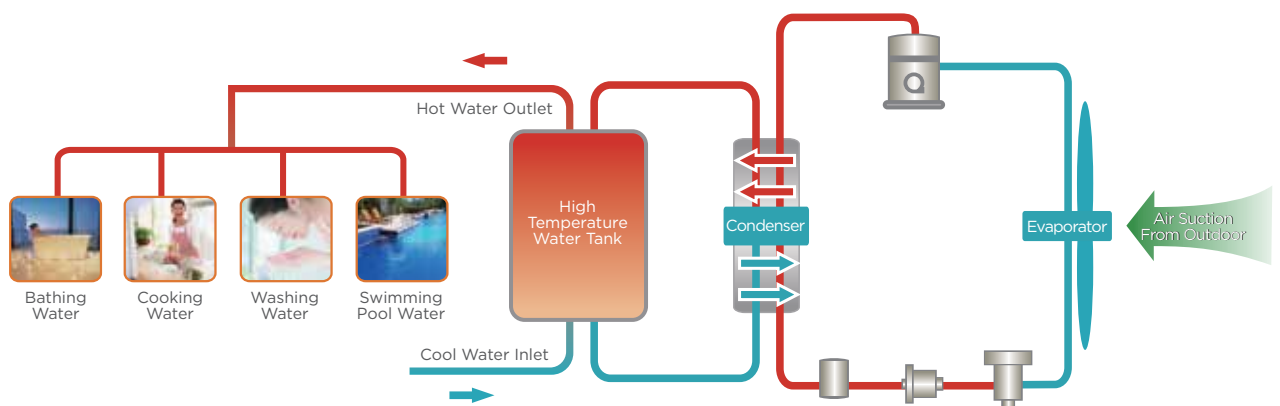
Delayed compressor operation

Electr Heat PRO

Air source heat pump is the innovative heating equipment, which emphasizes on conservation in energy generation and environmental friendly technology. It is a highly efficient machinery in absorbing and transferring energy.

Its operation principle is based on the Reversed Carnot Cycle. By continuously absorbing the surrounding air, the Electroheat Pro Heat Pump is able to conduct heating at a fast rate while ensuring energy conservation and environmental-friendliness.

The high efficiency of Electroheat Pro Heat Pump is coupled with low operating cost. Its power consumption is only a quarter to that of electrical water heater.

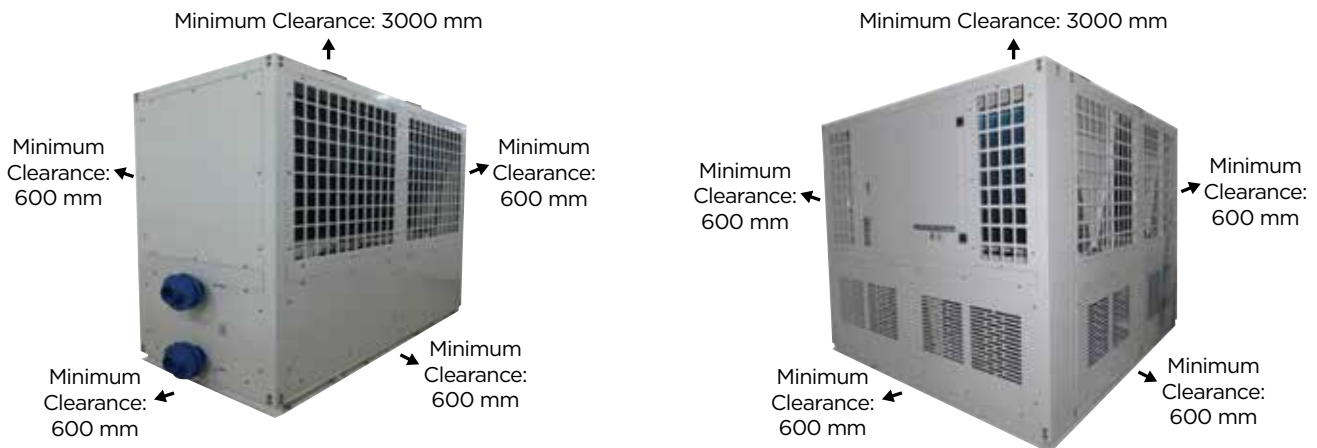


Heating

Specifications

Specifications				
Model			Electroheat PRO 150	Electroheat PRO 250
Air 24°C/Water 27°C (Nominal)	Heating Capacity	kW	150 (511,500 BTU)	250 (852,500 BTU)
	Heating Input	kW	29	49
	COP		5.17	5.10
Air 27°C/Water 27°C	Heating Capacity	kW	157 (537,000 BTU)	262 (895,000 BTU)
	Heating Input	kW	29	50
	COP		5.41	5.24
Air 15°C/Water 27°C	Heating Capacity	kW	112 (384,500 BTU)	191 (652,500 BTU)
	Heating Input	kW	27	47
	COP		4.14	4.06
Air -5°C/Water 27°C	Heating Capacity	kW	66 (225,500 BTU)	110 (375,500 BTU)
	Heating Input	kW	23	39
	COP		2.86	2.82
Air -15°C/Water 27°C	Heating Capacity	kW	45 (153,000 BTU)	75 (255,500 BTU)
	Heating Input	kW	20	35
	COP		2.25	2.14
Air 35°C/Water 27°C	Cooling Capacity	kW	74 (255,500 BTU)	122 (418,000 BTU)
	Cooling Input	kW	31	47
	COP		2.38	2.59
Max. Current		A	80	132
Power Supply		V/Ph/Hz	380-415V/3Ph/50Hz	380-415V/3Ph/50Hz
Compressor	Type		Scroll	Scroll
	Quantity	pcs	2	4
	Capacity	kW	44	37
Refrigerant Type	Type		R410a	R410a
	Quantity	kg	6.5 × 2	5.5 × 4
Evaporator	Type		Hydrophilic aluminium/ φ9.52 inner groove tube	Hydrophilic aluminium/ φ9.52 inner groove tube
	Number of rows		3	2
	Fin spacing	mm	1.8	1.8
Fan motor	Speed		2-speed	2-speed
	Quantity	pcs	2	4
Water Flow Switch			Built-in	Built-in
Controller			Multi System Controller with Large LCD Monitor	Multi System Controller with Large LCD Monitor
Noise		dB(A)	60	65
Water Connection		mm	90 (Metric)	110 (Metric)
Water Flow Rate	Minimum	L/h	25,800	43,000
	Maximum	L/h	65,000	110,000
Dimension	L-W-H	mm	2000-980-1970	2000-2160-2000
Weight	Net Weight	kg	600	1,020

Clearance



Heating



Electroheat Ultra heat pumps will heat your pool even when the ambient air temperature is near freezing point (0°C).

- Energy efficient heating
- Temperature management & self-diagnosis
- Automatic hot gas de-icing for cold climates
- High density titanium heat exchanger
- Weather proof cabine



Double Coil Titanium Heat Exchanger

With much greater surface area and longer contact time, this Waterco innovation allows higher heat transfer, thus delivering some of the highest efficiencies in its class.

A Titanium Heat Exchanger offers total protection against erosion and corrosion. Titanium metal's corrosion resistance is due to a stable, protective, strongly adherent oxide film. This film forms instantly when a fresh surface is exposed to air or moisture.

Titanium is resistant to: chlorinated water, ozone, iodine, Baquacil, bromine and salt water.



ELECTROHEAT ULTRA HEAT PUMPS - R410A c/w hot gas de-icing for cold climates

Part Number	Product Description	Nominal Size
2781912	Electroheat Ultra Rectangular MK5 19kW	19kW
2782312	Electroheat Ultra Rectangular MK5 23kW	23kW
278100313	Electroheat Ultra 29kW (3 Phase)	29 kW
278150313	Electroheat Ultra 44kW (3 Phase)	44 kW

Generally swimming pool heat pump evaporators ice once ambient temperatures drop below 10°C, which negatively impacts on its heating performance. When ice forms on the Electroheat Ultra's evaporator, its refrigeration pipe is automatically reconfigured to allow hot gas to melt the ice off its evaporator; the Electroheat Ultra then reverts back to heating your pool with maximum efficiency.

Performance Specifications				
Nominal Power Output (kW)	19	23	29	44
Nominal Heating Capacity BTU	64,000	78,500	100,000	150,000
Power Output (kW): Air 26C/Water 26C/RH 63%	18.5	21.8	28.4	43.7
COP	6.3	6.2	5.2	5.7
Power Output (kW): Air 15C/Water 24C/RH 63%	17.0	20.0	28.0	42.0
COP	5.8	5.7	5.0	5.0
Supply Voltage (VAC)	240		415	
Supply Voltage Phase	1		3	
Power Consumption (kW/h)	2.9	3.5	5.6	7.7
Full Load Amp (A)	22	30	14	17
Minimum Breaker or Fuse (A)	30	40	25	32
Min./Max. Ambient Air Temperature (°C)	1 / 40			
Min./Max. Water Inlet Temperature (°C)	10 / 40			
Water Connections (mm)	40mm slip			
Water Bypass Type	External Field Install			
Min./Max. Water Flowrate (LPM)	120 - 230		130 - 300	
Weight (kg)	78		87	93
Dimensions W x L x H (mm)	1170 x 320 x 685		890 x 880 x 1130	
Refrigerant	R410A			
Fast Evaporator De-icing	Yes			

Clearance

Clearance to rear minimum 30cm



No obstruction to front

No obstruction to top



Clearance to side minimum 30cm

Clearance to rear minimum 30cm

Clearance to side minimum 30cm

Dimensions



H

W

L



H

W

L

Heating



12kW model



17, 21 & 25kW models

Electroheat ECO V inverter pool heat pumps utilise a variable speed compressor to regulate the pool water temperature automatically and independently.

- Inverter technology uses a variable speed compressor motor similar to a car's engine.
- It slows down and speeds up as needed to hold a selected set temperature
- The desired set temperature will be reached more quickly and maintained more efficiently.
- Inverter technology provides a more precise water temperature without the fluctuations and power wastage of fixed speed systems.
- Inverter technology is significantly more energy efficient with energy savings of up to 30% over fixed speed systems.
- The speed control of the compressor and fan motor also means quieter operation.

ELECTROHEAT ECO V INVERTER POOL HEAT PUMPS

Part Number	Product Description	Nominal Size
2781210	Electroheat ECO-V Inverter 12kW 15A Plug Heat Only	12kW
2782510	Electroheat ECO-V Inverter 25kW Heat/Cool	25kW

Specifications

Performance Specifications		
Nominal Power Output (kW)	12	25
Nominal Heating Capacity BTU	41,000	85,000
Max. Power Output: Air 26 C / Water 26 C / RH 63%	11.5	26.6
Max. COP	7.9	6.0
Max. Power Output: Air 15 C / Water 26 C / RH 70%	6.0	21.2
Max. COP	2.8	4.5
Supply Voltage (VAC)	240	240
Supply Voltage Phase	Single Phase	Single Phase
Max. Power Consumption (kW/h)	2.4	4.7
Max. Unit Running Amperage (AMP)	10	25
Fan Full Load Amps (FLA)	0.65	0.8
Breaker or Fuse (AMP)	16	25
Min./Max. Ambient Air Temperature (C)	0 / 40	-5 / 43
Min./Max. water inlet temp (C)	10 / 40	1 / 40
Water Connections (mm)	40mm slip	
Water Bypass Type	External Field Install	
Min./Max. Water Flow Rate LPM	115 - 160	160 - 250
Weight (kg)	43	120
Dimensions W x L x H (mm)	636 x 714 x 973	950 x 900 x 1150
Refrigerant	R410A	
Fast Evaporator De-icing	Yes	

Clearance



Dimensions



Heating



ELECTROHEAT Bypass Kits

Part Number	Product Description
69051363	Electroheat Bypass Plumbing Kit 460mm
69051364	Electroheat Bypass Plumbing Kit 283mm
69051365	Electroheat Bypass Plumbing Kit 360mm

Waterco has introduced a new preassembled Heat Pump Bypass kit to make installation and operation easier for our customers and consumers. The bypass is compatible on all Electroheat heat pumps with 460mm & 283mm centred water connections, fitted with 40mm half unions.

Product Code	Product Description	BYPASS Product Code	Outlet Centres
278094	Electroheat MKIV 9kW	69051364	290mm
278122	Electroheat MKIV 12kW	69051364	290mm
278151	Electroheat MKIV 15kW	69051364	290mm
278191	Electroheat MKIV 19kW	69051363	460mm
278231	Electroheat MKIV 23kW	69051363	460mm
2782533	Electroheat Plus 25kW	69051363	460mm
2783133	Electroheat Plus 31kW	69051363	460mm
2783733	Electroheat Plus 37kW	69051363	460mm
2784433	Electroheat Plus 44kW	69051363	460mm
2782311	Electroheat Ultra 23kW	69051363	460mm
278100313	Electroheat Ultra 29kW	69051363	460mm
278150313	Electroheat Ultra 44kW	69051363	460mm
2781210	Electroheat ECO-V 12kW	69051364	290mm
2782510	Electroheat ECO-V 25kW	69051365	360mm



FLOCHECK VALVE

Part Number	Product Description	Nominal Size
Solar Flocheck valves		
85540	Flocheck valve (Calibrated to 60LPM on/30LPM off)	40mm
85530	Flocheck valve (Calibrated to 60LPM on/30LPM off)	50mm
Heatpump, gas heater, electric heater Flocheck valve		
85531	Flocheck valve - Digiheat (calibrated to 200lpm)	50mm

The Flocheck valve monitors water flow and will stop the solar pump or heater if the filtration system is not primed with water.

Heating



Digiheat inline heaters are versatile and easy to use. Program your desired water temperature and let Digiheat do the rest.

- Digital temperature management & self diagnosis
- Corrosion resistant heating element
- Streamline weather proof housing
- Available in sizes 2.4, 3.6, 4.8, 6.0, 18 & 24kW

DIGIHEAT INLINE HEATERS - hard wired

Part Number	Product Description	Nominal Size
2810240	Digiheat 2.4kW Inline Heater - Titanium Element	2.4kW
2810360	Digiheat 3.6kW Inline Heater - Titanium Element	3.6kW
2810480	Digiheat 4.8kW Inline Heater - Titanium Element	4.8kW
2810600	Digiheat 6.0kW Inline Heater - Titanium Element	6.0kW
2811830	Digiheat 18.0kW Inline Heater - Titanium Element	18.0kW
2812430	Digiheat 24.0kW Inline Heater - Titanium Element	24.0kW

Specifications

Code	DigiHeat Model	Volts	Current Draw	Minimum Circuit Size	Connection Size	Minimum Flow Rate
281024	2.4kW	240 Volts (single phase)	10A	15A	40mm	100 litres / minute
281036	3.6kW	240 Volts (single phase)	15A	20A	40mm	100 litres / minute
281048	4.8kW	240 Volts (single phase)	20A	25A	40mm	100 litres / minute
281060	6.0kW	240 Volts (single phase)	25A	30A	40mm	100 litres / minute
281183	18.0kW	415 Volts (three phase)	25A	30A	50mm	250 litres / minute
281243	24.0kW	415 Volts (three phase)	35A	40A	50mm	250 litres / minute

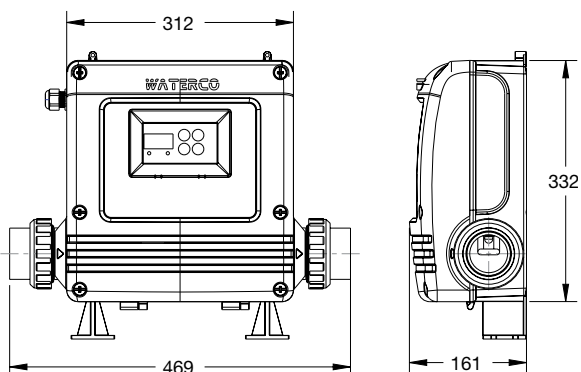
Complies with EN60335.260 and AS3136/NZS6232

Model kW	Time required to heat 1000 litres by 1 deg C in minutes:	Time required to heat 1000 litres by 5 deg C in minutes:
2.4kW	31	155
3.6kW	22	103
4.8kW	15	77
6kW	9	46
18kW	4	20
24kW	3	15

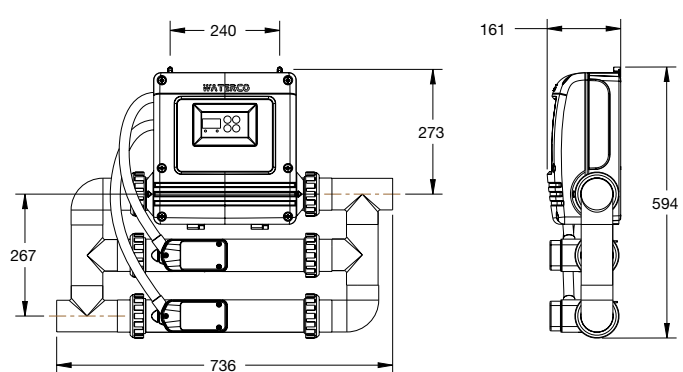
*The above is a only a guide and is dependent upon other factors such as heat loss and ambient conditions at the time of operation.

Dimensions

Single phase model



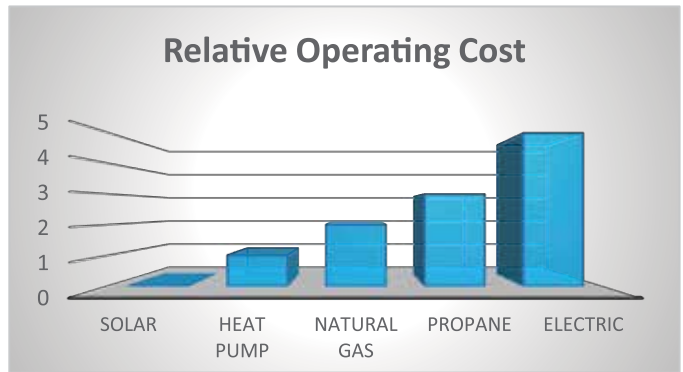
Three phase model



POOL ELECTRIC HEATER VS HEAT PUMP

Operating Cost vs Investment Cost

Heat pump has a sharp advantage over electric heater, in which the operation cost is near to 5 times difference. Although heat pump involves near to 3 times higher investment cost, the operating cost is justified in the long run.



Footprint

Heat pump requires more free space for ventilation purpose, otherwise poor air flow will decrease the performance, and worse, damage the heat pump itself.

Power Supply

Electric heater will consume high power and hence higher amperage, causing significantly bigger power circuit size. Take equivalent model of electric heater and heat pump as a comparison below:

Model	Digiheat 24kW	Electroheat Plus 25kW
Current/Phase	35A	12A

*Digiheat 24kW will require 40A circuit size to operate.

Standard Copper Cable	
14-gauge wire	15 amps
12-gauge wire	20 amps
10-gauge wire	30 amps
8-gauge wire	40 amps

Flowrate

Electric heater will require high minimum flowrate to operate in order to protect heating element.

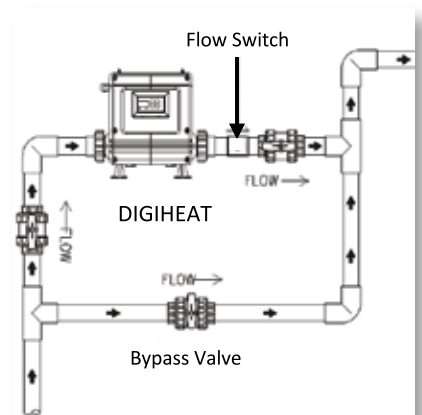
*Waterco 3-phase Digiheat models come with a flow check valve, you may refer to page 95 for more information.

Model	Digiheat 24kW	Electroheat Plus 25kW
Min. Flowrate	250 LPM	120 LPM

Hydraulic

Good hydraulic is essential for efficient heating. Presence of air bubbles or air pocket will not only hinder performance of heater, but worse damaging the parts due to dry burn.

1. Avoid putting heater at a peak point by having an elbow upwards at the water outlet.
2. Ensure pipe size in the plumbing system is similar to heater port size.
3. Air release valve is useful to prevent air pocket formation.



Ventilation

Heat pump needs good ventilation to ensure efficient heat exchange. Should there be the need to install heat pump indoor, air flow requirement of each heat pump model shall be observed.

Model	MKV	25kW	31kW	37kW	44kW
Air Flow (CFM)	180	4000	5800	5800	5800

Heating



TURBOTEMP

Part Number	Product Description	Nominal Size
2701251	125 Natural Gas	125MJ
2701252	125 LPG - Propane	125MJ
270201	200 Natural Gas	200MJ
270202	200 LPG - Propane	200MJ
270301	300 Natural Gas	300MJ
270302	300 LPG - Propane	300MJ
270401	400 Natural Gas	400MJ
270402	400 LPG - Propane	400MJ
6844340	150mm Flexible Flue Kit - 125,200,300	
6844350	200mm Flexible Flue Kit - 400	
684431106	Metal Flue Collar 150mm	
684431108	Metal Flue Collar 200mm	
684738	Pressure Relief Valve	

No matter what you're seeking in your swimming pool heater, the Turbotemp heater measures up. Compare this list of features to any other and you'll see why Turbotemp heaters are setting a new standard for total value.

- Very compact design.
- A fully pre-mixed burner system with a highly efficient air and gas mixture.
- Hot surface ignition eliminating the requirement for a pilot.
- Push button digital controls with easy to view rotating display.
- Engineered for super quiet operation.
- Certified for low NOx emissions.
- Safe operation through a series of features including:-
 - o Water pressure switch
 - o Over temperature switch
 - o Stack flue sensor
 - o Manual gas shut-off for servicing

Pool Sizing

°C Temperature Change/ 24 Hrs.	Heater Size			Heater Size		
	Model 200	Model 300	Model 400	Model 200	Model 300	Model 400
	Pool Capacity in Ls			Pool Surface Area in Sq. Mt. at 1.65m Depth		
2.77	368,635	552,954	737,269	220	329	439
5.44	184,315	276,475	368,635	110	165	220
8.31	122,878	184,319	245,756	73	110	146
11.08	92,160	138,239	184,315	55	82	110
13.85	73,728	110,595	147,453	44	66	88
16.62	61,437	92,156	122,878	37	55	73
19.39	52,663	78,994	105,325	31	47	63
22.16	46,080	69,122	92,160	27	41	55

Spa Sizing

Model	Spa Volume (Ls)								
	750	1,150	1,500	1,900	2,250	2,650	3,000	3,400	3,800
	Minutes for 16.2°C (30°F) Temperature Rise (Heater Input in 1000 BTU/HR)								
125	31.5	47.3	61.3	77.0	92.8	108.5	124.3	140.0	155.8
200	18.0	27.0	35.0	44.0	53.0	62.0	71.0	80.0	89.0
300	13.5	20.0	26.5	33.0	40.0	46.5	53.0	60.0	66.5
400	9.0	13.0	18.0	22.0	27.0	31.0	35.0	40.0	44.0

ESTABLISHED SINCE 1980

SolarMate™

A HERITAGE YOU CAN TRUST!



Malaysia's favourite name in Solar Hot Water Systems



Energy Saver



Money Saver



Earth Saver



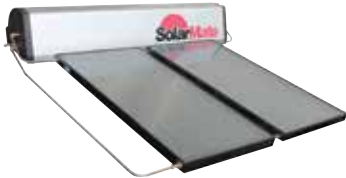
Space Saver

Residential | Commercial | Industrial

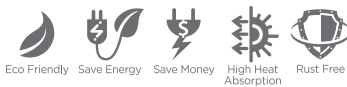
Heating

SOLARMATE

Part Number	Product Description	Nominal Size
Solar Water Heater Panel		
	Classic Solar Panel	
	Ruby Solar Panel	
	Sapphire Blue Panel	
	Apollo Solar Tube	
Solar Water Heater Tank		
	SM-40H Storage Tank	180 Liter
	SM-66H Storage Tank	300 Liter



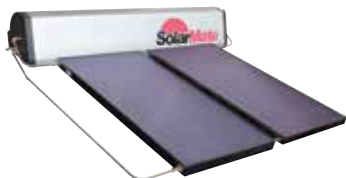
- Designed with high heat absorbance and low emittance.
- Laser welding for close contact and higher conductivity.
- Well rounded insulation with high density fibreglass and double silicone sealing.
- All time favorite for most users.



classic^o *Affordable, long lasting solar panels*

Specifications

Dimension	2000 x 1000 x 80 mm
Cover Material	4.0mm Tempered Glass
Heat Transfer Coefficient	4.398
Weight	35kg
Frame Material	Aluminium Alloy Anodised
Back Plate	0.4mm Galvanised Steel
Sealing Gasket	Triple Layer Silicone
Absorber System	
Material	Aluminium Plate
Surface Treatment	Black Chrome
Tube Material	Copper TP2
Header Tube	22mm x 0.6mm 2pcs
Riser Tube	10mm x 0.45mm 8pcs
Absorption Rate	0.94
Emittance	0.12
Insulation Density	24 kg/m ³



- Designed with higher heat absorbance and lower emittance.
- Ultrasonic welding for close contact and higher conductivity.
- Well rounded insulation with high density fibreglass and double silicone sealing.
- Hotter and faster than Classic.



ruby^o *High performance solar panels*

Specifications

Dimension	2000 x 1000 x 80 mm
Cover Material	3.2mm Low Iron Tempered Glass
Heat Transfer Coefficient	4.398
Weight	35kg
Frame Material	Aluminium Alloy Anodised
Back Plate	0.4mm Galvanised Steel
Sealing Gasket	Triple Layer Silicone
Absorber System	
Material	Copper Fin & Tube
Surface Treatment	Black Chrome
Tube Material	Copper TP2
Header Tube	22mm x 0.6mm 2pcs
Riser Tube	10mm x 0.45mm 8pcs
Absorption Rate	0.95
Emittance	0.11
Insulation Density	24 kg/m ³

Heating



- **Designed with higher heat absorbance and lower emitance, even on cloudy days.**
- **Ultrasonic welding for close contact and higher conductivity.**
- **Well rounded insulation with high density fibreglass and double silicone sealing.**
- **Suitable for areas that experience less sunlight.**



- **Designed for highest heat transfer efficiency.**
- **No heat loss though convection and conduction.**
- **Heat pipes are 100% copper for higher conductivity .**
- **Collection of solar energy from multiple angles allowing architectural freedom.**
- **Capable of withstanding hail impact up to 25mm size.**
- **Suitable for all climate from sub-zero to 90°C, and areas that experience less sunlight.**



sapphire° *All-weather solar panels*

Specifications

Dimension	2000 x 1000 x 80 mm
Cover Material	3.2mm Low Iron Tempered Glass
Heat Transfer Coefficient	4.398
Weight	35kg
Frame Material	Aluminium Alloy Anodised
Back Plate	0.4mm Galvanised Steel
Sealing Gasket	Triple Layer Silicone
Absorber System	
Material	Copper Fin & Tube
Surface Treatment	Blue Chrome
Tube Material	Copper TP2
Header Tube	22mm x 0.6mm 2pcs
Riser Tube	10mm x 0.45mm 8pcs
Absorption Rate	0.95
Emittance	0.11
Insulation Density	24 kg/m ³

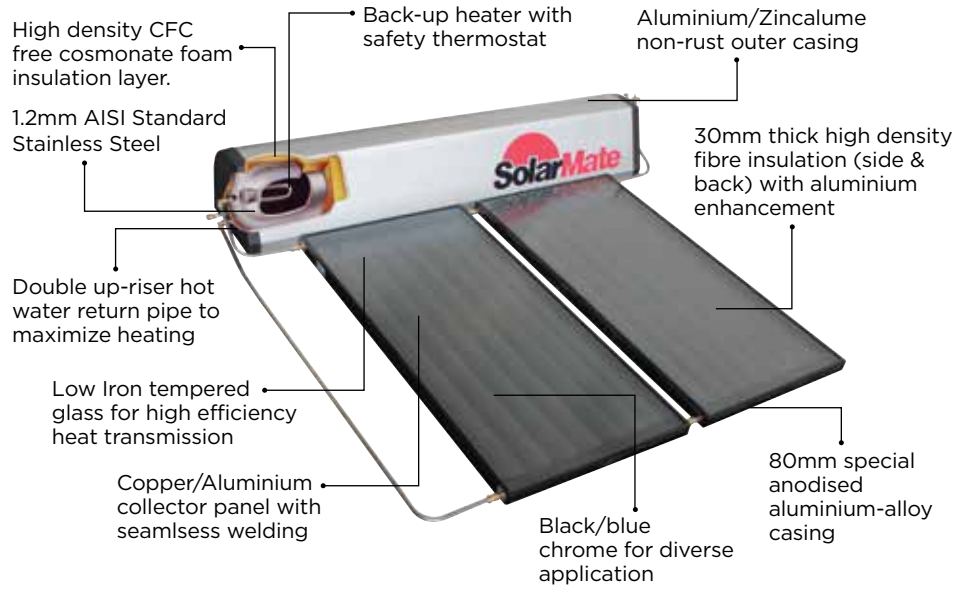
apollo° *Vacuum heat pipe-the ultimate in solar*

Specifications

Length	1800 mm
Outer Tube Diameter	58 mm
Inner Tube Diameter	47 mm
Material	Borosilicate Glass 3.3
Absorbance	≥ 0.93
Transmittance	≥ 0.89
Vacuum	5 x 10 ⁻³ Pa
Daily Solar Absorbance	7.9 MJ/m ²
Heat Pipe	
Material	Copper
Heat Conducting Fin	Aluminium
Thermo-stability	≥ 250
Heat Transfer Coefficient	≥ 220 W
Isothermal Performance	0.2 °C

Heating

SolarMate Solar Hot Water Systems



Storage Tank Specification

Specification	SM-180	SM-300
Storage Capacity	180 L	300 L
Tank Dimension	1680 x 520 x 457 mm	2680 x 520 x 457 mm
Approx. weight (dry)	38 kg	56 kg
Approx. weight (operating)	218 kg	356 kg
Outer Casing Material	0.7 mm Aluminium / 0.45 mm Zincalume	
Base Plate Material	0.5 mm Aluminium	
Tank Insulation	High Density Cosmonate Foam (CFC Free)	
End Cover Material	Polyethylene UV Protected	
Cylinder Material	1.2 mm AISI Stainless Steel	
Nominal Working Pressure	400 kPa	
Test Pressure	1050 kPa	
Laminar Flow Stratifier	Stainless Steel	



SANITIZATION

Salt Chlorinator

Electrochlor Mineral ECO

Chlorinators 2000/2500/3000----- 106

Electrochlor Mineral Pro

Chlorinators 4000/5000----- 107

Hydrochlor Mineral Chlorinators

MK3 2000/2500/3000----- 108

Mineral Crystals 20kg----- 109

Chemflo Plus----- 111

Chlorine Feeders

Waterking Automatic Tablet Feeder-- 111

Floating Tablet Dispenser MK2----- 111

Hydroxzone Ozonator----- 112

Hydroxypure 100/150----- 113

UV Steriliser

Solclear 90/150----- 115

CONTROLLERS

Aquamaster----- 117

Sanitization



Waterco's Electrochlor Mineral Chlorinator makes your pool smarter by automatically taking care of sanitisation, filtration and auxiliary equipment so you don't have to! This one device will monitor and display everything you need to know about your pool in real time.

- Energy-saving power pack and battery backup
- Self-cleaning electrolytic salt cell
- Low salt alarms and pump protection
- Variable speed pump control
- Dual general power outlets

ELECTROCHLOR MINERAL ECO CHLORINATORS

Part Number	Product Description	Nominal Size
6450135	Electrochlor Mineral ECO Power Pack	Fit 20 - 30 g/hr
6449720	Cell Plates & Housing - 2000	20 g/hr
6449725	Cell Plates & Housing - 2500	25 g/hr
6449730	Cell Plates & Housing - 3000	30 g/hr

Step 1: Choose a power pack.

Step 2: Choose cell plate & housing following output needed.

Technical Specifications

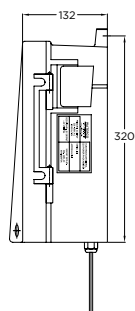
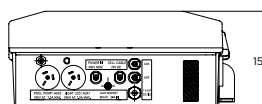
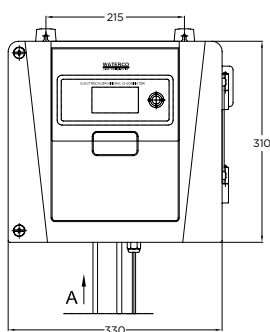
Model	Chlorine Production (g/hr)	Max Pool Capacity (L) Climate	
		Temperate	Tropical
Electrochlor Mineral 2000	20	60,000	48,000
Electrochlor Mineral 2500	25	80,000	60,000
Electrochlor Mineral 3000	30	100,000	72,000

*Pool capacity is based on domestic pool. For commercial pool, please approach our friendly sales representatives.

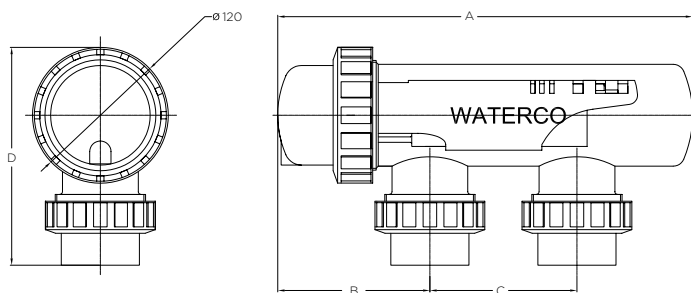
	2000	2500	3000
Primary Input (Volts)/ Frequency (Hz)	170-264V / 47-64 Hz	170-264V / 47-64 Hz	170-264V / 47-64 Hz
Input Power (W)	105	115	130
Output Current (A)	5.4 (DC)	5.8 (DC)	6.0 (DC)
Maximum Total Current (A)	10	10	10
Pump Outlet Maximum (A)	8	8	8
Cell Voltage (V)	21	21	21
Degree of Protection	IP23	IP23	IP23

These chlorinators are approved and conform to AS3136 Swimming Pool Equipment, as a prescribed article under Australian Registration. These Chlorinators conform to the Australian Electromagnetic Compatibility Standard marked by the C-tick.

Power Pack Dimensions



Chlorinator Cell Dimensions



Model	A (mm)	B (mm)	C (mm)	D (mm)
20 g/h,	367	134.5	130.0	192.5
25 g/h,				
30 g/h				

Sanitization



- Chlorine output of 40 g/hr or 50 g/hr
- Backlit LCD screen with temperature display
- Energy-saving, intelligent power pack
- Self-cleaning chlorinator cell
- Low salt alarm and flow protection
- Variable speed pump and LED light control
- Dual timer controlled power outlets
- Optional valve actuator control

ELECTROCHLOR PRO MINERAL CHLORINATOR

Part Number	Product Description	Nominal Size
6450136	Electrochlor Mineral PRO Power Pack	Fit 40 - 50 g/hr
6449740	Cell Plates & Housing - 4000	40 g/hr
6449750	Cell Plates & Housing - 5000	50 g/hr

Step 1: Choose a power pack.
Step 2: Choose cell plate & housing following output needed.

Technical Specifications

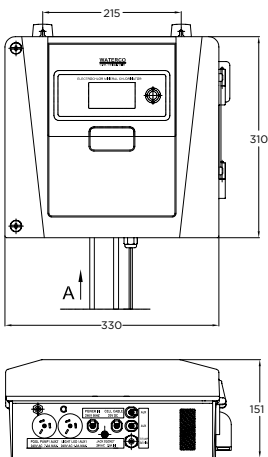
Model	Chlorine Production (g/hr)	Max Pool Capacity (L) Climate	
		Temperate	Tropical
Electrochlor Mineral 4000	40	120,000	84,000
Electrochlor Mineral 5000	50	140,000	96,000

*Pool capacity is based on domestic pool. For commercial pool, please approach our friendly sales representatives.

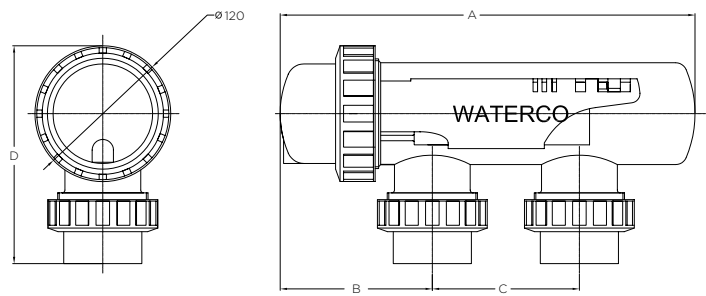
Parameter/Model	4000	5000
Primary Input (Volts)/Frequency (Hz)	170-264V / 47-64 Hz	170-264V / 47-64 Hz
Input Power (W)	206	239
Output Current (A)	8.5	9.1
Maximum Total Current (A)	10	10
Pump Outlet Maximum (A)	8	8
Cell Voltage (V)	21	21
Degree of Protection	IP23	IP23

These chlorinators are approved and conform to AS3136 Swimming Pool Equipment, as a prescribed article under Australian Registration. These Chlorinators conform to the Australian Electromagnetic Compatibility Standard marked by the C-tick.

Power Pack Dimensions



Chlorinator Cell Dimensions



Model	A (mm)	B (mm)	C (mm)	D (mm)
4000	437	153.5	180	192.5
5000				

Sanitization



Hydrochlor chlorinator works with a standard salt pool and also with Waterco's Mineral Crystals to transform your pool in a therapeutic oasis.

Latest Switch Mode power technology has been incorporated to increase energy efficiency by over 50%, significantly reducing power consumption. Hydrochlor draws less current and this translates to high power conversion and less energy wastage, without compromising chlorine output.

Hydrochlor's Power Pack intelligently recognises the size of the connected chlorinator cell and automatically adjusts its power output automatically. Hydrochlor's new self-cleaning chlorinator cell features a serial parallel design that enhances chlorine production, whilst requiring less energy.

HYDROCHLOR MINERAL CHLORINATORS

Part Number	Product Description	Nominal Size
25140120	Hydrochlor MK3 2000 Chlorinator - whole set	20 g/hr
25140125	Hydrochlor MK3 2500 Chlorinator - whole set	25 g/hr
25140130	Hydrochlor MK3 3000 Chlorinator - whole set	30 g/hr

Consists of: -

6450130	Hydrochlor MK3 Power Pack OR	
6450134	Hydrochlor MK3 ST Power Pack (timer without backup battery)	
6449720	Cell Plates & Housing - 2000	20 g/hr
6449725	Cell Plates & Housing - 2500	25 g/hr
6449730	Cell Plates & Housing - 3000	30 g/hr

Technical Specifications

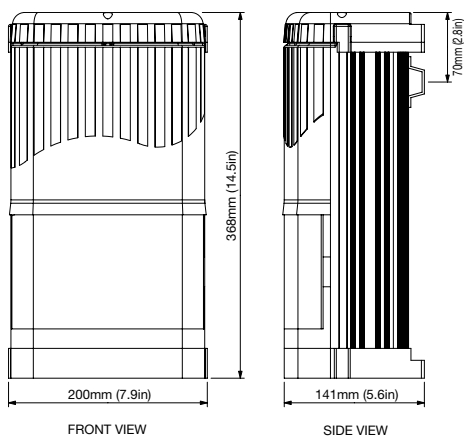
Model	Chlorine Production (g/hr)	Max Pool Capacity (L) Climate	
		Temperate	Tropical
Electrochlor Mineral 2000	20	60,000	48,000
Electrochlor Mineral 2500	25	80,000	60,000
Electrochlor Mineral 3000	30	100,000	72,000

*Pool capacity is based on domestic pool. For commercial pool, please approach our friendly sales representatives.

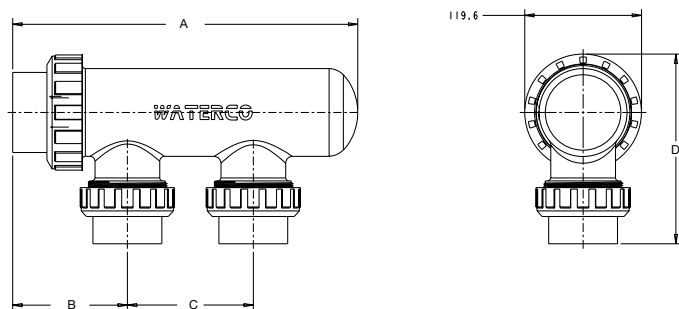
	2000	2500	3000
Primary Input (Volts)/ Frequency (Hz)	170-264V / 47-64 Hz	170-264V / 47-64 Hz	170-264V / 47-64 Hz
Input Power (W)	105	115	130
Output Current (A)	5.4 (DC)	5.8 (DC)	6.0 (DC)
Maximum Total Current (A)	10	10	10
Pump Outlet Maximum (A)	8	8	8
Cell Voltage (V)	21	21	21
Degree of Protection	IP23	IP23	IP23

These chlorinators are approved and conform to AS3136 Swimming Pool Equipment, as a prescribed article under Australian Registration. These Chlorinators conform to the Australian Electromagnetic Compatibility Standard marked by the C-tick.

Power Pack Dimensions

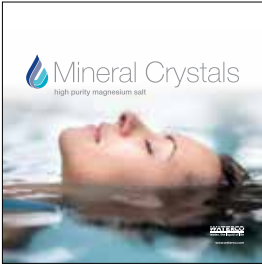


Chlorinator Cell Dimensions



Model	A	B	C	D
Series 2000/2500/3000	367	134.5	130	192.5

Sanitization



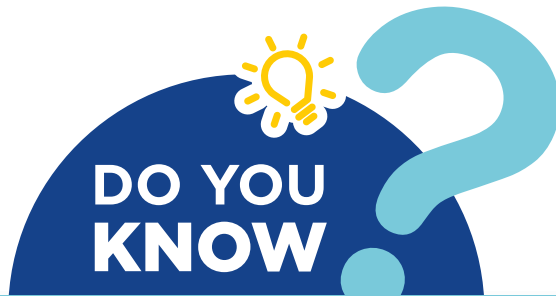
MINERAL CRYSTALS

Part Number	Product Description	Pack Size
352421	Aquahealth Mineral Crystals	pallet - 36 20kg

Adding Mineral Crystals to the Pool

Allow the pool to reach a salt level of 4,000 ppm, then add the recommended amount of Mineral Crystals as per table below.

Starting with 4,000 ppm of Pool Salt							
Pool Size (L)	10,000	20,000	30,000	40,000	50,000	80,000	100,000
Add Mineral Crystals (kg)	25	50	75	100	125	200	250
Targets							
Pool Salt Level (ppm)	4,000	4,000	4,000	4,000	4,000	4,000	4,000
Mineral (ppm)	1,200	1,200	1,200	1,200	1,200	1,200	1,200



The real “Chlorine smell” actually comes from Chloramines? Chloramines is formed from reaction between Free Chlorine and Ammonia. Chloramines is the real culprit behind bad smell, dry skin, red eyes, and is known to aggravate Eczema. So, by maintaining sufficient Free Chlorine in a pool system ALL the time is essential. With a well designed system, salt chlorinator can even be used for toddlers swim centre.



Waterco Malaysia Commercial Swimming Pool

Happy Fish Swim School (Selangor, Malaysia)



The kids have so much joy swimming in Happy Fish Swim School. Thanks to Waterco's products for providing quality water to swim.

Perfect pool temperature for swim teachers and students

Happy Fish Swim School (Selangor, Malaysia)

Since 2007, Happy Fish Swim School has provided quality, learn-to-swim programs for 3,000 active students in five indoor heated pools across Singapore. Being an AUSTSWIM Gold Level internationally recognised swim school, Happy Fish is required to maintain exceptionally high standards of aquatic education programs, water safety teachers, and water quality.

Happy Fish indoor swimming facility. So, when management needed an energy efficient pool heating system capable of maintaining a comfortable 33-degree Celsius temperature for its students and teachers, all day everyday, it turned to the pool care specialists at Waterco Far East (WFE).



Waterco Electroheat Plus heater is an energy efficient pool heating system capable of maintaining a comfortable temperature for its students and teachers.

In order to maintain perfect pool water temperature and clarity throughout the year - and do so with energy efficiency in mind - Waterco recommended the following products for Sunway Pyramid's popular indoor pool:

- 1 x Electroheat Plus 44 kW heat pump - uses a fraction of the energy to generate the same amount of heat



Manufactured from 100% virgin glass, Waterco glass pearls are a new generation of filter media, capable of providing water of superior clarity and requiring less water for backwashing.

- 3 x Hydrostorm Plus 300 pumps - reduces energy consumption leading to lower operating costs
- 3 x S900 Micron ECO media filters - hydraulically balanced laterals maximise water flow and filtration
- 2 x Hydrochlor MK3 Mineral Chlorinators - enhanced chlorine production whilst requiring less energy
- Glass pearl media - superior water clarity and requiring less water for backwashing.

Reduced running costs, excellent efficiency gains, minimal maintenance, and a long life span - it is no wonder Waterco's commercial pool heating and sanitisation solutions are popular with swim school all over the world.

Sanitization



CHEMFLO PLUS WATER MANAGEMENT SYSTEM

Part Number	Product Description
258100	ChemfloPlus Water Management System

ChemfloPlus continuously analyses your pool water chemistry and accurately sanitises and controls the pool's pH, keeping your pool water safe and healthy.

The ChemfloPlus automatic control system measures and precisely controls set levels of sanitiser (chlorine) and pH balance (acid) through feedback from inline sensors. This ensures the safest possible swimming conditions. Costs are reduced by minimising chemical use and preventing excessive addition of chemicals that may damage the pool and its equipment.

Technical Specifications

Parameter	Specification
Volts	230-250V, 50 Hz
Power	less than 30W (not including pool pump)
IP rating	24
Max pool Size	200kL (domestic pool)
Peristaltic pumps max flow rate	40mL/minute at approximately 50% duty cycle

Dimensions



CHLORINE FEEDERS

Part Number	Product Description
25500	Waterking In-line Tablet Feeder - Bromine/Trichlor
256000	Floating Tablet Dispenser MK2



Waterking Automatic Tablet Feeder

The Waterking Automatic Tablet Feeder is fully adjustable to control the amount of sanitiser that is added to the pool or spa.

By simply filling the container with Giant or Mini Chlorination Tablets or Bromine Sticks, the Waterking will ensure that your chlorine or bromine level is constantly maintained, giving you safe, clear, sparkling water all year round.



Floating Tablet Dispenser MK2

Designed for use with slow dissolving chlorine or bromine tablets.

- High capacity float chamber
- Easy to use threaded cap

Sanitization



HYDROXZONE OZONATOR

Part Number	Product Description
25400700	Hydroxzone Ozonator - c/w Ozone Injector & Bypass Kit
25400701	Hydroxzone Ozonator ONLY
132308	Venturi Plumbing Kit 50mm (Injector)
132309	Straight Plumbing Kit 50mm (Injector)

Considered one of the most powerful sanitisation systems on the market, Hydroxzone Ozone Generator is designed as a standalone product for new and existing swimming pools. Using hybrid patented technology, Hydroxzone produces ozone and hydroxyl radicals, which together increases oxidation and sanitisation efficiency.

- Constant ozone output, not adversely affected by temperature or humidity.
- Produces hydroxyl radicals, considered one the most powerful oxidisers found in nature.
- Optional Dynamic Venturi Injector to minimise pressure drop and increase efficiency of the ozone transfer.
- No moving parts, requiring zero maintenance.
- Enhances the sanitisation by reducing the demand of the sanitiser.

Maximum Recommended Pool Sizes

Equipment	Pool size (kl)
Hydroxzone (*)	80
Hydroxzone + Hydrochlor/ Electrochlor 30A (Temperate Climate)	120

(*) An approved sanitiser must be used in swimming pool/spa

Technical Specifications

Power Input (volts)	120-277
Frequency (Hz)	50/60
Degree of Protection	IPX4
Max. Current (A)	0.2
Temperature Operating Range (°C)	-32 to 60
Dimension (mm)	425x160x90

Sanitization

By simplifying technology associated with the advanced treatment of drinking water, Waterco has successfully applied it to the treatment of swimming pool water.

The end result is a chlorine free swimming pool, fully enriched with oxygen. This is fantastic news for those looking for a healthy alternative to chlorine. With no odours or taste, it's soft and gentle to the skin and no shower is needed after swimming.

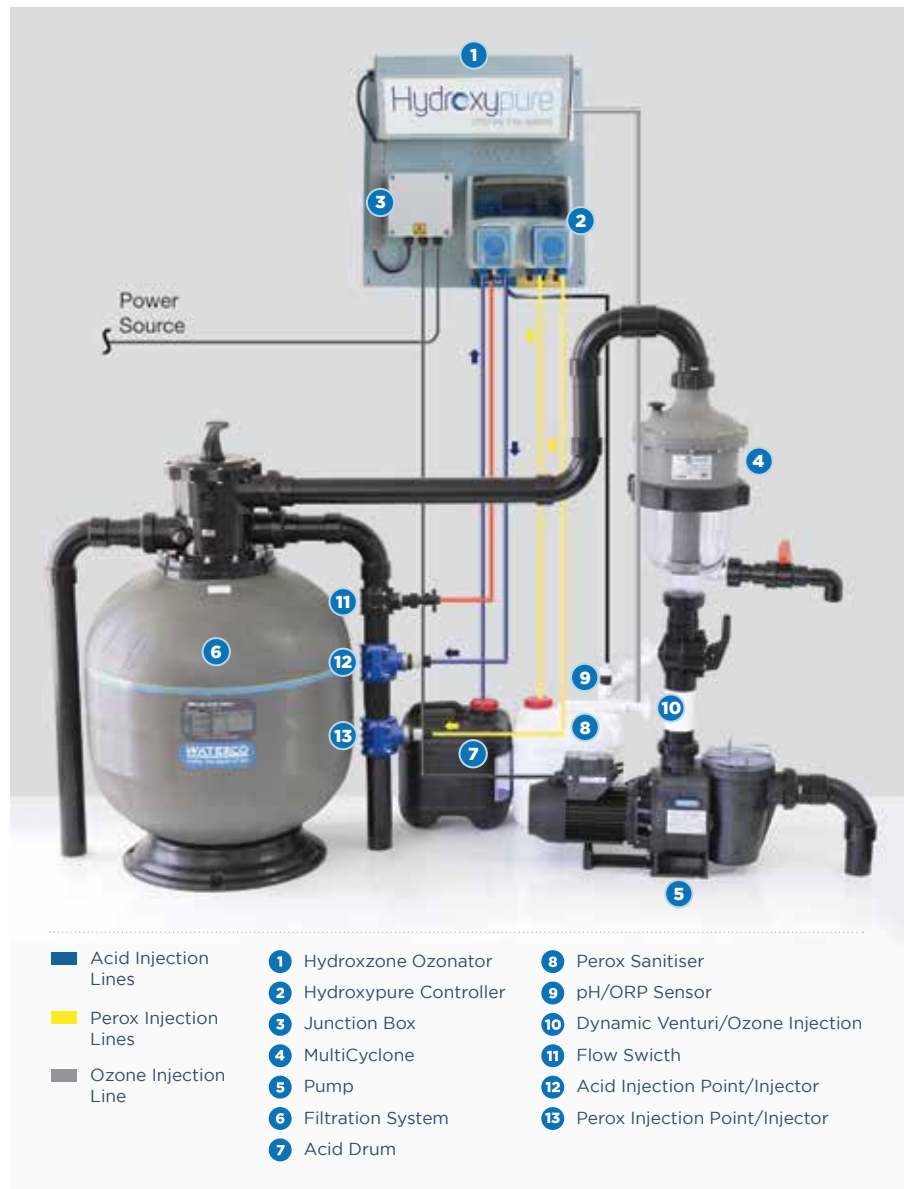
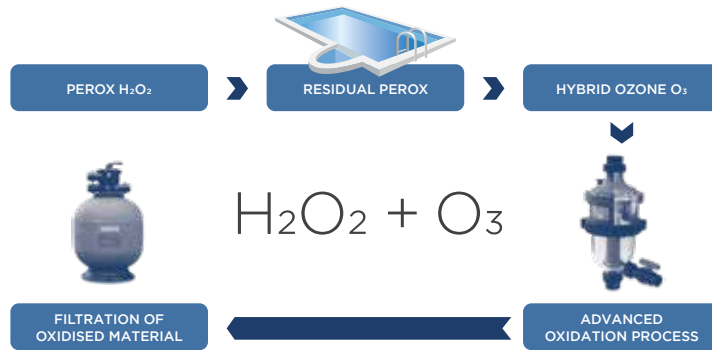
Endorsed by the National Asthma Council of Australia and approved by its Sensitive Choice® program, Hydroxypure is the most advanced breakthrough in swimming pool and spa sanitisation.



Sensitive Choice® blue butterfly recognises products and services that support asthma and allergy care.

HYDROXPURE

Part Number	Product Description	Domestic Pool
2540052-kit	Hydroxypure 100	100,000 liters
254004108-kit	Hydroxypure 150	150,000 liters



- Acid Injection Lines
- Perox Injection Lines
- Ozone Injection Line
- 1** Hydroxzone Ozonator
- 2** Hydroxypure Controller
- 3** Junction Box
- 4** MultiCyclone
- 5** Pump
- 6** Filtration System
- 7** Acid Drum
- 8** Perox Sanitiser
- 9** pH/ORP Sensor
- 10** Dynamic Venturi/Ozone Injection
- 11** Flow Swith
- 12** Acid Injection Point/Injector
- 13** Perox Injection Point/Injector



Waterco New Zealand Commercial Swimming Pool

Kumeu Film Studios (Auckland, New Zealand)



- Depth: 0.7m to pit of 3m (2.5ft and 10ft) with the base of the pit 17m² (55ft²) with a 9.6m² (31.5ft²) reinforced concrete foundation pad

Before filming MEG, American movie giant Warner Bros. Studios needed assurance that the underwater dive tank was able to create a blank canvas - a default position - for filmmakers, which meant the water needed to be as clear as possible. The best place to start, he explains, is with crystal clear water, which does not irritate the actors' eyes or skin.

Star of the Screen

Kumeu Film Studios (Auckland, New Zealand)

Kumeu Film Studios, a converted screen production complex just 25 minutes from central Auckland. Initially built around the China-Hollywood co-produced action-adventure film MEG starring Jason Statham and Li Bingbing, the 27-hectare site (66.7 acres) now includes extensive stage, workshop and manufacture spaces, production offices, 12 hectares of forest, and two water tanks.



1,267 million litre indoor underwater dive tank. Hydroxypure creates crystal-clear, chlorine-free water.

Underwater Dive Tank (indoor)

- Volume: 1.267 million litres (334,686 US gallons/278,684 imperial gallons)
- Diameter: 18m (59.5ft)
- Maximum depth: 4.9m (16ft)
- Stair access and 6.8m² (73ft²) platform just below water level for diver access
- State-of-the-art Hydroxypure/Ozone water treatment system that creates crystal-clear water with maximum temperature 33°C (91°F)

Ocean Surface Tank (outdoor)

- Volume: 2.5 million litres (660,430 US gallons/549,923 imperial gallons)
- Length: 36m- 54m (118 to 177ft)
- Width: 40m (131ft)



Outdoor dive tank with its multitude of rigging points.

Producing the same quality of water demanded by high-end hotels all over the world, Waterco's Hydroxypure has brought myriad benefits to the cast and crew. "The actors have commented that the water feels soft on their skin and gentle on their eyes, unlike chlorinated water which causes red eyes," says Screen Production Attraction Executive, Jasmine Millet. "That is hugely beneficial for actors who need to be consistently under water for hours at a time without masks. And, unlike chlorinated pools, Hydroxypure doesn't bleach costumes or deteriorate divers' wetsuits.

A chemist tests the water every week and it has remained clean and healthy with the Hydroxypure treatment system. So far there haven't been any instances at all where the water has triggered any concerns from a health and safety perspective.

Hydroxypure, it seems, is bringing new meaning to Tourism New Zealand's marketing campaign: "100% Pure New Zealand".

Sanitization



UV STERILIZERS

Part Number	Product Description	Flowrate
37784090	Solclear 90 UV Steriliser 40W (40mm port)	90 LPM
37784150	Solclear 150 UV Steriliser 40W (40mm port)	150 LPM

7 bar rating

The Solclear UV steriliser uses environmentally friendly ultraviolet technology for the disinfection of water. It provides disinfection without the addition of any chemicals.

Applicable to:

- Fountains
- Water features
- Koi ponds

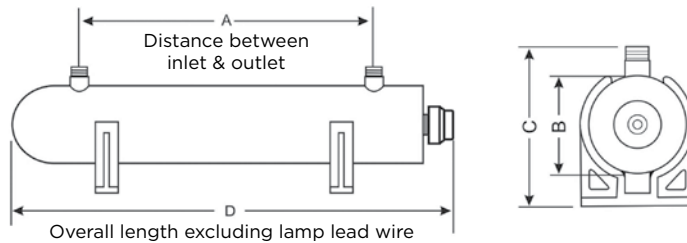
Technical Specifications

Model	Flow Rate		Quartz Thimble size	Inlet & Outlet size	UV Lamp	Lamp Wattage	Standard Ballasts	Controller Box Size
	gpm	lpm	mm					mm
Solclear 90	24	90	D24.5x910	1 ½" BSP	T540	40W	UV-6	190x280
Solclear 150	40	150	D24.5x910	1 ½" BSP	T540	40W	UV-6	190x280

Lamp life : 9000 hours

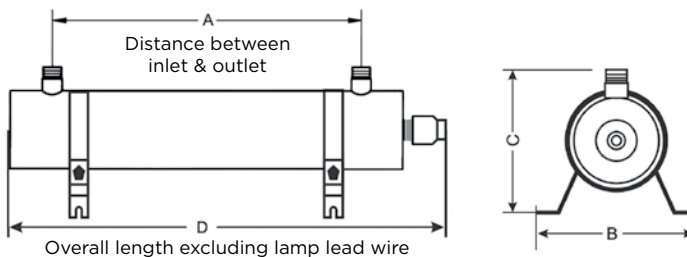
Input voltage : 100-240Vac/50-60Hz

Dimension (mm)



NOTE : Line cord and lamp lead wire omitted for clarity.

Model	A	B	C	D	Inlet & Outlet Size
Solclear 90	780 mm	63.5 mm	115 mm	925 mm	1 ½" BSP



NOTE : Line cord and lamp lead wire omitted for clarity.

Model	A	B	C	D	Inlet & Outlet Size
Solclear 150	786 mm	175 mm	165 mm	926 mm	1 ½" BSP

AQUAMASTER

Pool & Spa Automation

*Intelligent pool automation and
energy management*



WATERCO
water, the liquid of life
www.waterco.com



Controllers



Aquamaster allows the owner to easily control pool, spa and ancillary functions such as pump, filter, heater, cleaner, landscape lighting and water features – all from the convenience of their home.

- Fingertip control with the LCD touch panel designed to suit any decor
- Easy to navigate controls for automating and operating filtration equipment
- One touch switching between pool, spa and pool, and spa modes
- Ability to check pool and spa water, outside air temperature on screen
- Reduce power bills through automated management of energy saving equipment
- Reduce heating costs by using solar pool heating before activating conventional heating

AQUAMASTER

Part Number	Product Description
851800	Aquamaster Pool & Spa Automation Kit
8518002	Aquamaster Pool and Spa Automation Outdoor Kit with Additional Control Panel
8518003	Aquamaster Pool and Spa Automation Spa Kit with 2 Actuated Valves
8518004	Aquamaster Pool and Spa Automation Outdoor & Spa Kit with Additional Control Panel & 2 actuated valves

Technical Specifications

Applications	Pool and Spa, Pool only or spa only combinations
Number of 10A switched outlets	5
Number of 15A switched contacts	2
Number of actuated valves operated (heater control)	3
Number of ancillary dry contacts 24V	2
Number of group functions	7
Number of programmable timers	15
Control Waterco three speed pump settings	Yes
Program Waterco multicolour LED light colours	Yes
Manage solar pool heating	Yes

Applications	Pool and Spa, Pool only or spa only combinations
Manage conventional heating	Yes
Solar heating priority over conventional heaters	Yes
Solar and conventional heater extend	Yes
Reduce salt chlorination levels in spa mode	Yes
Control pool heating on integrated or independent hydraulic circuits	Yes
Optional dual LCD control interface	Yes
Freeze protection	Yes
Optional flow sensor	Yes

ACCESSORIES

Part Number	Product Description
851802	LCD touch control
8518022	Weatherproof Enclosure - LCD Touch Control
851806	Control Cable RJ12 3 metres - Cat 5
851803	Control Cable RJ12 20 metres - Cat 5
851804	Control Cable RJ12 30 metres - Cat 5
851805	Control Cable RJ12 50 metres - Cat 5
851807	Variable Speed Pump Control Cable x 3 metres
851810	4 Channel Wireless Remote Kit





UNDERWATER LIGHTS

Litestream-----120

Britestream

Britestream MKV Surface Mount
LED Light-----121

Britestream Niche 165 Led Light-----122

Britestream Slim90 Led
Pool Lights-----123

Britestream Slim165 Led Light----- 124

**LED Pools Light Transformer &
& Accessories**----- 125

Underwater Lights



LITESTREAM SURFACE MOUNT LED LIGHT

Part Number	Product Description	Power	Cable Length
263420	Litestream LED Warm White	12W	4m
263430	Litestream LED Warm White	12W	12m
263400	Litestream LED Warm White	12W	20m
263403	Litestream LED Warm White Replacement	12W	0.4m

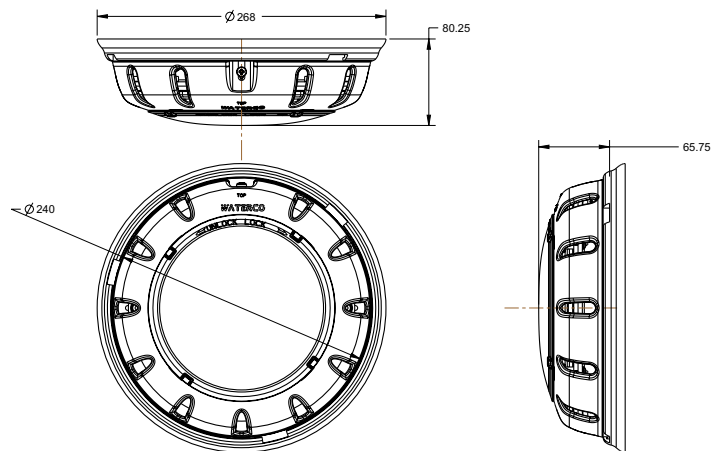
The Litestream LED under water light is modern in looks, and offers a warm white brightness and improved performance in pool coverage through its uniquely designed hexagonal diamond shaped lens pattern.

- Warm white German LEDs.
- Universal adaptor plate.
- Dual Voltage, enabling connection to 12 or 24 volt systems.
- Optional blue twist-lock lens.

Technical Specifications

Zonal Distribution	Power Usage	Input Voltage (New Installation)	Input Voltage (Replacement Light)
0 to 180 degrees	12 watt	12V AC	12V-24V-32V AC (Multi Voltage)

Dimensions



Underwater Lights



BRITESTREAM MKV SURFACE MOUNT LED LIGHT

Part Number	Product Description	Power	Cable Length
264343	Britestream LED Cool White MKV	26W	4m
264344	Britestream LED Cool White MKV	26W	20m
264340	Britestream LED Cool White MKV Replacement	26W	0.4m
2643430	Britestream LED Warm White MKV	26W	4m
264347	Britestream LED RGB MKV	15W	4m
264346	Britestream LED RGB MKV	15W	20m
264342	Britestream LED RGB MKV Replacement	15W	0.4m

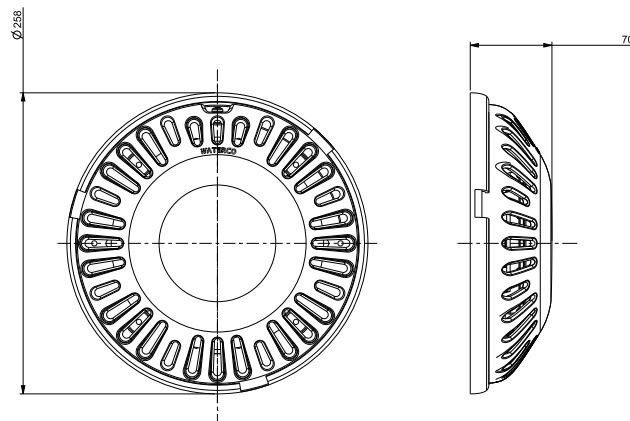
Unlike traditional LED lenses that restrict the light output to unflattering hot spots, Waterco's new BriteLUX Diffuser Lens radiates light throughout the entire circumference of the lens. In fact, the BriteLUX Diffuser Lens improves the light's luminosity of Britestream MKV by 50 percent in comparison to preceding models.

- Bright German LEDs
- Superior optical properties
- Enhanced colour saturation
- Light diffusing particles for even illumination
- Available in white (26W) and multi-coloured (15W) configurations.
- Britestream MKV Cool White 1395 lumen; Britestream MKV Warm White 1114 lumen.

Technical Specifications

Zonal Distribution	Power Usage	Input Voltage (New Installation)	Input Voltage (Replacement Light)
0 to 180 degrees	15 or 26 watts	12V AC	12V-24V-32V AC (Multi Voltage)

Dimensions



Underwater Lights



Optional Stainless Steel Rim

BRITESTREAM NICHE 165 LED LIGHT

Part Number	Product Description	Power	Cable Length
264431	Britestream Niche LED Cool White MKV	26W	4m
264432	Britestream Niche LED Cool White MKV	26W	12m
264433	Britestream Niche LED Cool White MKV	26W	20m
264430	Britestream Niche LED Cool White MKV Replacement	26W	-
2644310	Britestream Niche LED Warm White MKV	26W	4m
2644331	Britestream Niche LED Warm White MKV	26W	20m
264440	Britestream Niche LED RGB MKV	15W	12m
264441	Britestream Niche LED RGB MKV	15W	20m
264438	Britestream Niche LED RGB MKV Replacement	15W	-
264421	Wet Niche Assembly Black		
264423	Wet Niche Shallow Assembly Black 105mm		
650107	Niche Adaptor Assembly (Pentair Amberlite to Waterco)		
6501130	Stainless Steel Dress Rim		

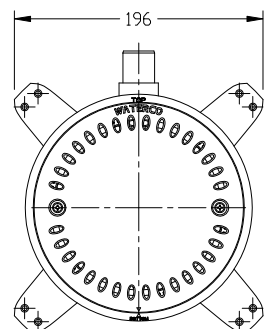
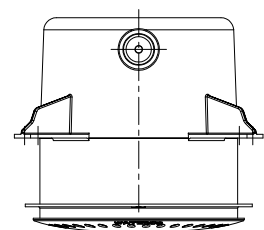
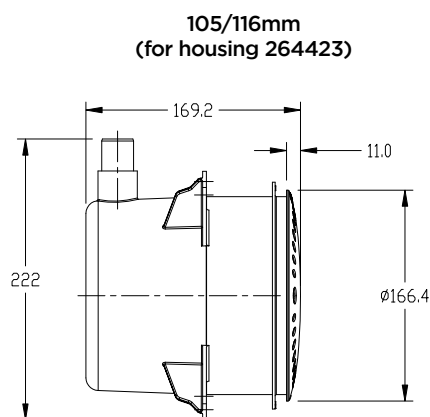
Britestream Niche LED light is a flushmounted light which protrudes only 11mm from the pool/spa wall. Britestream LED lights utilises energy efficient super bright LED's and operates on only 26 watts (white) or 15 watts (RGB) energy.

- Optional stainless steel rim.
- Britestream MKV Cool White 1395 lumen; Britestream MKV Warm White 1114 lumen.

Technical Specifications

Zonal Distribution	Power Usage	Input Voltage
0 to 180 degrees	15 or 26 watts	12V AC

Dimensions



Underwater Lights



BRITESTREAM SLIM90 LED POOL LIGHTS

Part Number	Product Description	Power	Cable Length
264710	Britestream Slim90 LED White Light	15W	20m
264702	Britestream Slim90 LED White Replacement Kit	15W	-
264714	Britestream Slim90 LED RGB Light	15W	20m
264706	Britestream Slim90 LED RGB Replacement Kit	15W	-

The Britestream Slim90 Niche LED light has been specifically designed for easy installation into fibreglass pools & spas.

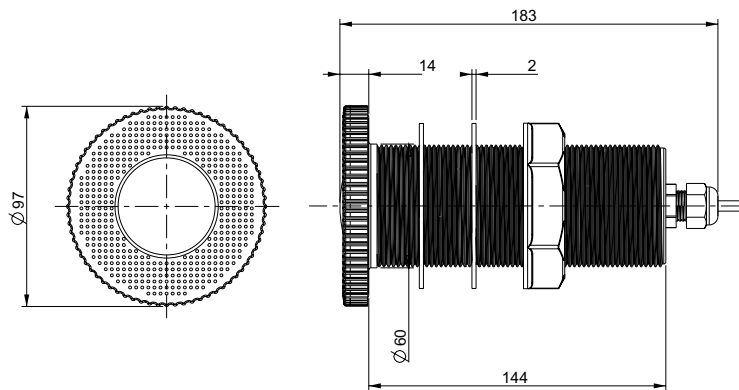
Britestream Slim90 Niche LED lights are great for those hard to light areas of a pool/spa or steps. Britestream Slim90 LED Light utilises energy efficient super bright LED's and operates on only 15 watts of energy.

- Flush mounted with a minimal 14mm projection into pool.
- Super bright LED's capable of delivering 128 lumens (White LED).
- 180° Zonal illumination.
- Operates on only 15% of the electrical power of a halogen light models.

Technical Specifications

Zonal Distribution	Power Usage	Input Voltage
0 to 180 degrees	15 watts	12V AC

Dimensions



Underwater Lights



BRITESTREAM SLIM165 LED POOL LIGHTS

Part Number	Product Description	Power	Cable Length
264628	Britestream Slim165 LED White MKV	26W	20m
264620	Britestream Slim165 LED White MKV Replacement	26W	-
264630	Britestream Slim165 LED RGB MKV	15W	20m
264622	Britestream Slim165 LED RGB MKV Replacement	15W	-
2646223	Niche Adaptor Assembly (Aquaquip EVO2 to Waterco Slim165)		

The Britestream LED Niche pool light has been specifically designed for easy installation into pools and are available in white, tri-coloured & multi-coloured.

Britestream LED light can produce a multitude of different colours without the need for coloured lenses. The light's multicoloured combinations are easily programmed via its light switch.

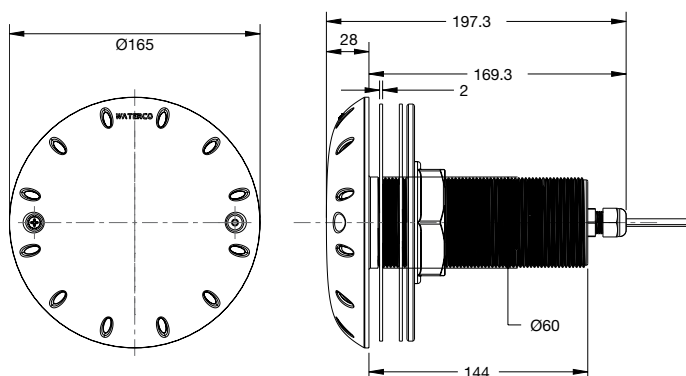
Britestream LED Light utilises energy efficient super bright LED's and operates on only 15 to 26 watts of energy.

- Flush mounted with a minimal 28mm projection into pool.
- Britestream MKV Cool White 1395 lumen; Britestream MKV Warm White 1114 lumen.
- 180° illumination.
- Operates on only 15% of the electrical power of a halogen light models.

Technical Specifications

Zonal Distribution	Power Usage	Input Voltage
0 to 180 degrees	15 or 26 watts	12V AC

Dimensions



Underwater Lights



LED POOLS LIGHT TRANSFORMER & ACCESSORIES

Part Number	Product Description	Total Output
265011	Transformer 240V to 12V 30VA (1 light)	30VA
265012	Transformer 240V to 12V 30VA + 30VA (2 lights)	60VA
265013	Transformer 240V to 12V 30VA + 30VA + 30VA (3 lights)	90VA
26505	Transformer 240V to 12V 120VA Hard Wired	120VA
265060	Transformer 240V to 12V 18VA (to be discontinued)	18VA
265063	Transformer 240V to 12V 18VA + 18VA + 18VA (3 lights)	54VA
650150	Light Retrofit Connector (IP68) - suitable for 6mm & less power cable	
650160	Light Retrofit Connector (IP68) - suitable for 6mm & over power cable	



The new Twin Connect has some great technical advantages over the Multi Connect transformer, its output has increased from 18VA to 30VA, this increase in output has been specified to match some of the new MK5 LED Pool Lights plus allowing for multiple connection in series (Daisy Chain) of up to 5 x Twin Connect LED Pool Light Transformer, enabling 10 x Waterco LED pool lights to operate and has great protection with IP44 rating.

Technical Specifications

Product Description	Protecting Rating	Input	Output	Outlets	Amps	Fuse
Single Connect	IP44	230-240 VAC 50Hz	12VAC 30VA	x 1	10	1 x 4A
Twin Connect	IP44	230-240 VAC 50Hz	12VAC 60VA	x 2	10	2 x 4A

Overall product dimensions

Length	Height	Width	Weight
146mm	150mm	92mm	30VA = 2.5kg / 60VA = 2.75kg



RECIRCULATION

Swimjet Old Faithful-----128

Skimmer

Skimmer Box Complete Paramount
SP5000----- **129**

Skimmer Box S75 Complete-----**130**

Supa Skimmer Box Complete-----**131**

**Accessories for S75 &
Supa Skimmer----- 132**

Adjustable Floor Inlet-----132

Auto Water leveller-----133

Main Drains----- 133

Flush Deck Grating----- 134

Suctions concrete----- 134

Eyeball Fittings-----135

Recirculation



SWIMJETS OLD FAITHFUL

Part Number	Product Description
455423	SwimJet Straight Body Concrete

Waterco Swimjets are high performing jets, designed to create an endless resistant current to swim against. Waterco Swimjets are a flush mounted jet propulsion system capable of creating a current up to 660L per minute.

- 2" (50mm) socket for high water volume
- 1/2" (12mm) socket for high air input
- Available for fibreglass and concrete installations
- Available for either fibreglass with white or grey colours or concrete installations in white.

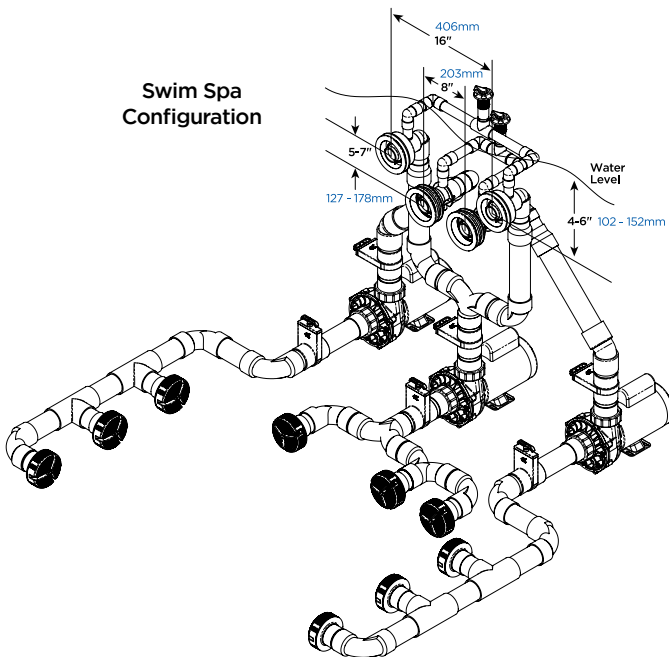
Technical Specifications

Standard Installation Technical Specifications	Maximum Flow Rates	Quantity
Waterco Swim Jet White/Grey Water Inlet 50mm/2" Air Throttle 13mm/1/2" Water Outlet/Jet Orifice 38mm/1 1/2"	660lpm	x 1
Waterco 50mm Suction Fitting	384lpm	x 2
TurboFlo 300 - 50mm ports (1 Phase)	700lpm	x 1

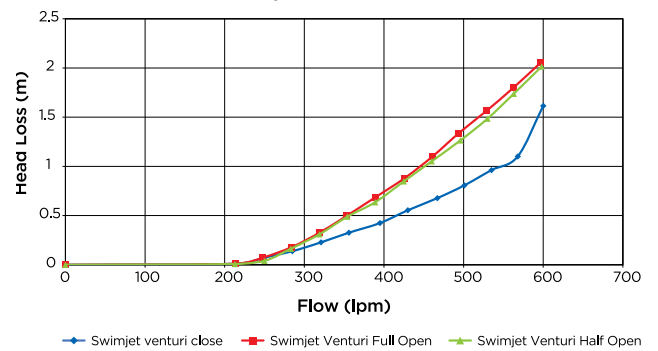
Note: Application per Waterco Swim Jet

Material	Swimjet Nozzle	Air Throttle Socket	Maximum Output
White or Grey PVC/ABS	50mm / 2"	1 1/2"	660lpm

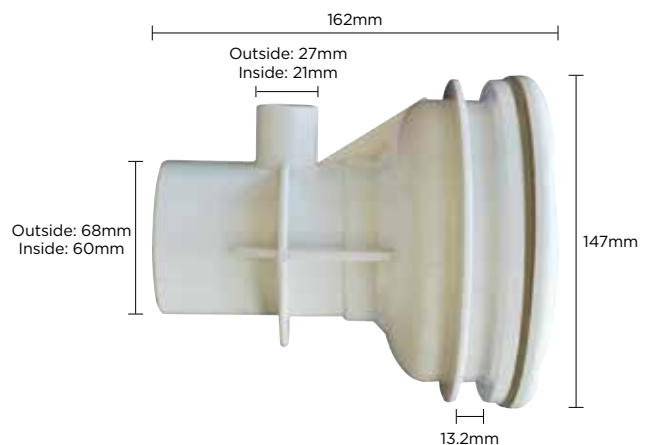
Standard Installations Options



Swimjet Head Loss Curve



Dimensions



Recirculation



SKIMMER BOX COMPLETE PARAMOUNT SP5000 (With Lid & Ring)

Part Number	Product Description	Variant	Pool Type
ASM002	Paramount SP5000 Box White Standard Throat Includes Lid & Round Ring	Sandstone Round	Concrete
Consists of: -			
624012	Paramount SP5000 Box White Standard Throat		Concrete
6241085	Beige Round Includes AXSM075 Lid + AXSM073 Ring	Sandstone Round	

The SP5000 skimmer is a general purpose skimmer which can be used in concrete, fibreglass and above ground pool installations.

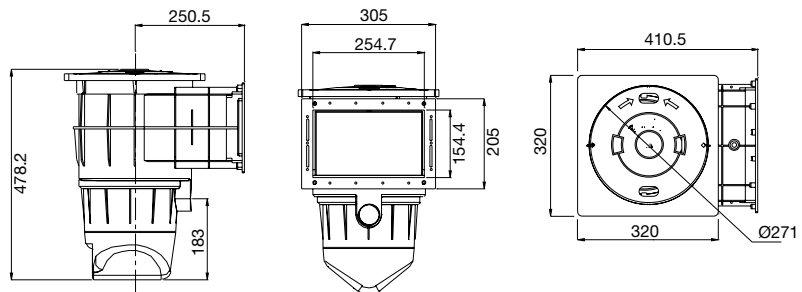
The SP5000 is sized to minimise excavation and reduce concrete and steel requirements, whilst maintaining an optimum skimming action. A horizontal 50mm suction take-off reduces the suction lift demands on the pump, saving energy.

Specifications

Model	Max. Surface Area	Max Flow Rate	Suction Pipe	Opening	Basket Capacity	Total Height	Total Depth	Unit Weight
		lpm	mm	mm	L	mm	mm	kg
SP5000	75m ²	375	50	255x155	2.6	478.2	385	5

Note: Applicable for both products.

Dimension



Note: All Waterco Skimmer boxes comply with Australian Standards for Pool & Spa Skimmer boxes, AS1926.3-2010.

Recirculation



SKIMMER BOX S75 COMPLETE (With Lid & Ring)

Part Number	Product Description	Variant	Pool Type
29251	Skimmer Box S75C MK2 White Standard Throat Includes Lid & Round Ring	Sandstone Round	Concrete
Consists of: -			
624051	Skimmer Box S75C MK2		
6241800	Lid & Dress Ring S75 Sandstone		
29253	Skimmer Box S75C MK2 White Standard Throat Includes Lid & Square Ring	Sandstone Square	Concrete
Consists of: -			
624051	Skimmer Box S75C MK2		
6241801	Lid & Dress Ring S75 Sandstone		

The S75 skimmer is a general purpose skimmer which can be used in concrete, fibreglass and above ground pool installations.

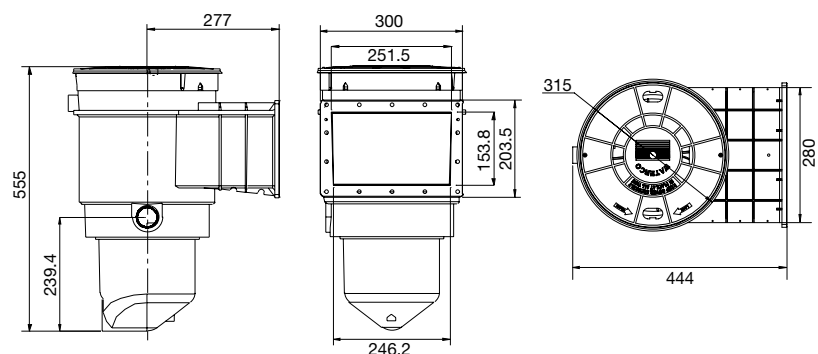
It has a built in overflow drain port to assist the prevention of flooding, during heavy rain. A horizontal 50mm suction take-off reduces the suction lift demands on the pump, saving energy.

- Lock down leaf basket and vacuum plate - holds the leaf basket and vacuum plate firm
- Child safety lid lock down system - prevents child accidents
- Square and round deck lid configuration

Specifications

Model	Max. Surface Area	Max Flow Rate	Suction Pipe	Opening	Basket Capacity	Total Height	Total Depth	Unit Weight
		lpm	mm	mm	L	mm	mm	kg
S75	75m ²	375	50	247x152	2.4	520	440	6

Dimension



Note: All Waterco Skimmer boxes comply with Australian Standards for Pool & Spa Skimmer boxes, AS1926.3-2010.

Recirculation



The SupaSkimmer is a large capacity skimmer box which is ideal for use in large domestic, semi commercial and commercial swimming pools.

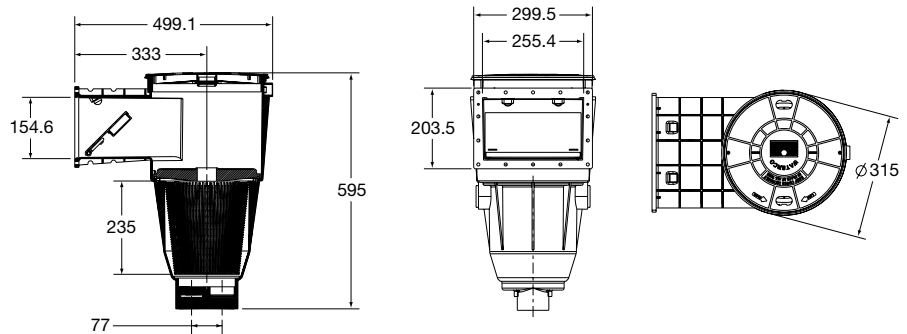
SUPA SKIMMER BOX COMPLETE (With Lid & Ring)

Part Number	Product Description	Variant	Pool Type
29201	Supa Skimmer Box White Standard Throat Includes Lid & Round Ring	Sandstone Round	Concrete
Consists of: -			
624060	Supaskimmer Box White Standard Throat		
6241800	Lid & Dress Ring S75 Sandstone		
29206	Supa Skimmer Box White Standard Throat Includes Lid & Square Ring	Sandstone Square	Concrete
Consists of: -			
624060	Supaskimmer Box White Standard Throat		
6241801	Lid & Dress Ring S75 Sandstone		
29210	Supa Skimmer Wide Mouth White Includes Lid & Square Ring	Sandstone Round	Concrete
Consists of: -			
624060	Supaskimmer Box White Standard Throat		
6241801	Lid & Dress Ring S75 Sandstone		

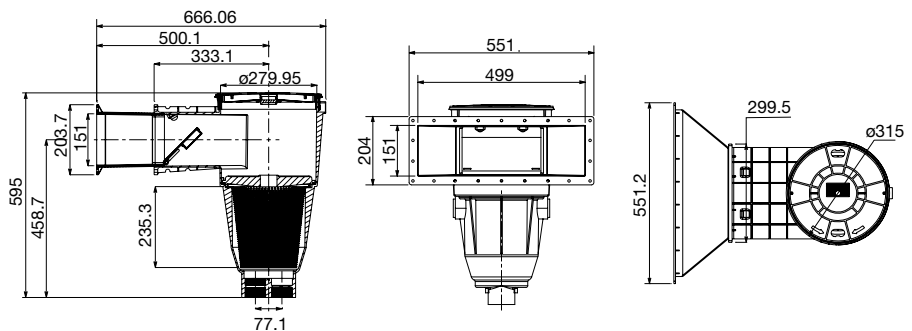
Specifications

Model	Max. Surface Area	Max Flow Rate	Suction Pipe	Opening	Basket Capacity	Total Height	Total Depth	Unit Weight
		lpm	mm	mm				
Supaskimmer	75m ²	375	2x50	247x152	5.9	580	500	7
Supaskimmer Widemouth	75m ²	375	2x50	551x152	5.9	580	500	10

SupaSkimmer



SupaSkimmer Widemouth



Note: All Waterco Skimmer boxes comply with Australian Standards for Pool & Spa Skimmer boxes, AS1926.3-2010.

Recirculation

ACCESSORIES FOR S75 & SUPA SKIMMER

Part Number	Product Description	Variant	Pool Type
624051	Skimmer Box S75C MK2 Standard Throat White		Concrete
624060	Supa Skimmer Box Standard Throat White		Concrete
624062	Supa Skimmer Wide Mouth White		Concrete
6241800	Beige Round Includes 624171S Lid + 624191S Ring	Sandstone Round	
6241801	Beige Square Includes 624171S Lid + 624181S Ring	Sandstone Square	
32717	S75 & Supa Skimmer Vacplate & Skimtrol (Fits 3 & 4 Lugs)		



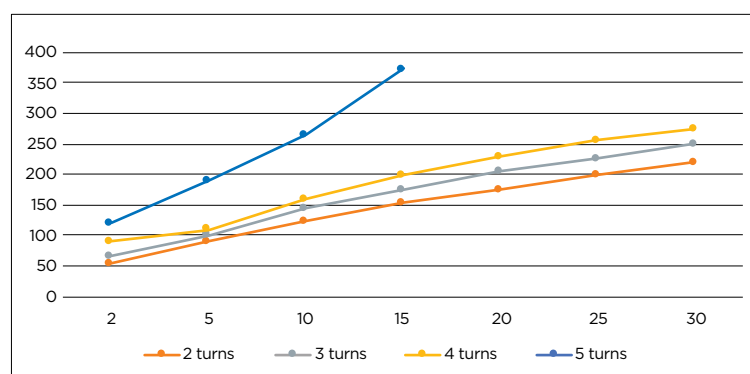
ADJUSTABLE FLOOR INLET

Part Number	Product Description	Colour	Port Size
291701	Floor Inlet - Adjustable	White	40mm/50mm
2917010	Floor Inlet - Adjustable	Black	40mm/50mm

The adjustable inlet floor return is suitable for all swimming pools. It is especially useful where uniformed water distribution is desired or in shallow ends where normal eyeball returns cannot be fitted due to sloping entry. The discharge flow angle is a cone approximately 75 degrees.

Features:

- Full diametric flow - soft flow
- Flush fitting - no sharp edges
- Adjustable - balanced water return
- Interchangeable cover plate
- Self set - fits neatly into 50mm UPVC
- Can fit to external of 40mm or the inside of 50mm UPVC class 9 pipes



Pressure Drop, kPa	2 turns	3 turns	4 turns	5 turns
2	55	65	90	120
5	90	100	110	190
10	125	145	160	265
15	155	175	200	375
20	175	205	230	
25	200	225	255	
30	220	250	275	

Recirculation



AUTO WATER LEVELLER

Part Number	Product Description
29319	Auto Water Leveller MK2

Waterco's Automatic Water Leveller adds to the leisure time of the pool owner by eliminating the need to keep an eye on the water level.

- Fully automatic operation
- Overflow connection
- Child resistant lock down lid assembly
- Simple servicing and connection

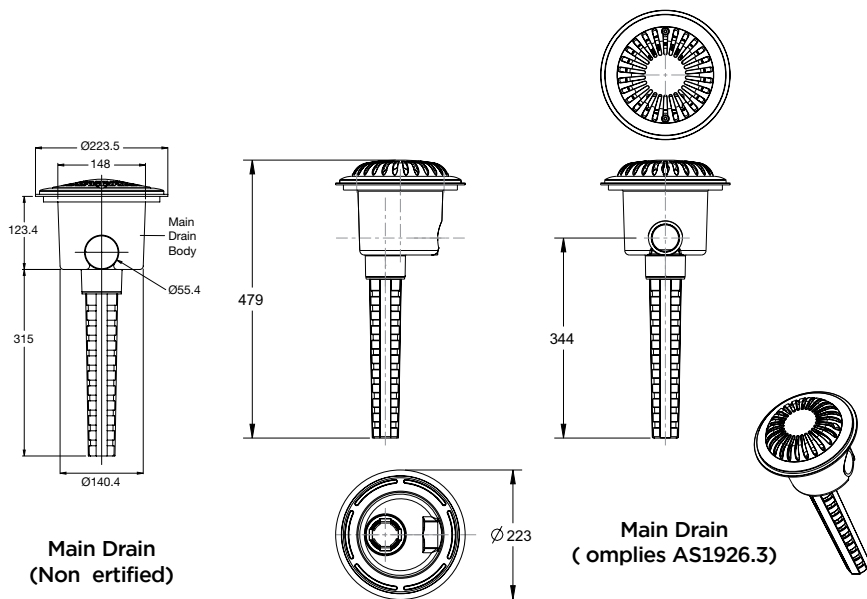


MAIN DRAINS

Part Number	Product Description	Colour	Port Size
293000	Waterco Main Drain MKII - white c/w valve and stem [Certified AS1926.3]	White	40mm
29301	Body	White	
29302	Hydrostatic Valve	White	
29304	Main Drain Stem	White	
29303	Cover & Dress Ring (white)	White	
293033	Cover & Dress Ring (MKII white)	White	

Waterco Main Drains are manufactured using the highest quality, impact resistant thermoplastic (ABS plastic). Main Drain incorporates a Hydrostatic valve. This valve will safeguard and stop your pool from lifting out of the ground or "popping" when the water level is low or when there is water under the pool. The long ground water spear detects underground water at a greater depth and causes the hydrostatic valve to release it before it can build up to a level that may damage your pool.

- Available in grey, white and beige.



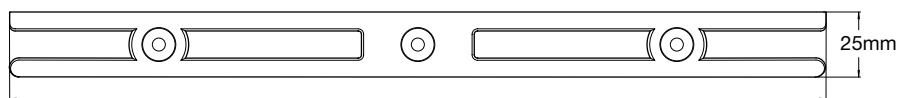
Recirculation



FLUSH DECK GRATING

Part Number	Product Description	Width
900302W	Flush Deck Grating c/w wave pattern with Waterco logo (41 per metre)	301mm
900303W	Flush Deck Grating c/w wave pattern with Waterco logo (41 per metre)	250mm

- Modular section - easy fitting especially around curves and bends
- Moulded pattern surface - non slip surface
- Flush fitting - no protrusion to pool surround
- Safe even water flow - maximum surface skimming



301mm OR 250mm
Curvature: minimum radius 800mm



SUCTIONS CONCRETE - CERTIFIED TO AS1926.3

Part Number	Product Description	Nominal Size
4534962	Waterco Slip Fit Clear	40mm
4534972	Waterco Slip Fit Clear	50mm
4534961	Waterco Slip Fit Grey	40mm
4534971	Waterco Slip Fit Grey	50mm
453496	Waterco Slip Fit White	40mm
453497	Waterco Slip Fit White	50mm
453494	Waterco Slip Fit Black	40mm
4534970	Waterco Slip Fit Black	50mm

- Available as 40 or 50mm pipe, slip fit for concrete and threaded for fibreglass pool applications.
- Low profile for minimal intrusion into the pool
- Suction area of 7500mm²
- Available in clear, black, white and grey
- Also available in white with 50mm threaded tail
- Testing accordance with AS1926.3 2010

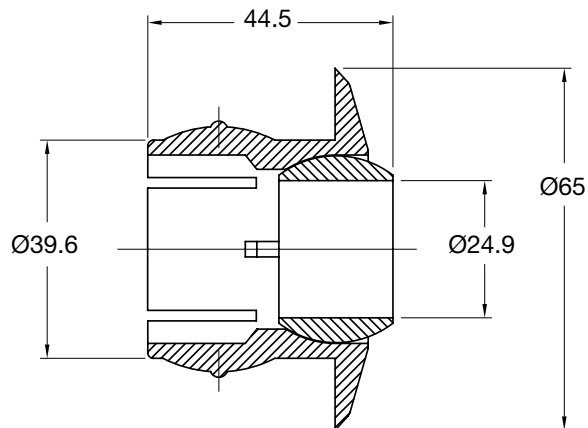
Recirculation

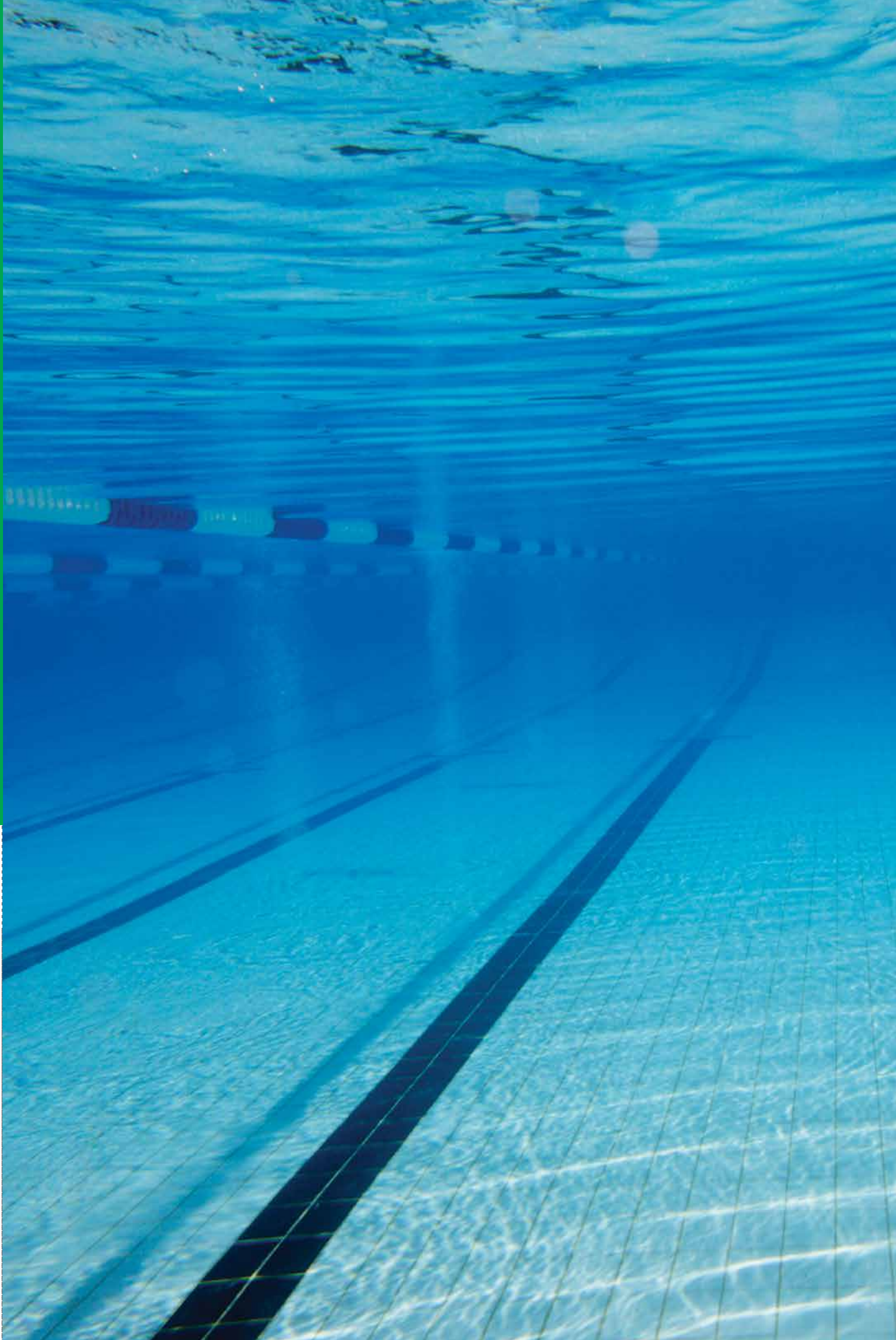


EYEBALL FITTINGS - CONCRETE POOLS

Part Number	Product Description	Nominal Size
29101	Multi Directional Eyeball (White)	CL9/40mm
29102	Multi Directional Eyeball (Brown)	CL9/40mm
29103	Multi Directional Eyeball (Clear)	CL9/40mm
29104	Multi Directional Eyeball (Black)	CL9/40mm
29108	Multi Directional Eyeball (Grey)	CL9/40mm
29150	Multi Directional Eyeball (White)	CL9/50mm
29153	Multi Directional Eyeball (Clear)	CL9/50mm
291500	Multi Directional Eyeball (Grey)	CL9/50mm

- Slip fit tail has crosshair slots for easy access into 40mm pipe
- Adjustable eyeball to assist directional flow of water
- Flush fitting wall collar
- Max flow rate: 245lpm
- Available in clear, black, grey, white and brown
- Also available in white with 50mm slip fit tail





MAINTENANCE & CLEANING VACUUM CLEANERS

Trident Robotic Pool Cleaners

Trident HYDRO-----	138
Trident ECO-----	138

Blueline Commercial Robotic Pool Cleaners

Blueline Pro X2-----	139
Blueline 2x2-----	139

Ultravac Service Trolley-----	140
--------------------------------------	------------

HANDOVER EQUIPMENT AND ACCESSORIES

Aqua Finger®-----	141
Pro Series-----	141
Standard Pool Cleaning Accessories-	141
Premium Vacuum Hose-----	141
Pool Ladder-----	141

Vacuum Cleaners



Effortless operation

- Top-access filtration system – easy to remove and clean.
- Lightweight and easy to handle.
- Fast, debris-free water release.

Crystal-clear cleaning results

- Active brushing action, scrub away dirt and debris.
- Effective, easy-to-use ultra fine filtration system.
- Efficient dirt collection - collects fine and rough debris.

Peace of mind

- Proven reliability.
- Rapid service and repair.



Effortless operation

- Top-access filtration system – easy to remove and clean.
- Lightweight and easy to handle.
- Fast, debris-free water release.

Crystal-clear cleaning results

- Active brushing action, scrub away algae and bacteria.
- Effective, easy-to-use fine filtration system.
- Efficient dirt collection - collects fine and rough debris.

Peace of mind

- Proven reliability.
- Rapid service and repair.

TRIDENT ROBOTIC POOL CLEANERS

Part Number	Product Description	Cable Length	Cycle Time
326395	Trident HYDRO	15m	2 hours
326394	Trident ECO	12m	1.5 hours

The Trident HYDRO robotic pool cleaner:

Experience superior pool cleaning with this advanced robotic pool cleaner. It is ultra-light weight and with quick water release, the Trident HYDRO is super-easy to handle. The active brushing action and the PowerStream Mobility System ensures efficient pool coverage, with extra-thorough scrubbing on all surfaces – leaving the floor, walls and waterline spotlessly clean.

Trident HYDRO Product Specifications

Ideal Pool Length	Ideal for pools approx 10m
Cleaning Coverage	Floor, Walls & Waterline
Filtration	Easy-clean Ultra-Fine filter basket
Cycle Time	2 hours
Brushing	Active brush spins at 2 x the speed of the robot, resulting in enhanced all-surface cleaning
Power Supply	Industry-leading energy efficiency
Cable Length	15 m
Weight	7.2 kg
Warranty	2 Years (Limited*)

* 2 Year warranty covers the motor unit, cable, and power supply of your Trident HYDRO robotic pool cleaner and all other parts for a period of 12 months from the date of purchase.

The Trident ECO robotic pool cleaner:

Specially designed to save water, lower energy bills and reduce chemical costs, the Trident ECO robotic pool cleaner is considered one of the most economically efficient cleaners on the market. Compact in design and lightweight in size, it's superior cleaning efficiency means you no longer have to endure the daily hassle of manually cleaning your pool.

Trident ECO Product Specifications

Ideal Pool Length	Ideal for small pools up to 8m in length Including above-ground pools
Cycle Time	1.5 hours
Filtration	Easy-clean net canister
Brushing	Active brush spins at 2 x the speed of the robot, resulting in enhanced all-surface cleaning
Power Supply	Industry-leading energy efficiency
Cable Length	12 m
Weight	6.3 kg
Warranty	2 Years (Limited*)

* 2 Year warranty covers the motor unit, cable, and power supply of your Trident ECO robotic pool cleaner and all other parts for a period of 12 months from the date of purchase.

Vacuum Cleaners



BLUELINE COMMERCIAL ROBOTIC POOL CLEANERS

Part Number	Product Description	Cable Length	Cycle Time
326353	Pro X2 Robotic Commercial Pool Cleaner - Combined Brush	30m	4/6/8 hours
326354	Pro X2 Robotic Commercial Pool Cleaner - Wonder Brush	30m	4/6/8 hours
326355	Blueline 2 x 2 Commercial Robotic Pool Cleaner - Combined Brush	40m	4/6/8 hours
326356	Blueline 2 x 2 Commercial Robotic Pool Cleaner - Wonder Brush	40m	4/6/8 hours

Total pool cleaning

Unique gyroscopic system delivers accurate and effective scanning for systematic cleaning along the entire pool.

Maximum hygiene

Thorough brushing efficiently removes algae and bacteria, enhancing water quality.

User-friendly

Fully automated, plug & play operation, with optional parameters to suit every pool, ensure easy use and maintenance.

Gain heavy-duty cleaning performance, with robust reliability for long-term, cost-effective operation. Commercial robotic cleaners from Maytronics are the proven, professional solution for any commercial Olympic pool - from small public pools to the largest, professional pools.

Advanced technologies ensure comprehensive scanning of the entire pool and highly effective brushing and filtering throughout. With fully automated operation, your staff can focus on other tasks and your pool water is left sparkling clear and hygienic after every cleaning cycle.

Pro X 2

Highly efficient cleaning for hotel, campground and school pools are up to 25m in length. The advanced gyroscopic system ensures accurate scanning for systematic coverage of floor, walls and water-line. High-capacity, ultra-fine filtration and fine filtration filter bags capture all dirt, dust and other debris, leaving clean and hygienic water throughout.

Two by Two

Put the power of two robots to work at once with this heavy-duty cleaner designed for professional pools up to 50m in length. With dual brushing action, dual high-capacity, ultra-fine filtration systems, and a sophisticated gyroscope, it expertly cleans the entire pool floor and walls with maximal effectiveness and efficiency.

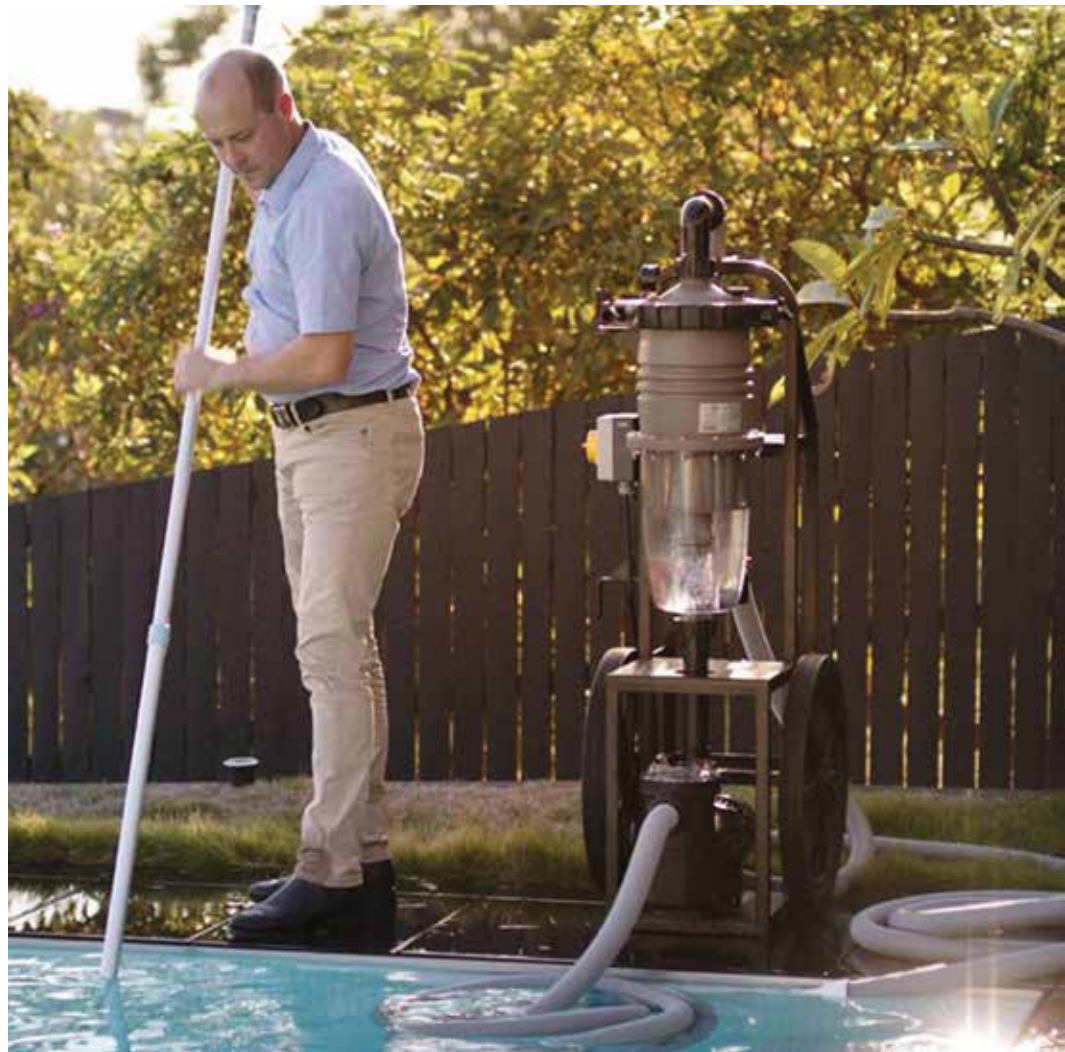
Specifications

	Pro X 2	Two by Two
Recommended for pools up to	25m	50m
Cycle time	4/6/8 hours	4/6/8 hours
Cable + Swivel	✓ 30m	✓ 40m
Filtration - fine porosity	✓	✓
Brushes	Combined	Combined
Well climbing	✓	✓
Dual drive motors	✓	✓
Remote Control	✓	✓
Weight	12kg	20kg
Suction rate (per hour)	17m ³	32m ³
Motor unit voltage	24 VDC	27 VDC
Power supply - digital switch-mode	Indication delay	
Output <30 VDC; IP54	Full filter bag indicator	
Caddy	✓	✓
Warranty on all parts	24 months	24 months



Multicyclone Ultra Vac Portable Filtration Cart

- ▶ Introducing Waterco's latest product release
- ▶ State of the art mobile cleaning trolley featuring the award winning multicyclone technology.
- ▶ Call for further details



Vacuum Cleaners



- Award winning MultiCyclone technology.
- Integrated pleated filter cartridge.
- Extended filter cleaning cycles and increased filter cartridge life span.
- Supastream self-priming pump.

ULTRAVAC SERVICE TROLLEY

Part Number	Product Description	Port Size
200400M	Ultravac Service Trolley Malaysia (Supastream 50 + MultiCyclone 12 Plus C40)	40mm

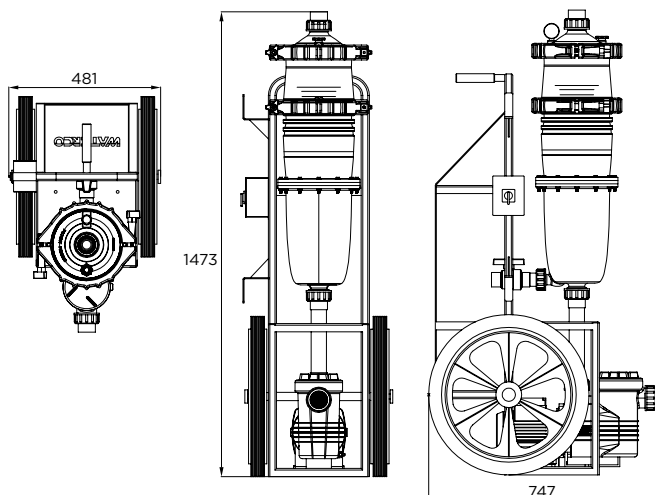
The MultiCyclone Ultra Vac portable filtration cart is a versatile filtration solution for every service need. It gives you the ability to vacuum your swimming pool, water feature, pond or fountain with a portable pump and filter – without losing valuable water.

Product Feature & Benefits:

- Sturdy cart construction: Constructed from strong structural steel tubing and powder coated for protection, capable of lasting many years.
- User-friendly design: Large wheels make it easy to navigate steps and uneven terrain such as gravel and a built-in shelf enables easy access to test kits for service technicians.
- The vacuum hose is easily fitted to the quick connect hose adaptors.
- Protective foot pads: Protective footpads, ensure you don't damage pool surrounds and paving.
- Self-priming pump: Supastream self-priming energy-efficient pump equipped with Waterco's innovative secondary seal for extra motor protection.
- Safety protection: The Ultra Vac comes standard with a 10m power cord while an RCD (residual current device) and isolator provide peace of mind safety protection.
- Pleated filter cartridge; its pleated filter cartridge is constructed from heavy-duty polyester filter fabric with deep pleats for long service life.
- This Portable Filtration Cart features the award-winning MultiCyclone, which removes up to 80 per cent of the incoming dirt load before it reaches the cartridge filter. It means you can vacuum for up to 5 times longer when compared to similar portable Vac systems.
- Simple maintenance: The MultiCyclone is easily cleaned by opening its purge valve. Only 15 litres of water is discharged to cleanse the MultiCyclone.



Dimensions (mm)



Note: Standard Ultravac comes with a 0.5Hp Supastream pump and Multicyclone Plus MC12 (40 ft³ cartridge). Other combinations available upon request. Vacuum hose is not supplied.

Waterco's Pool Cleaning Accessories

Waterco has redesigned its cleaning accessories to improve hydraulic efficiency and simplify pool maintenance.



Aqua Finger® makes cleaning smooth surface pools easier and quicker as more surface area is covered by its high density microfibre attachment.

Multi Purpose Microfibre Broom

- ▶ Large surface area for effective cleaning
- ▶ Can also be used to clean glass fencing, pool covers and windows



Brush Vacuum Head Pro

- ▶ Brush and vacuum the pool floor



Flexible Vacuum Head

- ▶ Weighted for optimum hydraulic balance



Algae Brush Pro

- ▶ Large design to take on the largest Pool Algae problems.



Algae Brush Pro

- ▶ Designed to cut open the hard membranes of "Black Spot" algae.



Pool Broom Pro

- ▶ The broom's curved ends make it easier to sweep around the corners of the pool.



Leaf Rake Pro

- ▶ The rake's leading edge lifts debris up and flicks it into the net.



Designed for many years of functional use, Waterco's pool cleaning accessories are manufactured from the highest quality U.V. stabilised plastics.

Handover Equipment and Accessories



AQUA FINGER® MULTI-PURPOSE SMOOTH SURFACE BROOM

Part Number	Product Description	Carton Qty
31330	Pool Broom Pro With Micro Fibre Sock	12
31331	Micro Fibre Sock	12



PRO SERIES POOL CLEANING ACCESSORIES

Part Number	Product Description	Carton Qty
313054	Brush Vacuum Head Pro	12
31313	Flexible Vacuum Head Pro	12
31329	Pool Broom Pro	12
3132320	Leaf Rake Pro	12
31308	Algae Brush Pro Blue Bristle	12



STANDARD POOL CLEANING ACCESSORIES

Part Number	Product Description	Nominal Size	Carton Qty
313052	Brush Vacuum Head		12
31312	Flexible Vacuum Head		12
313231	Leaf Rake (bag type)		12
313233	Leaf Rake Deluxe (bag type)		12
31328	Pool Broom Curved Deluxe [nylon white soft]	18"	12
31327	Pool Broom Curved [polypropylene Blue hard]	18"	12
31307	Algae Brush S/S 316	6"	12
31385	Telescopic Pole	8ft - 16ft	12
31380	Telescopic Pole	4ft - 8ft	12
66215	Wishbone 2 or 4 pin		



WATERCO PREMIUM VACUUM HOSES

Part Number	Product Description	Nominal Size
31011	Waterco Premium Vacuum Hose 38mm	11m
31015	Waterco Premium Vacuum Hose 38mm	15m



POOL LADDER

Part Number	Product Description	Specification
W22996	SS304 3-Step Ladder	SS304
W22997	SS304 4-Step Ladder	SS304
W22998	SS316 3-Step Ladder	SS316
W22999	SS316 4-Step Ladder	SS316



SPA EQUIPMENT AND ACCESSORIES

Spa Blowers-----	146
Air Switch & Air Button-----	146
Spa Jet-----	146
Inground/Portable Spa Air System Components-----	147
Air Controls & Injector Air Inlet-----	147
Spa Suctions & Skimmers-----	147

Spa Equipment and Accessories



SPA BLOWERS

Part Number	Product Description	Nominal Size
282400	Airflo Blower	900W
282401	Whisperair Blower	900W
282421	Whisperair S Blower (c/w Airswitch)	900W
282500	Airflo Blower	1200W
282501	Whisperair Blower	1200W
282521	Whisperair S Blower (c/w Airswitch)	1200W



WATERCO AIR SWITCH & AIR BUTTON

Part Number	Product Description	Nominal Size
Air Switch		
ASF010	Single Air Switch (10amp) c/w Tubing	10A
ASF012	Single Air Switch (10amp) c/w Time Clock and Tubing	10A
ASF024	Double Air Switch (10amp) c/w Tubing	10A
ASF026	Double Air Switch (10amp) c/w Time Clock and Tubing	10A
SB112701	PVC Tubing OD 6mm x ID 3mm	100m



Air Button		
ASF202	Air Button Low Profile - White	
ASF218	Air Button Low Profile - Chrome	
AFF199	Air Button Self Set - White	



SPA JETS

Part Number	Product Description	Fitted to
Venturi Spa Jet		
45530	Concrete Venturi Spa Jets	
Consists of: -		
45365	1 x 40mm Venturi "T" with 20mm Pipe Fitted Air Inlet Port	40mm socket
29101	1 x 40mm Eyeball to suit - White	40mm CL9 pipe
45242	20mm Air Bleed Valve - White	20mm socket



453653	Venturi Nozzle (only)	
25mm Mini Jets		
AS&P400	Compact Jet Body 25mm Water, 9mm Barbed Air	25mm pipe
ASF296	Double Manifold for Adjustable Faceplates	
ASF296	S&P Adjustable Faceplate, c/w 8mm Nozzles	
	34 LPM @ 90kPa	



40mm Jets		
ASF390	Jet Body (Single) 40mm Water 15mm Air, c/w 8mm Nozzles	40mm pipe
ASF272	Ultra Standard Faceplate (for ASF390)	
ASF440	Turbo Jet White 40mm Water 15mm Air c/w ASP005	40mm pipe



ASP210	Turbo Jet Grey 40mm Water 15mm Air/w ASP005	40mm pipe
ASP005	Turbojet Adjustable Directional Nozzle, 8mm Nozzles	
	37 LPM @ 104kPa	
ASP198	Faceplate Opener for Turbojets	

Spa Equipment and Accessories



INGROUND/PORTABLE SPA AIR SYSTEM COMPONENTS

Part Number	Product Description	Nominal Size
ASP215	S&P Air Injector White (Top, Body & Clamp)	
Consists of: -		
AC1776	Air Injector Body only - 26mm Female Thread, 9mm Barbed Air	
AC1434	S&P Injector Top only White - 25mm Threaded	7x 3mm air holes
AC1785	Clamp Ratchet 9mm	
ASP217	S&P Air Injector White (Top, Body & Clamp)	
Consists of: -		
AC1776	Air Injector Body only	
AC2028	S & P Injector Top only Grey - 25mm Threaded	7x 3mm air holes
AC1785	Clamp Ratchet 9mm	



AIR CONTROLS & INJECTOR AIR INLET

Part Number	Product Description	Nominal Size
ASF102	Standard Air Control - White	3/4" female thread
45242	Air Bleed Valve - White Threaded	20mm socket
ASF170	Self Set Air Control - White	25mm pipe
ASF174	Self Set Air Control - Beige	25mm pipe
ASF242	Air Injector - White (17 x 2mm Air Holes)	25mm pipe
ASF243	Air Injector - Beige (17 x 2mm Air Holes)	25mm pipe



SPA SUCTIONS & SKIMMERS (AS1926.3.2010 Compliant)

Part Number	Product Description
Suctions	
ASF480	Supa Suction 40mm Threaded - White
ASF523	Suction with Back Nut, Slip Fit (Glue) 40mm - White
Skimmer	
ASF080	Strip Skimmer - White



FITTINGS & VALVES

PVC Pressure Pipe And Fittings	150
Sweep Elbow	150
Fittings Elbow 90°/45°	150
Male Valve Adaptor	151
Female Faucet Adaptor	151
Male Valve Socket	151
Female Faucet Socket	151
Tee	151
Reducing Tee	151
Faucet Tee	152
Coupling/Joiners	152
Cap/End Cap	152
Reducing Bush	152
Reducing Coupling	152
Screwed Plug	152
Black Fitting - Elbow	153
Black Fitting - Other	153
Barrel Union	153
Pipe	153
Fittings	153

VALVES

FlowVis Valve	154
Compact Ball Valve	154
Flow Check Valve	154
FPI Valves 400 Kpa	155

Fittings & Valves



PVC PRESSURE PIPE AND FITTINGS

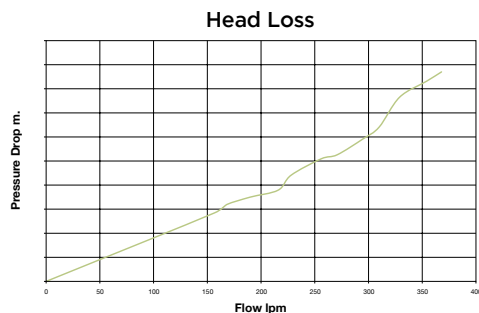
Part Number	Product Description	Nominal Size	Carton Qty
112509	Class 9	25mm x 6m	5 per bundle
114008	Class 9	40mm x 3m	5 per bundle
114009	Class 9	40mm x 6m	5 per bundle
115009	Class 9	50mm x 6m	3 per bundle
112012	Class 12	20mm x 6m	5 per bundle
112512	Class 12	25mm x 6m	5 per bundle
114012	Class 12	40mm x 6m	5 per bundle
115012	Class 12	50mm x 6m	3 per bundle
111515	Class 15	15mm x 6m	5 per bundle
114018	Class 18	40mm x 6m	5 per bundle
114015	Solarpipe - Black	40mm x 6m	5 per bundle
115013	Solarpipe - Black	50mm x 6m	3 per bundle
627020	Conduit	20mm x 3m	
627025	Conduit	25mm x 3m	



Waterco's 50mm PVC Sweep Elbow is specifically designed to provide a long radius for superior water flow. This is the perfect solution to improving a pool's hydraulic efficiency, particularly when using energy efficient pumps.

SWEEP ELBOW

Part Number	Product Description	Nominal Size	Carton Qty
121553	Sweep Elbow - Black	50mm	30
121552	Sweep Elbow - White	50mm	30



FITTINGS ELBOW 90°



Part Number	Product Description	Nominal Size	Carton Qty
121315		15mm	
121320		20mm	
121325		25mm	220
121340		40mm	90
121350		50mm	60
121343	Street Elbow 90°	40mm	100
121365		65mm	

FITTINGS ELBOW 45°



Part Number	Product Description	Nominal Size	Carton Qty
121015		15mm	
121020		20mm	
121025		25mm	300
121040		40mm	120
121050		50mm	90

Fittings & Valves



MALE VALVE ADAPTOR

Part Number	Product Description	Nominal Size	Carton Qty
12220		20mm	
12225		25mm	
12240		40mm	200
12250		50mm	



FEMALE FAUCET ADAPTOR

Part Number	Product Description	Nominal Size	Carton Qty
12320		20mm	
12325		25mm	
12340		40mm	100
12350		50mm	



MALE VALVE SOCKET

Part Number	Product Description	Nominal Size	Carton Qty
121720		20mm	
121725		25mm	
121740		40mm	180
121750		50mm	
121765		65mm	



FEMALE FAUCET SOCKET

Part Number	Product Description	Nominal Size	Carton Qty
121820		20mm	
121825		25mm	
121840		40mm	180
121850		50mm	120



TEE

Part Number	Product Description	Nominal Size	Carton Qty
121915		15mm	
121920		20mm	
121925		25mm	150
121940		40mm	70
121950		50mm	40
121965		65mm	



REDUCING TEE

Part Number	Product Description	Nominal Size
1219252		25 x 20mm
1219402		40 x 20mm
1219403		40 x 25mm
1219504		50 x 40mm

Fittings & Valves



FAUCET TEE

Part Number	Product Description	Nominal Size
1221401		40 x 15mm BSP
1221402		40 x 20mm BSP
1221403		40 x 25mm BSP



COUPLING / JOINERS

Part Number	Product Description	Nominal Size	Carton Qty
12715		15mm	
12720		20mm	
12725		25mm	400
12740		40mm	180
12750		50mm	120
12765		65mm	



CAP / END CAP

Part Number	Product Description	Nominal Size	Carton Qty
12615		15mm	
12620		20mm	
12625		25mm	500
12640		40mm	250
12650		50mm	150
AC700	Internal Caps	25mm	
AC703	Internal Caps	40mm	



REDUCING BUSH

Part Number	Product Description	Nominal Size	Carton Qty
125251		25 x 15mm	
125252		25 x 20mm	
12543		40 x 25mm	450
12555		50 x 40mm	220
12565		65 x 50mm	
12555BLK	Black	50 x 40mm	220



REDUCING COUPLING

Part Number	Product Description	Nominal Size	Carton Qty
128252		25 x 20mm	
12842		40 x 20mm	
12843		40 x 25mm	
12855		50 x 40mm	150



SCREWED PLUG

Part Number	Product Description	Nominal Size	Carton Qty
122340		40mm	

Fittings & Valves



121942



12642



121380



1210100

BLACK FITTING - ELBOW

Part Number	Product Description	Nominal Size	Carton Qty
121342	Elbow 90°	40mm	90
121352	Elbow 90°	50mm	60
121042	Elbow 45°	40mm	120
121052	Elbow 45°	50mm	90

BLACK FITTING - OTHER

Part Number	Product Description	Nominal Size	Carton Qty
12742	Coupling	40mm	180
12752	Coupling	50mm	120
121942	Tee	40mm	70
121952	Tee	50mm	40
12642	Cap	40mm	250
12652	Cap	50mm	150
1222411	Barrel Union (Threaded - Black)	40mm	

BARREL UNION

Part Number	Product Description	Nominal Size
122225	Barrel Union (Standard)	25mm
122240	Barrel Union (Standard)	40mm
122250	Barrel Union (Standard)	50mm
122280	Barrel Union (Standard)	80mm
122241	Barrel Union (Threaded)	40mm
1222510	Barrel Union (Threaded) Black	50mm

PIPE

Part Number	Product Description	Nominal Size
118009	Class 9	80mm x 6m
111009	Class 9	100mm x 6m
116512	Class 12	65mm x 6m
118012	Class 12	80mm x 6m
111012	Class 12	100mm x 6m

FITTINGS

Part Number	Product Description	Nominal Size
121380	90° Elbow	80mm
1213100	90° Elbow	100mm
121080	45° Elbow	80mm
1210100	45° Elbow	100mm
121980	Tee	80mm
1219100	Tee	100mm
12780	Coupling	80mm
127100	Coupling	100mm
12586	Reducing Bush	80 x 50mm
125107	Reducing Bush	100 x 80mm

Valves



FLOWVIS VALVE

Part Number	Product Description	Nominal Size
132312	FlowVis Valve 50/65mm	50/65mm

FlowVis® is a revolution in reliable flow measurement. It is the most advanced precision flow meter designed specifically for pools, spas, fountains, and water features.

The FlowVis is ideal to install in conjunction with a variable/multi speed pumps. This will enable accurate pump operating speed adjustments to ensure sufficient water flows to the pools filtration, sanitising and heating equipment



COMPACT BALL VALVE

Part Number	Product Description	Nominal Size	Carton Qty
14025	Compact Ball Valve 25mm	25mm	36
14040	Compact Ball Valve 40mm	40mm	18
14050	Compact Ball Valve 50mm	50mm	12

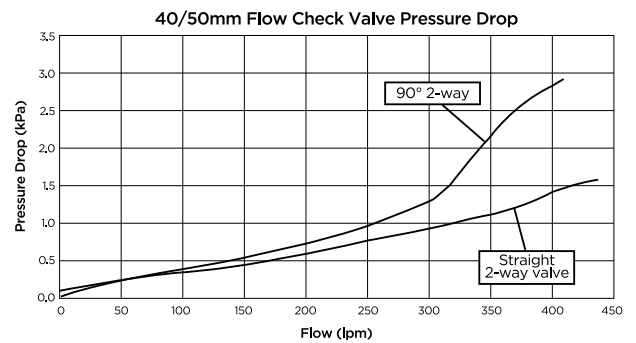
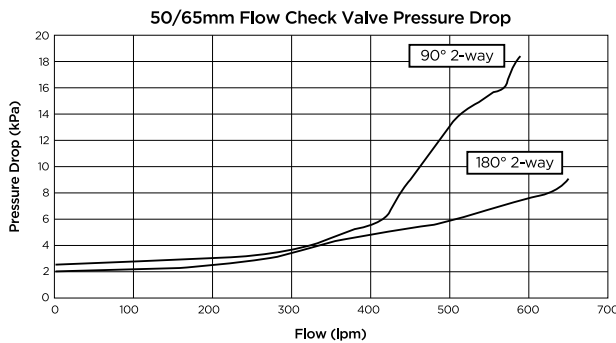


FLOW CHECK VALVE - Spring Loaded

Part Number	Product Description	Nominal Size	Carton Qty
14641	Flow Check Valve 180 deg Straight	40/50mm	20
146419	Flow Check Valve 90 deg Elbow	40/50mm	20
14651	Flow Check Valve 180 deg Straight	50/65mm	20
146519	Flow Check Valve 90 deg Elbow	50/65mm	20

Waterco's Flow Check valves have been designed to be simple to install, inspect and service.

- Ideal for both inlet and return lines.
- Eliminate the loss of prime on the suction side of a pump.
- Prevent the drain down of water towards pumps and filters.
- Prevent water flow in an unwanted direction.



Valves



FPI VALVES 400 kPa

Part Number	Product Description	Nominal Size	Carton Qty
148503	2 Way Valve Threaded with Half Unions (6 Bar)	25/32mm	20
148505	2 Way Valve Slip Fit (6 Bar)	25/32mm	20
148500	3 Way Valve Threaded with Half Unions (6 Bar)	25/32mm	20
148502	3 Way Valve Slip Fit (6 Bar)	25/32mm	20
14852	2 Way Valve (4 bar)	40/50mm	20
14853	3 Way Valve (4 bar)	40/50mm	20
14856	2 Way Valve (4 bar)	50/65mm	20
14860	3 Way Valve 360° (4 bar)	50/65mm	20
14892	2 Way Valve Threaded with Half Unions (4 bar)	65/80mm	20
14893	3 Way Valve Threaded with Half Unions (4 bar)	65/80mm	20
148564	2 Way Valve Actuated Type (4 bar)	50/65mm	20
148584	3 Way Valve Actuated Type (4 bar)	50/65mm	20

Waterco FPI Valves are designed for optimal hydraulic flow and engineered to be maintenance free.

- Teflon™ seals*
- Quick installation
- UPVC and ABS construction
- Available in 2 and 3 way configurations
- 316 grade stainless steel components
- 400 to 600kPa pressure rated



CHEMICALS

Aquahealth

Aqua~Health Range Chlorine-----	158
Aqua~Health Ultra Shock-----	159
Aqua~Health Sunscreen-----	159
Aqua~Health Granular pH Decreaser-	160
Aqua~Health Hardness Increaser-----	160
Aqua~Health Alkalinity Increaser-----	160
Aqua~Health Aquashine-----	161
Aqua~Health Supafloc-----	161
Aqua~Health Black Spot Treatment--	162
Aqua~Health Concide-----	162
Aqua~Health Control & Condition----	163

Poppits

Poppit Quick Fix-----	165
Poppit Water Balance-----	165
Poppit Spa Cal Hardener-----	165
Poppit pH Reducer-----	165
Poppit Filter Cartridge Cleaner-----	166
Poppit Spa Sanitiser-----	166

Perox Series Chemicals

Perox 395-----	167
Perox Perfect-----	167
Perox pH Control-----	167
Perox pH Decreaser-----	167
Peroxsil 395-----	167

WATER TESTER & REAGENT

Spintouch Photometer-----	168
Waterco Test Kits-----	168
Test Strips-----	168

Chemicals



AQUA-HEALTH RANGE CHLORINE

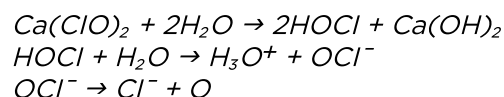
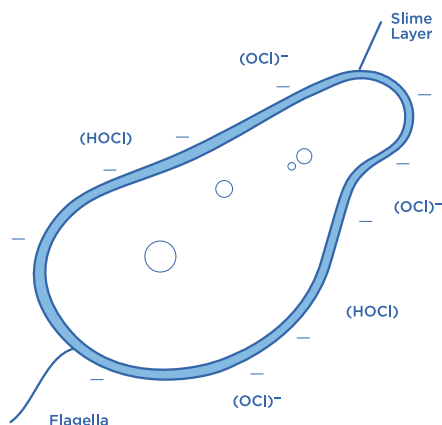
Part Number	Product Description	Pack Size	Form
34705	Super 700	5kg	Powder
34740	Super 700	40kg	Powder
W99065	Super 900	1kg	Tablet
W01446	Super 900	50kg	Tablet

Aqua-health Chlorine Super 700

Calcium Hypochlorite, Chlorine Super 700 is an inorganic compound with formula $\text{Ca}(\text{ClO})_2$. It is the preferred disinfectant for application, effective, convenient, and cheaper to use. $\text{Ca}(\text{ClO})_2$ is commonly used to sanitizer swimming pools and water disinfection.

How it works

Aqua-health Chlorine Super 700, $\text{Ca}(\text{ClO})_2$ reacts with water to form hypochlorous acid, HOCl and it will partly expires to Hypochlorite ions, OCl^- . Then, hypochlorous acid and hypochlorite ions will form free chlorine when bond together. Chlorine kills pathogens by by exchange enzymes or protein in bacterial cell surface. When chlorine contact with enzymes, hydrogen atoms in the molecule are replaced by chlorine. When enzymes do not function well, bacteria will die. This result disinfection. Hypochlorous acid penetrate the slime layers, cell walls and protective layers of pathogenic microorganism which negative charges, and kills pathogens effectively.

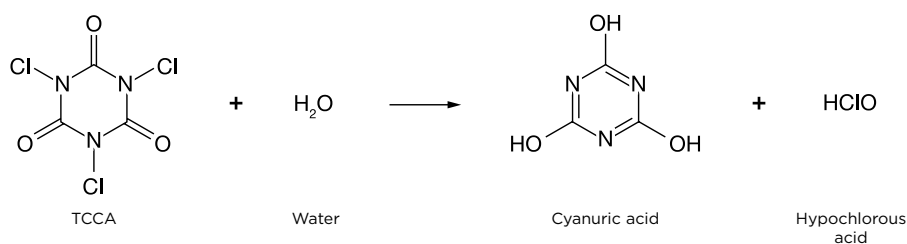


Super 900 Chlorinating Tablets

Super 900 Chlorinating Tablets is made up of organic compound known as Trichloroisocyanuric Acid (TCCA). Its utilization in swimming pools and spas serves to furnish stable chlorine and consequently functions as disinfectant for an extended period of time.

How it works

TCCA reacts with pool water to produce Cyanuric Acid and Hypochlorous Acid (HClO). The HClO produced from the reaction provides free chlorine to swimming pools for disinfectant purposes. Cyanuric Acid serves as stabilizer to minimise chlorine loss from direct ultraviolet ray exposure.



*** The product safety: this product is non-reactive & stable under normal conditions of storage & use. May intensify fire, keep away from heat, hot surfaces, sparks, open flames and other ignition sources. No Smoking. Do not mix with acid and Calcium Hypochlorite as it liberates toxic gas and induce fire.

Chemicals



AQUA-HEALTH ULTRA SHOCK

Part Number	Product Description	Pack Size	Carton Qty
34004	Ultra Shock	1kg	12
34006	Ultra Shock	5kg	1

Aqua-Health Ultra Shock is an alternative non-chlorine treatment to superchlorination for the 'shock' treatment of swimming pools. It effectively oxidises the organic content of pool water quickly and easily, leaving it sparkling clean. Ultra Shock is compatible with vinyl, chlorinated, brominated and ozonated pools.

Features & Benefits

- ✓ Contains NO chlorine - no unpleasant odours
- ✓ Like chlorine, destroys organic compounds - makes water sparkle
- ✓ Compatible with all chlorinated (including salt), brominated or ozonated sanitising systems
- ✓ Dissolves easily in water - no pre-mixing is required
- ✓ Suitable in any pool water conditions
- ✓ Preferred for "superchlorination" in salt water pools as it doesn't affect chlorinator electrodes
- ✓ No pool shutdown required - dose and swim 1 hour later
- ✓ Pre-measured jars are simple to use

Available Pack Sizes

1kg and 5kg

Recommended Dosage

For pools add 125g/10,000L, for spas 60g/2,000L.



AQUA-HEALTH SUNSCREEN

Part Number	Product Description	Pack Size	Carton Qty
34713	Sunscreen	3kg	6
34715	Sunscreen	25kg	1

Reduces chlorine consumption in pools by up to 50% by protecting and stabilising the chlorine from the sun's harmful ultraviolet rays. Ideal for chlorinated and salt water pools. It stabilizes the free chlorine and prevents chlorine breakdown by UV light from the sun. Aqua-Health Sunscreen also ensures the sanitiser works effectively.

Features & Benefits

- ✓ Protects chlorine from the sun's UV rays
- ✓ Use in all chlorine and salt pools and Spas
- ✓ Use in all chlorinated and saltwater pools and spas

Available Pack Sizes

3kg and 25kg

Recommended Dosage

500g/10,000L raises sunscreen levels by 50ppm.

Levels between 30 and 50ppm are ideal. Levels over 100 ppm will cause chlorine Lock.

There is no added benefit of levels above 50ppm.

Chemicals



AQUA-HEALTH GRANULAR PH DECREASER

Part Number	Product Description	Pack Size	Carton Qty
6508025	Granular pH Decreaser (Dry Acid)	25kg	1

A safer alternative to hydrochloric acid, this special formulation reduces the pH and lower the total alkalinity in pool water.

Features & Benefits

- ✓ Safe to handle.
- ✓ Soluble in water.
- ✓ Long shelf life.
- ✓ No fumes.

Available Pack Sizes

25kg

Recommended Dosage

Application rate will depend on the pH and size of the pool. Please refer to product label or your pool shop specialist for dosages and application.



AQUA-HEALTH HARDNESS INCREASER

Part Number	Product Description	Pack Size	Carton Qty
34658	Hardness Increaser (Cal-Chloride)	8kg	2
35658	Hardness Increaser (Cal-Chloride)	25kg	1

Aqua-Health Hardness Increaser raises the hardness of water (the concentration of dissolved calcium) in your pool thus preventing pitting of concrete-based pool walls and erosion of mortar and tile grout. It also reduces damage to Marblesheen and pebble finished pools, caused by low levels of calcium.

Features & Benefits

- ✓ Non-hazardous chemical
- ✓ Excellent at increasing the level of water hardness
- ✓ Totally soluble in pool water
- ✓ Has a shelf life of several years if stored in cool, dry conditions
- ✓ Will not affect the pH or total alkalinity

Available Pack Sizes

8kg and 25kg

Recommended Dosage

For an increase of 10ppm use 150g/10,000L of pool water.



AQUA-HEALTH ALKALINITY INCREASER

Part Number	Product Description	Pack Size	Carton Qty
34646	Alkalinity Increaser (Bi-Carb)	10kg	2
34650	Alkalinity Increaser (Bi-Carb)	25kg	1

Aqua-Health Alkalinity Increaser raises the total alkalinity of your pool and acts as a pH buffer. Pool water treated with Aqua-Health Alkalinity Increaser will have a pH that is most comfortable to swim in.

Aqua-Health Alkalinity Increaser also helps protect against corrosion and scaling, and maintain a stable pH.

Features & Benefits

- ✓ Excellent at buffering the pH of pool water at a level comfortable for swimming and appropriate for chlorine disinfection
- ✓ Totally soluble in any water conditions
- ✓ Has a shelf life of several years if stored in cool, dry conditions
- ✓ Is a non-hazardous chemical

Available Pack Sizes

10kg and 25kg

Recommended Dosage

For a 60ppm increase in total alkalinity, add 1kg /10,000L of pool water. Dissolve in a bucket of water and distribute over the pool. Run filter for at least 8 hours.

Chemicals



AQUA-HEALTH AQUASHINE

Part Number	Product Description	Pack Size	Carton Qty
34725	Aquashine	5L	3
34726	Aquashine	20L	1

Aqua-Health Aquashine is a water polisher designed to maintain the sparkle in pool water. It contains ingredients that bind with materials which can cause cloudy water allowing them to be easily filtered out of the pool. It also conditions the filter to assist in the removal of suspended matter.

Features & Benefits

- ✓ Improves filter efficiency.
- ✓ It's concentrated; 1L will treat 100,000L of pool water when used on a maintenance basis.
- ✓ Fast acting - coagulated particles will be filtered out or settle overnight.
- ✓ Effective in a wide range of water qualities (pH, alkalinity, hardness, etc.).
- ✓ Pool can be used immediately after treatment - no waiting period.
- ✓ Can be used in conjunction with other pool chemicals.
- ✓ Biodegradable, non-toxic and non-irritating.
- ✓ Can be used in all types of pool finishes.

Available Pack Sizes

5L and 20L

Recommended Dosage

For initial use 200mL/10,000L of pool water, for ongoing maintenance 100mL/10,000L of pool water.



AQUA-HEALTH SUPAFLOC

Part Number	Product Description	Pack Size	Carton Qty
34784	Supa-Floc - (Liquid)	1L	12

Clears cloudy water and improves filtration. This product can combine with suspended particles such as dirt and dead algae and cause them to drop to the bottom of the pool to be vacuumed out. Use this product when you do not wish to raise your pH levels to restore clarity to cloudy pool water.

Features & Benefits

- ✓ Requires no adjustment of normal pool pH (best between 7.6-7.7)
- ✓ Clears the cloudiest pools in under 6 hours
- ✓ Easy to apply liquid formulation
- ✓ No messy residue
- ✓ Removes dead algae and other floating particles
- ✓ Quickly settles debris and organic matter to the bottom of the pool
- ✓ Very economical to use
- ✓ Compatible with all types of pool chemicals
- ✓ Can be used in all types of pool finishes

Available Pack Sizes

1L

Recommended Dosage

Mix 100mL/10,000L of pool water in a bucket of water and spread over pool area. Set filter to recirculate and run pump for 4-6hrs. Leave pool to settle and then vacuum sediment to waste.

Chemicals



AQUA-HEALTH BLACK SPOT TREATMENT

Part Number	Product Description	Pack Size	Carton Qty
34421	Blackspot Granular Treatment	1L	6
34423	Blackspot Granular Algae Prevention	20L	1

A non-foaming non-metallic formula for the control of black algae in swimming pools. It has dual effect in the pool as algaecide and clarifier at the same time. Effective against a broad range of algae.

Features & Benefits

- ✓ Can be used in all pool finishes
- ✓ Effective against black algae, and resistant algae
- ✓ Can be used in ionised pools
- ✓ Excellent synergy for saltwater pools

Available Pack Sizes

1L

Recommended Dosage

Initial dose 150mL/10,000L of pool water (heavy outbreaks), 110mL/10,000L (light outbreaks), 40-60mL/10,000L (preventative).



AQUA-HEALTH CONCIDE

Part Number	Product Description	Pack Size	Carton Qty
34550	Concide	1L	12
34555	Concide	20L	1

Aqua-Health Concide is an extra-strength algaecide especially formulated to kill and control algae where there are severe problems. Its active ingredients make it ideal for controlling all types of algae including the more resistant black strains.

Features & Benefits

- ✓ Effective against all types of algae even the usually more resistant strains.
- ✓ Compatible with chlorine, it also has negligible effect on pH, total alkalinity, and hardness
- ✓ Once added, remains effective for three months
- ✓ Extra-strength formulation is great for stubborn algae problems

Available Pack Sizes

1L and 20L

Recommended Dosage

Initial dose 85mL/10,000L of pool water. If severe double the dose.

Chemicals



AQUA-HEALTH CONTROL & CONDITION

Part Number	Product Description	Pack Size	Carton Qty
34776	Control & Condition	1L	12

Aqua-Health Control & Condition is designed to control hardness salt deposition on salt chlorinator electrodes and heat exchange elements of gas and electric heaters.

It also has the ability to bind with dissolved metal, disperse solid materials such as scale, and inhibit scale from forming on the pool surface.

Features & Benefits

- ✓ Prolongs the life of salt chlorinator electrodes and heater elements
- ✓ Increases heat transfer by maintaining cleaner heater elements
- ✓ Eliminates the need for harsh acids when removing scale
- ✓ Lowers maintenance requirements - scale is simply hosed off
- ✓ Effective over a wide range of pH and temperature conditions
- ✓ Loosens and dissolves existing scale formations on pool walls and prevents reformation
- ✓ Removes stains on pool surfaces caused by dirt, algae and metal corrosion
- ✓ Helps clarify water that is discoloured or clouded by iron, manganese and calcium

Available Pack Sizes

1L

Recommended Dosage

Add 200mL per 10,000L of pool water to a bucket filled with water (never add water to chemicals) and distribute evenly around the pool perimeter.

Pool & Spa Chemicals



Here at Waterco, we offer a wide range of chemical products for your pool and spa - everything from sanitiser, balancing chemicals, stain removal to algaecide.



Solutions for freshwater & salt pool

The Aqua-Health™ line of chemicals takes care of everything from algae stains and low pH levels to maintaining crystal clear water during the peak swimming season.



Chlorine Free Spa

Our Poppits line is a chlorine free range which is designed to be kind to asthmatics, is gentle on sensitive skin and protects the environment. It is approved by the Sensitive Choice® program of the National Asthma Council Australia and the Asthma Foundation NZ.

WATERCO

water, the liquid of life

www.waterco.com

Chemicals



POPPIT QUICK FIX

Part Number	Product Description	Pack Size	Carton Qty
348803	Poppit Quick Fix	1kg	6

Spa & Pool Oxidiser

Water supplied by water authorities generally contains chlorine in various amounts, which are often dependent upon the water table level and local conditions. There will always be a chlorine concentration as well as other organic and inorganic matter present in the water.

POPPITS brand - Quick Fix - chlorine free oxidiser is used to oxidise or “burn up” these contaminants and leave the water free from chlorine and ready to be balanced and then sanitised.

Poppit Quick Fix is recommended during the initial start-up of your new spa and also for weekly maintenance.

Features & Benefits:

- Chlorine free oxidiser
- Ideal for the regular cleaning and maintenance of spas as well as those in need of a quick clean up
- Oxidises organic material

Available Pack Size:

1kg Containers



POPPIT WATER BALANCE

Part Number	Product Description	Pack Size	Carton Qty
348320	Poppit Water Balance	1kg	6

Balances water, protects your equipment and enables bactericides to perform at maximum effectiveness. Poppit Water Balance raises pH and alkalinity of spa water.

It has been formulated to protect heat exchangers from the damaging effects of scale and corrosion.

Available Pack Size:

1kg containers



POPPIT SPA CAL HARDENER

Part Number	Product Description	Pack Size	Carton Qty
348314	Poppit Spa Cal Hardener	500g	12

Poppit Spa Cal Hardener will increase water hardness which prevents etching, pitting and corrosion of spa surfaces and metallic components.

Available Pack Size:

500g Containers



POPPIT PH REDUCER

Part Number	Product Description	Pack Size	Carton Qty
348316	Poppit pH Reducer	750g	12

Poppit pH Reducer is used to lower the pH level of the spa pool water to a desired level.

Available Pack Size:

750g Containers

Chemicals



POPPIT FILTER CARTRIDGE CLEANER

Part Number	Product Description	Pack Size	Carton Qty
348102	Poppit Filter Cartridge Cleaner	1kg	6

Poppit Filter Cartridge Cleaner cleans and degreases your filter cartridges by oxidising (burning up the fats) without harming the filter cartridge. Regular usage of Poppit Filter Cartridge Cleaner (every 1-2 weeks) will prevent cloudy, smelly spa water and prolong the life of the filter cartridge.

Features & Benefits:

- Suitable for most filter cartridges in Swimming pool & Spas
- Cleans body fats and dirt away without chlorine residue

Available Pack Size:

1kg Containers

Clean filter cartridge every 1-2 weeks, depending upon spa usage.



POPPIT SPA SANITISER

Part Number	Product Description	Pack Size	Carton Qty
348707	Spa Poppit Spa Sanitiser	15kg	1

Poppit Spa Sanitiser cleans and conditions the spa in one action. It uses hydrogen peroxide to oxidise the bacteria and organic materials in spa water, while at the same time prevents the build-up of organic slime on spa walls and seats.

The advantage of the Poppit Spa Sanitiser is that it does not contain chlorine or bromine making it ideal for asthmatics and people with sensitive skin.

In fact, there is no need to shower or bath after using your spa.

Features & Benefits:

- Endorsed by the National Asthma Council
- Gentle on the skin
- Free of chlorine, bromine and salts
- Cleans and conditions the spa in one action
- Creates an oxygen enriched environment
- Helps to keep your spa water clear and odour free
- Step 3 of the Poppit Spa Management Program

Recommended for Spa with water volume between 500 and 7,000 Litres.

Available Pack Size:

15L Containers

Healthy Alternative for a Sparkling Clean Chlorine Free Spa!

Chemicals



PEROX SERIES CHEMICALS

Part Number	Product Description	Pack Size
348362	Perox 395	25L
348272C	Perox Perfect	15L
348395	Perox pH Control	15L
348600	Perox pH Decreaser	25kg
348389	Peroxsil 395	15L

Water and oxygen; two elements we couldn't live without. Together they create one of the most powerful sanitisers on the planet. Perox (H_2O_2) is a formulated blend of hydrogen peroxide which is simply water with an extra oxygen molecule that has been developed to work in unison with the Hydroxypure system to ensure perfectly sanitised water at all times. Hydrogen Peroxide is formed in nature to control bacteria that grows all around us. For example, during a lightning storm, hydrogen peroxide is created to combine with rain and naturally cleanse the environment.

For many years, hydrogen peroxide has been widely used in health treatments, from mouthwashes to antiseptic cleaner and anti-fungal treatments. In fact, health practitioners all over the world regard Hydrogen Peroxide Therapy as one of the greatest. Water and oxygen are necessary elements for the existence of human life. Therefore it seems only natural to use hydrogen peroxide to keep your swimming pool and spa naturally clean.

Features & Benefits:



Endorsed by the National Asthma Council of Australia



Sensitive to skin



Outstanding water clarity



No allergic reactions



No harmful chemical by-products



Extended life of pool surfaces and equipment

Water Tester & Reagent

SPINTOUCH PHOTOMETER

Part Number	Product Description	Pack Size
7007092	SpinTouch Photometer with Carrying Case	
70070903	Chlorine/Bromine +Phosphate 204 Series Disc (4329-H)	50 / box
348972	Chlorine 3x3 601 Series Disc (4335-H)	50 / box

WATERCO TEST KITS

Part Number	Product Description
31405	Waterco 2 in 1 test kit DPD - pH, Total or Free Chlorine
31410	Waterco 4 in 1 test kit DPD - pH, Alk, Chlor, Hard
31550	DPD1 Tablet for Free Chlorine
31525	Phenol Red for pH
31530	Solution 3 for 4 in 1 Test Kit
31535	Solution 4 for 4 in 1 Test Kit
31540	Solution 5 for 4 in 1 Test Kit



Waterco 2 in 1 test kit DPD
Test kit measures pH and free chlorine levels in the water.



Waterco 4 in 1 test kit DPD
Test kit measures pH, total alkalinity, free chlorine and acid demand levels in the water.

TEST STRIPS

Part Number	Product Description	Pack Size	Carton Qty
348914	Poppits 4 Way Test Strips	50 strips	12
700070922	Lamotte Insta - Test [®] 6 Plus	50 strips	



Poppit 4-Way Test Strips
Strips measure hydrogen peroxide, pH, total alkalinity and calcium hardness levels in the water.




LaMotte Insta-TEST 6 Plus
Strips measure free chlorine, total chlorine, alkalinity, pH, total hardness and cyanuric acid levels in the water.

DO YOU HAVE YOUR POOL CHEMISTRY CHECKED?

Pool chemistry is a complex process as it involves recirculation of huge body of water, with constant addition of chemicals and accumulation of dirt load in the system. Trace elements can slowly build up and complicate the interaction between each chemicals; algae spores and biofilm might be staying dormant, waiting for a chance to take over the pool. Nevertheless, a pool shall be kept trouble-free should pool chemistry upkeep is good. Below is the common pool parameters limit adapted from Australia Standard AS3633, which may differ slightly across different countries.

- Culprit for the notorious bad "chlorine" smell.
- Can be reduced by chlorine shock, or by Ozonation.




pg112

- Manual pH adjustment using pool acid and soda ash/sodium bicarbonate.
- Auto pH adjustment to maintain pH at optimal point all the time.

PARAMETERS	RANGE
pH	7.2 - 7.8
Free Chlorine	1.0 - 3.0 mg/L
Combined Chlorine	< 1.0 mg/L
Cyanuric Acid	< 50 mg/L
Total Alkalinity	80 - 120 mg/L
Calcium Hardness	150 - 300 mg/L
Phosphate	< 0.2 mg/L


- Commonly known as stabiliser.
- Functions to protect chlorine from breakdown by UV light.



pg159


- Calcium Hypochlorite: 60-70% available chlorine, solid form, can raise calcium hardness & pH.
- Sodium Hypochlorite: 10-12% available chlorine, liquid form, can raise pH.
- Dichlor & Trichlor: 70-90% available chlorine, solid form, contain cyanuric acid.
- Chlorine Gas: 100% available chlorine, pure gaseous form.

- Food to algae, will turn water green quickly.



pg111

- Together with pH, alkalinity and calcium hardness affect corrosive / scaling potential of pool water.



pg106

*For more info on pool chemicals, refer page 158-168.

Warranty Terms & Conditions

Important note: The benefits under this warranty are in addition to other legal rights and remedies you may have in relation to Waterco products.

PLEASE READ

1. These terms and conditions carefully, as failure to comply may affect your legal rights under this warranty; and
2. Any operation instructions carefully before commencing use of any product manufactured by Waterco Limited ("Waterco"). Waterco manufactures quality pool and spa products to the highest standards using the most advanced technology and production procedures available.

WARRANTY COVER

If a defect occurs in any Waterco product during the warranty period, Waterco will at its discretion, repair the product or replace free of charge provided that the defect results solely from poor workmanship or materials and subject to these terms and conditions.

Labour is covered by this warranty for a period of 12 months from the date of purchase or installation, within a 25 km (15 miles) radius of an authorised Waterco Service Agent.

The purchaser is responsible for any freight incurred.

This warranty is valid and enforceable only in the country where the Waterco product was purchased by the original purchaser, provided that Waterco has intended that the Product be offered for sale in that country. Depending on the country, particular and variable warranties may apply in relation to applicable legislation or term of sales by the original purchaser.

WARRANTY PERIOD

All products sold by Waterco are covered by a one year warranty. The exceptions to this are the products listed in the schedule (which also specifies relevant warranty periods). All warranty periods commence on the date of purchase by the end user.

The provisions of this warranty are not transferable and are in addition to and not in modification of or subtraction from any applicable statutory warranties, rights or remedies.

CONDITIONS OF WARRANTY

This warranty only applies where:

1. The products requiring installation have been sold with installation included and have been installed by a licenced plumber, electrician or person who has completed an accredited course in swimming pool care and maintenance appropriate to the region or a person with more than 12 months on the job learning or a person supervised by one of these people, in accordance with any written installation instructions provided.

2. The products have been operated in accordance with written instructions supplied by Waterco;
3. The purchaser is able to provide proof of purchase that specifies the date of purchase;
4. The product has been serviced or maintained regularly.
5. Any pump using an electric motor has:
 - Been adequately ventilated to avoid over heating;
 - Not been run on an electrical extension cord; and
 - Been installed in an area that is free from flooding or excessive outside contact with water;
6. Any pump has not been allowed to run dry (as this causes excessive damage to both the pump and motor);
7. Any pool and spa equipment has been used in water:
 - a. With a temperature not exceeding 40 degrees Celsius (104 degrees Fahrenheit);

Note: Pumps domestic & commercial should not exceed 35 degrees Celsius (95 degrees Fahrenheit), excluding Portapac and Delta Hot pumps.
 - b. With a pH range maintained between 7.2 - 7.6;
 - c. That has been chemically balanced in accordance with the Langelier saturation index within a range of -0.2 to +0.2 to ensure that it is not corrosive or scale forming;
 - d. That is not salt water (other than mild saline water conditions which are compatible with swimming pool salt water chlorination systems) - unless otherwise stated by Waterco in both the respective product labels and brochures that it is suitable for seawater applications; and
 - e. That has been regularly treated with a sanitising system using bromine, chlorine, hydrogen peroxide in one of its compound forms, or generated in-situ, in concentrations (doses) recommended by the relative state or territory health departments. (In areas outside of Australia please refer to the local health department recommendations before use);
8. Pressure gauges have not been exposed to frosting and freezing conditions and due care has been exercised when attaching them to any Waterco products;
9. Electrical equipment has been adequately protected from salt air environments and from salt water; and

Warranty Terms & Conditions

10. Any pump used on a filter does not have a shut-off head that exceeds the pressure rating of the filter installed.

All repairs and replacements shall be carried out by Waterco or its authorised service dealer, unless otherwise authorised in writing by Waterco.

If an authorised service dealer is not available within 25 km (15 miles) of the purchaser's area:

- The purchaser must contact the place of purchase or Waterco for further instructions and;
- The purchaser is responsible for any freight or infield labour costs.

EXCLUSIONS

This warranty does not cover, and Waterco will not be responsible for, any defect or damage caused or contributed to by:

- (a) installation or use of the product other than in accordance with Waterco's written instructions, any statutory requirements and these terms and conditions;
- (b) use of the product for a purpose other than for which it was designed or sold;
- (c) abuse, misuse, corrosion, internal and external, or normal wear and tear;
- (d) any repairs or modifications whatsoever carried out by any person, other than a Waterco authorised service dealer;
- (e) exposure to water not caused by a defect in the product; and
- (f) transit of the product over which Waterco has no control.
- (g) inadequate ventilation
- (h) cement, pebbles, render or other pool surface finishes blocking the pump's impeller
- (i) insect and/or vermin infestation

Some three phase pumps are not supplied with thermal overload protection. It is the purchaser's responsibility to have this provision installed by appropriately licensed electricians prior to the initial installation of the pump. All electrical work must comply with any appropriate statutory requirements. Warranty for installation of thermal overload protection is the sole responsibility of the licensed electrical contractor and not Waterco.

LIMITATIONS OF LIABILITY

To the extent permitted by law Waterco excludes all liability it may have to the purchaser for indirect, special or consequential loss arising from or related to any defect in any Waterco product, or any act or omission of Waterco, including, but not limited to, loss of business, loss of profit, loss of revenue, lost opportunity, inconvenience, and damage to any property other than the Waterco product.

To the extent permitted by law, Waterco excludes all other conditions, guarantees, liabilities or representations that are not expressly set out in this agreement. These terms and conditions do not attempt to exclude, restrict or modify any applicable statutory rights, or any exercise of any statutory rights, or any liability imposed on Waterco by any law (including the Competition and Consumer Act 2010), if to do so would contravene that law or make any part of these terms and conditions void.

To the extent permitted by law, Waterco excludes all conditions and warranties implied into these terms and conditions and limits its liability for breach of any such condition or warranty that it cannot exclude to the greater of (at Waterco's option);

(a) for goods:

- Repairing or replacing those goods; or
- Paying the cost of having those goods repaired or replaced; and

(b) for services:

- Resupplying the services; or
- Paying the cost of having those services resupplied.

TEST YOUR WATER REGULARLY

The chemical balance of the water is a relationship between total alkalinity, pH, Calcium hardness and temperature. Waterco recommends that you have your water tested regularly (once a month) by your local pool professional. A record of testing should always be kept for reference.

Some jurisdictions do not allow the exclusion or limitation of incidental or consequential damages, so any such limitation may not apply.

This warranty gives specific legal rights. The purchaser may have other rights depending on the jurisdiction in which the Waterco product was purchased or the purchaser is located.

Warranty Terms & Conditions

SCHEDULE OF PARTS WARRANTY PERIODS

All products not listed in below table are covered by a one year warranty.

Please note: Labour is covered by this warranty for a period of 12 months from the date of purchase or installation, within a 25 km radius of an authorized Waterco Service Agent.

Product Range	Domestic Application	Commercial Application
FILTERS		
All Fibreglass Filter Tank & Exotuf	10 years	5+5 year
*Except		
• W250/W300	5+5 years	2 year
• All other W & WD Series	5 years	2+3 years
• Multiport Valve, Internal Fittings, Gauges	1 year	1 year
Thermoplastic (Model T)	5+5 years	1+4 years
Cartridge & Bag Filter Tank Body (TBF & TCF)	5+5 years	1 year
Commandomatic TCF Filter Tank Body	2+3 years	2 years
*All other parts	1 year	1 year
MultiCyclone	3 years	1 year
DE Filter	3+2 years	2 years
Aquabiome (ASM) Body	5 years	1 year
* Aquabiome Blower	1 year	1 year
Aquaflour & Stoneware purifier	1 year	1 year
Finsbury Undersink/Countertop (excluding filter cartridge)	3 years	3 years
*All Multiport Valve, Fittings & Gauges	1 year	1 year
PUMPS		
Pump - Wet End	3 years	1 year
Except for Hydrostar MK4 and Hydrostar Plus	3 years	2 years
Pump - Dry End	2 years	1 year
Fulflo Pressure Pump	2 years	1 year
Delta & Portapac Pump	2 years	1 year
HEATING		
Digiheat	2 years	1 year
Gas Heater	2 years	1 year
Electroheat Series		
• Compressor	3 years	1 year
• Titanium Heat Exchanger	10 years	1 year
• All other components	2 years	1 year
SolarMate		
• Tank & Panel	10 years	10 years
• Back-up Heater, Thermostat, Valves	1 year	1 year
SANITISATION		
Hydrochlor & Electrochlor series	3 years	1 year
UV Sterilizer (Solclear)	1 year	1 year
Chemflo Plus, except:	3 years	1 year
• Sensor	1 year	1 year
Hydroxypure system, except:	2 years	1 year
• pH & ORP Sensor	18 months	1 year

Warranty Terms & Conditions

Product Range	Domestic Application	Commercial Application
ROBOTIC CLEANERS		
Admiral	2 years	1 year
Trident Eco & Hydro - Motor Unit, Cable, Power Supply	2 years	1 year
• Other parts	1 year	1 year
Trident Aqua	2 years	1 year
• Filter Canister	1 year	1 year
Trident Plus	3 years	1 year
Commercial Blue Line	2 years	2 years
OTHERS		
Aquamaster	2 years	1 year
Underwater Light (Halogen)	2 years	1 year
Britestream LED Pool Light	2 years	2 years
Litestream LED Pool Light	1 year	1 year
Pool Light Transformer	1 year	1 year
Pool Accessories & Fittings	1 year	1 year

Measurement

Filters						
Description	Per Ctn	L	W	H	WT	
Exotuf E400	1	480	480	580	8.50	
Exotuf E450	1	520	520	630	9.40	
Exotuf E500	1	560	560	605	12.20	
Exotuf E600	1	650	650	685	15.60	
Exotuf E500+	1	560	560	800	12.50	
Exotuf E600+	1	650	650	840	15.00	
Exotuf E602+	1	650	650	840	15.00	
Exotuf E702+	1	680	680	950	17.50	
TBF C50 Leaf Trapper	1	410	410	650	9.00	
TBF C50	1	360	320	750	8.30	
TBF C75	1	360	320	1010	10.33	
TCF C50	1	310	350	750	10.20	
TCF C75	1	350	320	1010	14.30	
TCF C25	1	340	340	450	7.00	
TCF CC50	1	310	350	640	8.60	
TCF CC75	1	350	330	687	10.80	
TCF CC100	1	355	335	950	12.40	
Top Load 50 sq.ft	1	230	230	490	3.40	
Top Load 75 sq.ft	1	230	220	760	4.70	
TRI Cartridge C300	1	1240	500	510	26.00	
TRI Cartridge C400	1	1240	500	510	29.00	
TRI Cartridge C500	1	1240	500	510	32.00	
Fulflo DE P2027	1	500	500	860	18.00	
Fulflo DE P2036	1	500	500	1050	20.00	
Fulflo DE P2048	1	500	500	1260	23.60	
Opal 135	1	390	390	660	14.20	
Opal 180	1	390	390	660	16.20	
Opal 225	1	490	395	750	27.00	
Opal 270	1	490	395	880	31.00	
Micron S500	1	530	530	640	11.00	
Micron S600	1	640	640	750	16.50	
Micron S602	1	640	640	790	18.50	
Micron S700	1	730	730	775	19.50	
Micron S702	1	730	730	800	20.00	
Micron S750	1	790	790	955	24.00	
Micron S800	1	820	820	900	27.00	
Micron S900	1	935	935	960	37.50	
Micron S1000	1	1040	1040	1060	42.50	
Micron S1050	1	1160	1160	1210	54.80	
Micron S1200 (65/80mm)	1	1250	1250	1443	64.00	

Measurement

Filters						
Description	Per Ctn	L	W	H	WT	
Micron SM500	1	550	550	860	23.00	
Micron SM600	1	660	660	860	27.50	
Micron SM700	1	770	770	860	28.00	
Micron SM750	1	800	800	900	37.85	
Micron SM900	1	980	980	1060	43.00	
Micron SM1050 (65/80mm)	1	1090	1090	1210	150.00	
Micron SM1200 (65/80mm)	1	1230	1230	1400	160.00	
Micron SM1400	1	1450	1450	1700	250.00	
Micron SM1600	1	1670	1670	2000	300.00	
Micron Deep Bed SD400 Filter	1	430	430	950	15.00	
Micron Deep Bed SD500 Filter	1	520	520	950	17.34	
Micron Deep Bed SD600 Filter	1	630	630	936	21.92	
Micron Deep Bed SD750 Filter only	1	785	785	940	30.00	
Micron Deep Bed SD900 Filter only	1	925	925	1010	50.00	
Micron SMD750	1	790	790	1680	58.00	
Micron SMD900	1	950	950	1850	155.00	
Micron SMD1050 (65/80mm)	1	1130	1130	1860	162.00	
Micron SMD1200 (80/100mm)	1	1250	1250	1870	175.00	
Micron SMD1400 (80/100mm)	1	1460	1460	1890	270.00	
Micron SMD1600 (80/100mm)	1	1660	1660	1920	330.00	
Micron SMD1800 (100/150mm)	1	1850	1850	1950	429.00	
Micron SMD2000	1	2060	2060	2000	500.00	
Micron SMDD750	1	790	790	2030	66.00	
Micron SMDD900	1	950	950	2150	172.00	
Micron SMDD1050 (65/80mm)	1	1130	1130	2200	181.00	
Micron SMDD1200 (80/100mm)	1	1250	1250	2180	223.00	
Micron SMDD1400 (80/100mm)	1	1460	1460	2250	275.00	
Micron SMDD1600 (80/100mm)	1	1660	1660	2220	352.00	
Micron SMDD1800 (100/150mm)	1	1850	1850	2190	377.00	
Micron SMDD2000 (100/150mm)	1	2060	2060	2330	590.00	
Micron SMDD2200	1	2260	2260	2350	800.00	
Micron SMDD2350	1	2400	2400	2350	916.00	
Micron SMDD2500	1	2590	2590	2430	1,033.00	
Micron SMDD3000	1	3060	3060	2790		
Micron SMDDT1200	1	1550	1550	2260		
Micron SMDDT1400	1	1750	1750	2350		
Micron SMDDT1600	1	1960	1960	2300		
Micron SMDDT1800	1	2130	2130	2380		

Measurement

FILTERS						
Description	Per Ctn	L	W	H	WT	
Micron SPDD1050 (65/80mm)	1	1090	1090	2200	199.00	
Micron SPDD1200 (65/80/100mm)	1	1250	1250	2170	245.00	
Micron SPDD1400 (80/100mm)	1	1460	1460	2250	303.00	
Micron SPDD1600	1	1660	1660	2220	387.00	
Micron SPDD1800 (100/150mm)	1	1850	1850	2190	415.00	
Micron SPDD2000	1	2060	2060	2340	649.00	
Micron SPDD2200	1					
Micron SPDD2350	1	2410	2410	2350	1,008.00	
Micron SPDD2500	1					
Micron SPDD3000	1					
Micron M2500	1	2350	2350	1640	170.00	
Micron M3750	1	3340	3340	1640	270.00	
Micron M5000	1	4320	4320	1640	879.00	
Micron MD5500	1	3350	3350	2280	590.00	
Micron MD6500	1	3910	3910	2280	1,110.00	
Micron MD8000	1	4660	4660	2280	1,450.00	
Micron MD10000	1	5670	5670	2280	2,110.00	
MultiCyclone 70XL	1	1100	1200	1520	85.00	
MultiCyclone 12	1	285	285	510	7.40	
MultiCyclone 16	1	300	330	550	7.40	
MultiCyclone 12 + C40 Cartridge	1	350	300	750	12.00	
MultiCyclone 16 + C40 Cartridge	1	350	300	750	12.00	
MultiCyclone 12 ULTRA C75 Cartridge	1	350	300	905	15.00	
MultiCyclone 16 ULTRA C75 Cartridge	1	350	300	905	15.00	
MultiCyclone Stand MKII (for PLUS & ULTRA)	1	400	400	305	3.00	
MultiCyclone Stand over pump	1	450	360	820	4.50	
Aquabiome SM400	1	870	590	940	30.00	
Aquabiome SM500	1	880	580	940	36.00	
Aquabiome	1	710	1010	990	47.00	
Aquabiome	1	890	1390	1060	70.00	
Aquabiome SM900	1	940	1340	1130	85.00	
Micron W250 Filter	1	330	330	1160	14.00	
Micron W300MKII Filter	1	380	370	1170	15.00	
Micron W350 Filter	1	390	390	1110	15.50	
Micron W400 Filter	1	440	440	1100	18.00	
Micron W500 Filter	1	530	530	1110	20.50	
Micron W600 Filter	1	660	660	1060	33.50	
Micron W700 Filter	1	730	730	1080	39.60	
Micron WD300 Filter	1	340	360	1710	24.80	
Micron WD350 Filter	1	390	390	1700	22.00	
Micron WD400 Filter	1	420	420	1680	26.00	
Micron WD500 Filter	1	520	520	1670	32.50	
Micron WD600 Filter	1	620	620	1670	49.00	
Micron WD700 Filter	1	720	720	1735	50.60	
Micron WD900 Filter	1	920	920	1760	56.50	

Measurement

PUMP						
	Description	Per Ctn	L	W	H	WT
Hydrostorm PLUS	100	1	770	300	420	21.00
	150	1	770	300	420	21.50
	200	1	770	300	420	22.00
	250	1	770	300	420	23.60
	300 (Single/3 Phase)	1	770	300	420	26.00
Hydrostorm	100	1	750	250	370	16.50
	150	1	750	250	370	17.00
	200	1	750	250	370	19.00
	250	1	750	250	370	20.50
	300 (Single/3 Phase)	1	750	250	370	22.00
Supatuf	100	1	770	270	380	15.00
	150	1	770	270	380	18.50
	200	1	770	270	380	19.50
	250	1	770	270	380	22.00
	300	1	770	270	380	26.00
Supastream	050	1	680	250	390	10.00
	075	1	680	250	390	11.00
	100	1	680	250	390	14.00
	150	1	680	250	390	15.00
Hydrotuf	100	1	800	305	420	12.00
	150	1	800	305	420	14.00
	200	1	800	305	420	16.00
	300 *for export only	1	800	305	420	18.00
Aquamite	050	1	600	390	250	11.00
	075	1	600	390	250	13.00
	100	1	600	390	250	15.00
TurboFlo	100	1	520	280	380	10.00
	150	1	520	280	380	12.00
	200	1	520	280	380	15.00
	250	1	520	280	380	17.00
	300 (single/3 phase)	1	520	280	380	19.50
	400	1	520	280	380	22.00
Hydrostorm ECO	100	1	750	250	370	11.80
	150	1	750	250	370	13.00
Aquastream MKII Solar	050	1	470	260	290	8.50
	075	1	470	260	290	9.00
	100	1	470	260	290	9.50
	150	1	470	260	290	15.00
Hydrostar	200 *for export only	1	850	330	450	24.50
	300 *for export only	1	850	330	450	27.00
	400	1	920	380	480	36.00
	550	1	920	380	480	38.00
	700	1	920	380	480	42.50
Hydrostar PLUS	5.5KW	1	1270	535	580	74.00
	7.5KW	1	1270	535	580	76.00
	9.5KW	1	1270	535	580	92.00
	11KW	1	1270	535	580	93.00
P/PROP Strainer		1	560	440	540	15.00

Measurement

WATERCO MEDIA						
Description	Per Ctn	L	W	H	WT	
Waterco ZeoPlus (0.6 - 1.2mm)	25kg	420	320	210	25.63	
Waterco ZeoPlus (0.3 - 1.2mm)	25kg	420	320	210	25.63	
Zeoplus 25kg/42 bags per skid pallet		1200	1200	800	1,065.00	
Glass Pearls 0.6-0.8mm	20kg	420	320	210	22.00	
Glass Bead 20kgs/52 bags per skid pallet		1200	1200	800	1,050.00	
EcoPure Glass Media 0.6mm - 1.2mm	20kg	770	300	420	23.60	
Aquabiome media	20kg	770	300	420	26.00	

MPV							
Code	Description	Filters	Per Ctn	L	W	H	WT
2280422	MPV TM 40mm 6" Clamp Type	Exotuf E400 & E450	1	260	230	340	2.80
22804456	MPV TM 40mm 6" Clamp Type	Exotuf E500 & E600	1	240	230	375	2.80
228042	MPV TM 40mm C/W B/U	S500, S600, S700	1	260	230	340	2.80
22804416	MPV TM 40mm C/W B/U	S500, S600, S700 - 4bar	1	240	230	380	3.00
228053	MPV TM 50mm C/W B/U	S602, S702, S750, S800, S900, S1000	1	310	300	400	5.00
2280600	MPV TM 65mm C/W B/U	S1050 & S1200	1	350	350	480	10.00
228800	MPV TM 80mm C/W B/U	S1200	1	445	445	600	12.50
2290421	MPV SM 40mm C/W B/U	SM500, SM600, SM700	1	240	230	270	2.40
2290512	MPV SM 50mm C/W B/U	SM750, SM900, SMD750, SMD900, SMDD750, SMDD900	1	260	240	350	4.00
22905010	MPV SM 65mm C/W B/U	SM1050, SM1200, SMD900, SMD1050, SMD1200, SMDD900, SMDD1050, SMDD1200	1	345	300	430	8.00
2290820	MPV SM 80mm C/W B/U	SM1050, SM1200, SM1400, SM1600, SMD900, SMD1050, SMD1200, SMD1400, SMD1600, SMDD900, SMDD1050, SMDD1200, SMDD1400, SMDD1600	1	500	355	785	11.00
2291005	MPV SM 100mm C/W B/U	SMD1200, SMD1400, SMD1600, SMD1800, SMD2000, SMDD1200, SMDD1400, SMDD1600, SMDD1800, SMDD2000	1	790	490	820	25.00

Measurement

DIGIHEAT / HEATPUMP						
Code	Description	Per Ctn	L	W	H	WT
281024	Digiheat 3.6kW Inline Heater	1	650	490	190	5.20
281036	Digiheat 3.6kW Inline Heater	1	650	490	190	5.20
281048	Digiheat 4.8kW Inline Heater	1	650	490	190	5.20
281060	Digiheat 6kW Inline Heater	1	650	490	190	5.20
281183	Digiheat 18kW Inline Heater	1	920	710	190	5.20
281243	Digiheat 24kW Inline Heater	1	670	490	200	5.50
278163	Electroheat Pump 16 MKIII	1	750	850	1000	84.00
2782533	Electroheat Pump 25 MKIII	1	750	850	1000	84.00
2783133	Electroheat Pump 31 MKIII	1	890	880	1130	87.00
2783733	Electroheat Pump 37 MKIII	1	890	880	1130	89.00
2784433	Electroheat Pump 44 MKIII	1	890	880	1130	93.00
278095	Electroheat RECT MKIV - 9kW	1	1270	360	720	51.00
278123	Electroheat RECT MKIV - 12kW	1	1270	360	720	55.00
278152	Electroheat RECT MKIV - 15kW	1	1270	360	720	55.00
278192	Electroheat RECT MKIV - 19kW	1	1270	360	720	79.00
278232	Electroheat RECT MKIV - 23kW	1	1270	360	720	79.00
27883803	Electroheat PRO XLR Titanium 100kW	1	1730	1090	1120	550.00

Measurement

UNDERWATER LIGHT						
Code	Description	Per Ctn	L	W	H	WT
263420	Litestream Led Warm White 4m	3	420	330	290	5.90
264343	U/W Light Led White 4m 26W MKV	1	270	150	270	1.40
264344	U/W Light Led White 20m 26W MKV	1	270	150	270	2.00
264340	U/W Light Led White Repl 26W MKV	1	270	150	270	1.10
2643400	U/W Light Led White 15W Repl MKV	1	270	150	270	1.10
2643430	U/W Light Led Warm White 4m 26W MKV	1	270	150	270	1.40
2643431	U/W Light Led Warm White Repl 26W MKV	1	270	150	270	1.10
264347	U/W Light Led RGB 4m 15W MKV	1	270	150	270	1.40
264346	U/W Light Led RGB 20m 15W MKV	1	270	150	270	2.00
264342	U/W Light Led RGB Repl 15W MKV	1	270	150	270	1.10
264431	B/S Niche Led White 4m 26W MKV	1	240	140	220	0.95
264432	B/S Niche Led White 12m 26W MKV	1	240	140	220	1.20
264433	B/S Niche Led White 20m 26W MKV	1	240	140	220	1.65
264430	B/S Niche Led White Repl 26W MKV	1	240	140	220	0.60
2644300	B/S Niche Led White 15W REPL MKV	1	240	140	220	0.60
2644310	B/S Niche Led Warm White 4m 26W MKV	1	240	140	220	0.95
2644311	B/S Niche Led Warm White 15W Repl MKV	1	240	140	220	0.60
2644313	B/S Niche Led Warm White 4m 15W MKV	1	240	140	220	0.95
264440	B/S Niche Led RGB 12m 15W MKV	1	240	140	220	1.20
264441	B/S Niche Led RGB 20m 15W MKV	1	240	140	220	1.65
264438	B/S Niche Led RGB Repl 15W MKV	1	240	140	220	0.60
264624	B/S 165 F/G Slim Niche Led White 20m 26W MKV	1	200	200	270	1.82
264620	B/S 165 F/G Slim Niche Led White Repl 26W MKV	1	200	200	270	1.50
264626	B/S 165 F/G Slim Niche Led RGB 20m 15W MKV	1	200	200	270	1.82
264622	B/S 165 F/G Slim Niche Led RGB Repl 15W MKV	1	200	200	270	1.50
264628	B/S 165 Concrete Slim Niche Led White 20m 26W MKV	1	200	200	270	1.82
264620	B/S 165 Concrete Slim Niche Led White Repl 26W MKV	1	200	200	270	1.50
264630	B/S 165 Concrete Slim Niche Led RGB 20m 26W MKV	1	200	200	270	1.82
264701	B/STREAM 90 FG Slim Niche Led White 20m	1	280	150	150	1.37
264702	B/STREAM 90 FG Slim Niche Led White Repl	1	280	150	150	1.05
264705	B/STREAM 90 FG Slim Niche Led RGB 20m	1	280	150	150	1.37
264706	B/STREAM 90 FG Slim Niche Led RGB Repl	1	280	150	150	1.05
264710	B/STREAM Niche Slim 90 White Led 20m	1	280	150	150	1.37
264714	B/STREAM Niche Slim 90 RGB Led 20m	1	280	150	150	1.37
264421	Wet Niche Assembly Black	1	230	200	160	0.40
264423	Wet Niche Shallow ASS'Y Black 105mm	1	230	200	160	0.40
265051	UWL Transformer 12V/100W 1:1	1	180	130	130	3.52
265060	Transformer 12V 18VA OPS1319	1	180	130	130	3.52
265012	Transformer 12V 60VA 240V (2 Lights)	1	180	130	130	3.52
265063	Multiconnect Led Pool Light Transformer 18VA	1	207	128	290	4.50
65011092	Niche Spa & Pool Lights 90 & 165	15	420	320	420	4.00

Measurement

ACCESSORIES						
Code	Description	Per Ctn	L	W	H	WT
29319	Auto Water Leveller	1	330	330	290	2.20
900302W	Flush Deck Grating 301mm	256	420	320	420	20.40
900303W	Flush Deck Grating 250mm	288	420	320	420	24.00
29300 293000	Main Drain Complete Set	1	240	240	300	1.00
29300 293000	Main Drain Complete Set	4	420	320	420	4.60
29303 293033	Main Drain Cover And Dress Ring	12	270	250	250	4.20
29101	Eyeball 40mm	300	420	320	420	10.40
29150	Eyeball 50mm	150	550	430	300	9.60
291701	Floor Inlet	45	420	320	420	11.60
45365	Venturi Tee	40	420	320	420	11.10
453496	Suction Fitting 40mm	45	420	320	420	8.25
453497	Suction Fitting 50mm	45	420	320	420	8.25
45541	Swimjet US	1	170	130	110	0.46
455423	Swimjets Straight Body Concrete	1	150	150	170	0.64
45242-HBG	Air Bleed Valve	330	420	320	420	21.80
132312	FlowVis - Flow Meter Model FV-C-L	3	230	250	310	2.70
14641	Check Valve 40/50mm	20	550	340	240	13.00
14651	Check Valve 50/65mm	20	550	340	240	13.00
25500	Waterking Tablet Chlorinator	1	170	230	280	2.50
		4	500	430	300	10.50
256000	Floating Tablet Dispenser MK2 WCO	5	360	720	360	3.55
258100	Chemflo Plus System	1	490	360	190	7.00
S75	624051 Skimmer S75 MK2 Concrete only	1	330	460	530	6.00
	6241800 Lid & RD Dress Ring	1	320	320	50	0.74
ASM002	624012 Skimmer SP5000 only	1	400	320	480	4.28
	6241085 Lid & Dress Ring SP5000 Sand Stone HBG	1	290	290	50	0.61
29201	624060 Supaskimmer Slip/Slip Bottom Port AUST	1	340	510	600	6.71
	6241800 Lid & RD Dress Ring	1	320	320	50	0.74
29210	624062 Skimmer Widemouth Concrete only	1	690	580	600	7.14
	6241800 Lid & RD Dress Ring	1	320	320	50	0.74
62411	Skimmer Deck Lid ASY SK104/5	15	420	320	420	7.26
62410	Skimmer Dress Ring ASY SK107	20	420	320	420	3.71
62408	Skimmer Vac Plate Woring SK106	20	415	315	418	9.70
624171S	Supaskimmer/S75 Deck Lid Twist Lock S/ST	12	420	320	420	6.60
624191S	Supaskimmer/S75 Dress Ring RD T/Lock S/S	10	420	320	420	4.44
624032	Skimmer Leaf Basket Whandle MKII Waterco	14	420	320	420	4.44
2514036S	Electrochlor 25A SC MKII-Self Clean	1	440	440	260	11.00
2514037S	Electrochlor 30A SC MKII-Self Clean	1	440	440	260	11.00
2512638	Electrochlor LCD 20A S/Cleaning W/Cell	1	480	390	150	9.62
2512636	Electrochlor LCD 25A S/Cleaning W/Cell	1	480	390	150	11.34
2514034	Electrochlor LCD 30A S/Cleaning W/Cell	1	480	390	150	13.20

Measurement

ACCESSORIES							
Code		Description	Per Ctn	L	W	H	WT
2514021		Hydrochlor TS 20A SC	1	480	390	150	9.73
2514026		Hydrochlor TS 20A SC	1	480	390	150	10.73
2514031		Hydrochlor TS 20A SC	1	480	390	150	11.73
E/Chlor 4000	6449740	Plates & Housing E/Chlor 4000	1	480	200	130	3.00
	6450136	Electrochlor Mineral ECO Pro Power Pack	1	400	390	210	5.63
E/Chlor 5000	6449750	Plates & Housing E/Chlor 5000	1	480	200	130	2.89
	6450136	Electrochlor Mineral ECO Pro Power Pack	1	400	390	210	5.63
H/Chlor2000	6449720	Plates & Housing Hydrochlor 2000	1	400	200	130	2.12
	6450130	Hydrochlor MK3 Power Pack	1	450	220	160	4.23
H/Chlor2500	6449725	Plates & Housing Hydrochlor 2500	1	400	200	130	2.15
	6450130	Hydrochlor MK3 Power Pack	1	450	220	160	4.23
H/Chlor3000	6449730	Plates & Housing Hydrochlor 3000	1	400	200	130	2.18
	6450130	Hydrochlor MK3 Power Pack	1	450	220	160	4.23
	6450135	Electrochlor Mineral ECO Power Pack	1	400	390	210	4.95
282400		Spa Blower Airflo 1000W	1	380	230	240	4.50
282401		Spa Blower Whisperair 1000W	1	330	320	230	5.60
282402		Blower Whisperair Inline	1	365	210	240	5.00
282410		Blower Airflo Europe	1	365	210	240	5.00
282421		Whisperair Blower C/W Switch	1	300	215	230	5.20
W22996		SS304 3 Steps Ladder	1	1620	670	60	10.24
W22997		SS304 4 Steps Ladder	1	1860	670	60	12.17
W22998		SS316 3 Steps Ladder	1	1620	670	60	10.24
W22999		SS316 4 Steps Ladder	1	1860	670	60	12.17
37784045		Solclear 45 UV Steriliser 29 Watt	1	660	220	120	3.60
37784090		Solclear 90 UV Steriliser 40 Watt	1	1100	560	240	6.80
37784100		Solclear 100 UV Steriliser 16 Watt	1	1080	220	120	3.60
37784150		Solclear 150 UV Steriliser 40 Watt	1	1130	460	220	7.50

Measurement

CARTRIDGE ELEMENT						
Code	Description	Per Ctn	L	W	H	WT
620421	T/L Cart Element C50 1m	6	560	400	530	13.40
62031	T/L Cart Element C25 5m	12	570	380	520	11.50
62041	T/L Cart Element C50 5m	6	570	380	530	9.00
62043	T/L Cart Element C75 5m	4	570	380	770	12.60
620311	T/L Cart Element C25 10m	4	390	400	530	3.50
620411	T/L Cart Element C50 10m	4	390	400	530	6.00
620431	T/L Cart Element C75 10m	4	390	400	530	9.20
6204020	T/L Cart Element C25 20m	12	560	390	530	10.60
6204220	T/L Cart Element C50 20m	6	560	380	530	9.60
6204420	T/L Cart Element C75 20 Micron	4	560	380	530	11.00
62040	T/L Cart Element C25 30m	12	560	380	510	11.05
62042	T/L Cart Element C50 30m	4	390	400	530	5.50
62044	T/L Cart Element C75 30m	6	560	380	760	13.40
62048	T/L Cart Element CC50 30m	12	560	380	760	16.00
62049	T/L Cart Element CC75 30m	6	560	380	760	10.81
62050	T/L Cart Element CC100 30m	6	560	380	760	14.75

ROBOTIC						
Code	Description	Per Ctn	L	W	H	WT
326376	Trident Plus (WB) MKII Robotic Pool Cleaner	1	600	500	500	7.00
326394	Trident ECO Robotic Cleaner	1	600	500	500	12.00
323687	Robotic Cleaner VX55 4WD with Swivel	1	560	560	470	20.30
323019	Trident Aqua W30 W/PVA Brush	1	560	365	380	10.35
326395	Trident Hydro Robotic Cleaner	1	570	450	330	12.26
326354	Pro X WB Robotic Commercial Pool Cleaner	1	600	500	500	15.00
326356	Robotic Commercial Cleaner 2X2 WB	1	900	500	450	25.00

POOL CLEANER ACCESSORIES						
Code	Description	Per Ctn	L	W	H	WT
313052	All Brush Vac Head AUS Handle	12	720	350	300	14.92
31312	Flexible Vacuum Head AUS Handle	12	740	320	280	19.13
313231	Leaf Rake with AUS Handle	12	540	500	390	6.20
31327	Pool Broom with AUS Handle	12	530	500	180	4.50
31328	Pool Broom Deluxe with AUS Handle	12	530	500	180	4.40
31307	Algae Brush with Aus Handle	12	450	340	180	3.90
31380	Telescopic Handle 4' - 8'	12	1353	200	110	9.20
31385	Telescopic Handle 8' - 16'	12	2705	200	110	18.60
31009	Vac Hose Premium 38mm X 9m	1	570	595	230	4.00
31011	Vac Hose Premium 38mm X 11m	1	570	595	230	4.00
31013	Vac Hose Premium 38mm X 13m	1	570	595	230	4.50
31015	Vac Hose Premium 38mm X 15m	1	570	595	230	5.00
31405	Test Kit 2 in 1 DPD	100	420	320	420	14.50
31410	Test Kit 4 in 1 DPD	12	380	360	230	5.80

Waterco Limited Established since 1981, Waterco is an Australian publicly listed company involved in the manufacture and distribution of swimming pool and spa equipment and chemicals, domestic water filters, softeners and purifiers, and commercial and industrial water treatment equipment.

Waterco's research and development team has created an innovative range of award-winning products. The company's advanced fibreglass winding and pioneering plastic moulding techniques have delivered premium quality products to over 40 countries via its branches operating in Australia, New Zealand, Malaysia, China, the United Kingdom, United States of America, Canada, Indonesia and Singapore.

OFFICES - AUSTRALIA

NSW - SYDNEY (HEAD OFFICE)

Tel: +61 2 9898 8600

QLD - BRISBANE

Tel: +61 7 3299 9900

VIC/TAS - MELBOURNE

Tel: +61 3 9764 1211

WA - PERTH

Tel: +61 8 9273 1900

SA/NT - ADELAIDE

Tel: +61 8 8244 6000

ACT DISTRIBUTION

Tel: +61 2 6280 6476

OFFICES - OVERSEAS

WATERCO (EUROPE) LIMITED

Sittingbourne, Kent, UK
Tel: +44 (0) 1795 521 733

WATERCO (USA) INC

Augusta, Georgia, USA
Tel: +1 706 793 7291

WATERCO CANADA

Boucherville, Quebec, Canada
Tel: +1 450 748 1421

WATERCO (NZ) LIMITED

Auckland, New Zealand
Tel: +64 9 525 7570

WATERCO (C) LIMITED

Guangzhou, China
Tel: +86 20 3222 2180

WATERCO (FAR EAST) SDN BHD

Selangor, Malaysia
Tel: +60 3 6145 6000

PT WATERCO INDONESIA

Jakarta, Indonesia
Tel: +62 21 4585 1481

WATERCO SINGAPORE INTL PTE LTD

Nehsons Building, Singapore
Tel: +65 6344 2378