



# Cleaners, Lights, Blowers & Chlorinators



# Nitro Robotic Pool Floor Cleaner



- Scrubs and vacuums entire pool floor
- Built in pool pump and filter
- Large filter bag
- Lightweight and easy to lift

## Nitro Robotic Cleaners

Independent to the pool's circulation system, Nitro Robotic Pool Cleaners is driven by electric motors within the cleaner itself. The cleaner's drive motor moves the cleaner around the pool, while the cleaner's pump motor vacuums dirt and debris into its filter bag.

Nitro Robotic Pool Cleaners operate on very little power plus they reducing pool chemical consumption and increase water conservation by reducing the need to backwash your pool filter.

- Saves energy, chemicals and backwashing
- No installation required
- Micro filters the pool water
- Operates on 23 volts DC
- Assists pool water circulation
- Suitable for vinyl liner, fiberglass, tile and concrete pools



- Wide cleaning swath for faster cleaning coverage.



- Quick-drain system for easy-lift™ removal from pool.



- Large vacuum intake ports.



- Large filter bag.

## Technical specifications

<b>Pool size</b>	6m x 12m x 2.4m deep
<b>Motors</b>	1 x drive motor + 1 x pump motor
<b>Automatic shut off</b>	2 hour
<b>Cable</b>	15m Kink resistant cable
<b>Weight</b>	3.85kg

## Electrical specifications

<b>Volts</b>	23 volts DC
<b>Watts</b>	80 watts
<b>Amps</b>	3.48 amps

## Dimensions

<b>Length</b>	400 mm
<b>Width</b>	340 mm
<b>Height</b>	240 mm

## Warranty

Nitro Robotic Pool Cleaners are covered by a 12 month warranty.

# Nitro Robotic Pool Wall Scrubber Cleaner

## Nitro Robotic Pool Cleaners

Independent to the pool's circulation system, Nitro Robotic Pool Cleaners is driven by electric motors within the cleaner itself. The cleaner's drive motor moves the cleaner around the pool, while the cleaner's pump motor vacuums dirt and debris into its filter bag.

Nitro Robotic Pool Cleaners operate on very little power plus they reducing pool chemical consumption and increase water conservation by reducing the need to backwash your pool filter.

- Saves energy, chemicals and backwashing
- No installation required
- Micro filters the pool water
- Operates on 23 volts DC
- Assists pool water circulation
- Suitable for vinyl liner, fiberglass, tile and concrete pools



- Cleans and scrubs the pool floor, walls, waterline and steps.



- Extra large filter bag.



- Quick-drain system for easy-lift™ removal from pool



- Caddy included for convenient storage and transport.

- Cleans and scrubs the pool floor, walls, waterline and steps
- Dual direct-drive motors for greater traction and pin point navigation
- Gel-Pro Brushes - Gentle Enough for Vinyl and Fiberglass Pools, Rugged Enough for Concrete Pools
- Extra large filter bag
- Lightweight and easy to lift

## Technical specifications

<b>Pool size</b>	Up to 9m x 12m x 2.6m deep
<b>Motors</b>	2 x drive motors + 1 x pump motor
<b>Automatic shut off</b>	3 hour
<b>Cable</b>	18m Kink resistant cable
<b>Weight</b>	4.5kg

## Electrical specifications

<b>Volts</b>	23 volts DC
<b>Watts</b>	120 watts
<b>Amps</b>	5.22 amps

## Dimensions

<b>Length</b>	420 mm
<b>Width</b>	420 mm
<b>Height</b>	240 mm

## Warranty

Nitro Wall Scrubber Robotic Pool Cleaner is covered by a 2 year warranty.



## THE ULTIMATE CHOICE IN POOL CLEANERS



Elite Cleaner quickly and efficiently cleans up dirt, leaves and debris from your pool.

- Easy to install and operate
- Low maintenance
- Operates on minimal suction
- Integral float and weights

### ELITE AUTOMATIC POOL CLEANER

Part Number	Product Description	Nominal Size
32540	Elite Automatic Pool Cleaner - Concrete, Fibreglass, Tiled	
50044	1M Hose	
50048	1M Hose (Pack of 10)	
50050	Weir Adaptor	
50052	45 Degree Connection	

**Swivel**  
Elite Cleaner swivels freely to increase the random coverage of your pool.

**Deflector & bumper strip:**  
Elite Cleaner's unique deflector and bumper strip enables it to maneuver around steps, corners, and other obstacles.

**Integral weights**  
Elite Cleaner has adjustable ballast weights for stability and enhanced performance.

**Durable**  
Constructed from long lasting, corrosion and UV proof materials, Elite Cleaner is suitable for fresh and salt water pools.

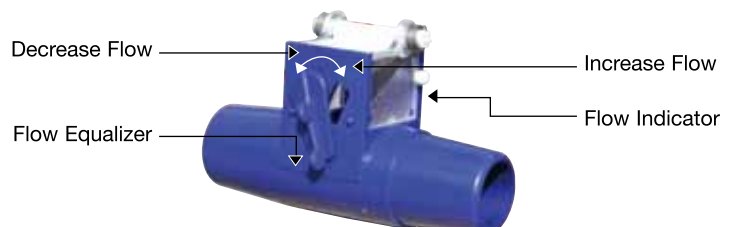
**Finned Disc**  
Elite Cleaner glides effortlessly along the bottom of your pool and up and down the pools walls.

**Flapper Valve**  
Elite Cleaner relies on only one moving part. There are no bags or compartments to empty, wheels or gears to jam, or diaphragms to replace.

**Large suction mouth**  
Elite Cleaner's large suction mouth enables it to tackle large pool debris and allows for easy maintenance.

**Invisi Hose**  
Elite Cleaner's Invisi Hose allows you to view the debris being vacuumed up, while discreetly blending into the colour of your pool.

**Elite Weir Valve**  
This compact flow control valve regulates water flow, ensuring optimum performance. This valve will clearly display the state of your filtration system. Should your filter require backwashing, this will be indicated by the position of the flow indicator.



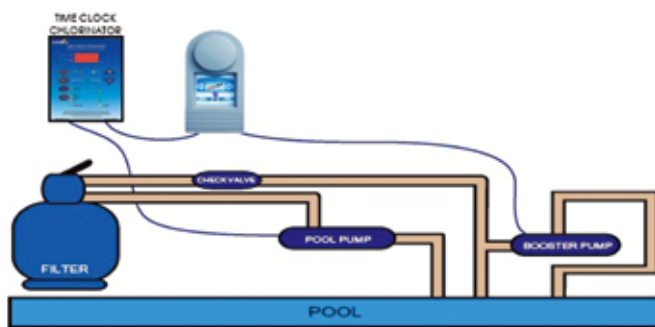
**Warranty**  
Elite Cleaner and the original hoses are covered against all manufacturing and material defects for 2 years.

# MV3

## Cleaning Booster Pump Controller

### MV3

Part Number	Product Description	Nominal Size
256670	MV3 Cleaning Booster Pump Controller	



#### Power Consumption

<b>Operating Voltage</b>	- 240 Volts AC +/- 10%
<b>Current Consumption</b>	- 0.02 Amps with pump off
<b>Power Consumption</b>	- 5 Watts with pump off

#### Environmental Conditions

<b>Operating Temperature Range</b>	- 0 - 45 Deg C
<b>Operating Humidity Range</b>	- 95% R.H. non-condensing
<b>Pump Relay</b>	- Rated to switch a 1.5 HP 240 volt motor
<b>Housing</b>	- UV Stabilised plastic
<b>Sensors</b>	- Brass housing pool sensor 1.8 metre UV stable Ascon probe wire - UV stable plastic housing roof sensor 24 metre UV stable Ascon probe wire.

\* With the continual improvement of this product ascon pool products may change without notice the colour and specifications of this product.

#### Warranty

The MV3 Cleaning Pump Controller is warranted against faulty materials and labour for 12 months from the date of original purchase.



#### Operational

- Easy to operate
  1. Plug in to your current equipment.
  2. Set the time it takes to run the cleaner over the pool.
  3. Leave it to keep your equipment in tip top condition.
- 1 - 5 hours operation mode
- 2 override on modes
- Attractive design
- Specially manufactured UV stable housing rated to IP23
- Microprocessor controlled
- Designed and manufactured in Australia

#### Installation

- Plug in and go for ease of installation
- Comes complete with mounting screws and instructions

#### Protection

- 16 minutes delay on start up to allow the filter pump to start up fully

# Skimtrol Automatic Vacuum Plate



## SKIMTROL - SKIMMING CONTROL VACUUM PLATE

Part Number	Product Description
32701	Waterco
32702	Nally / Fulflo
32703	Poolrite (Old style)
32704	Quiptron
32705	Filtrite 950
32706	Filtrite 900
32707	Clark / Swimquip
32708	Baker Hydro / Purex (Also suits Poolrite)
32709	Paramount
32710	Special 190mm
32712	Supaskimmer
32714	S75 Lock Down (round)

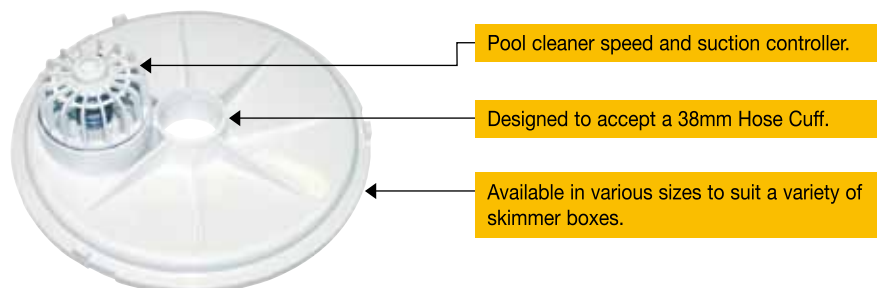
### Skimtrol Automatic Vacuum Plate

Designed to sit directly on top of the skimmer basket, the Skimtrol Automatic Vacuum Plate allows better skimming and vacuum suction control for every brand and model of suction type pool cleaner.

The Skimtrol has an inbuilt adjustable pool cleaner controller to enable the user to set the correct speed and vacuum suction of the pool cleaner as well as determining the amount of surface skimming.

To increase the speed of the pool cleaner and decrease the amount of surface skimming, turn the speed control clockwise.

To decrease the speed of the pool cleaner and increase the amount of surface skimmer, turn the speed control anti-clockwise.



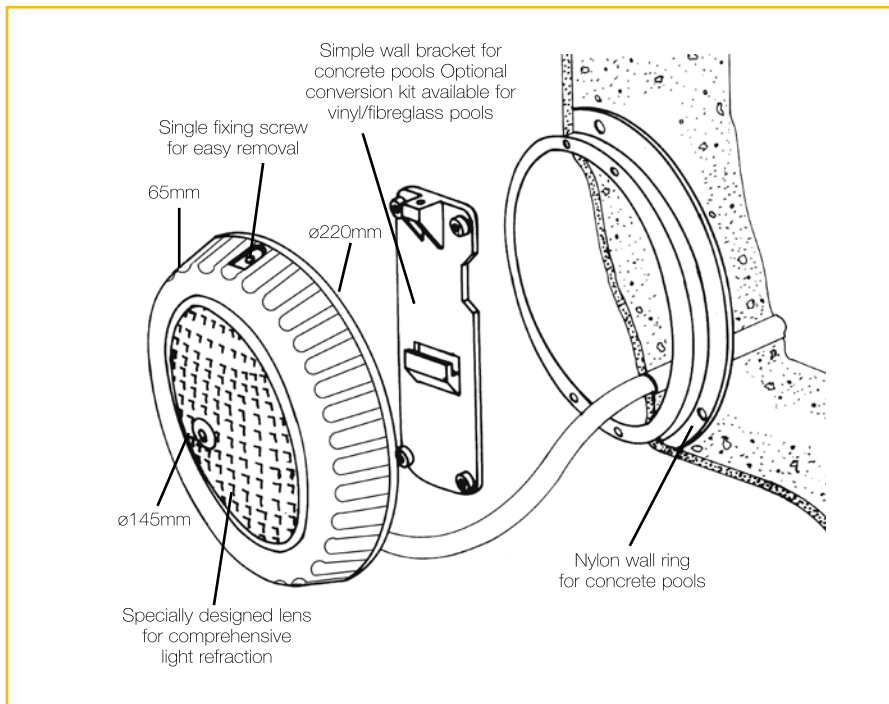
# Litestream Underwater Lights

For Water with Sheer Brilliance

**WATERCO**  
Water, the Liquid of Life

## LITESTREAM UNDERWATER LIGHTS

Part Number	Product Description	Nominal Size
263073	Litestream Underwater Light white (c/w blue lenses)	20m
263080	Litestream Underwater Light replacement kit	
26505	Transformer - 100Va 12 Volts - weather proof - hard-wired	
26503	Transformer - 120Va 12 Volts - plug in	
26601	Litestream Vinyl/Fibreglass Conversion kit	
26603	Screw-on Coloured lenses - Blue	
26605	Screw-on Coloured lenses - Red	
26606	Screw-on Coloured lenses - Green	



### Coloured Lenses

The Litestream Underwater Lights come with an additional blue screw-on lens.

Red and green lenses are also available for separate purchase.



### Related Products

26505 Transformer - 100Va 12 Volts - weather proof - hard-wired

26503 Transformer - 120Va 12 Volts - plug in

26601 Litestream Vinyl/Fibreglass Conversion Kit

26603 Screw-on Coloured lenses - Blue

26605 Screw-on Coloured lenses - Red

26606 Screw-on Coloured lenses - Green

266022 UWL Fibreglass above ground mounting kit

### Electrical Specifications

Input Voltage 12VAC

Input Power 100W



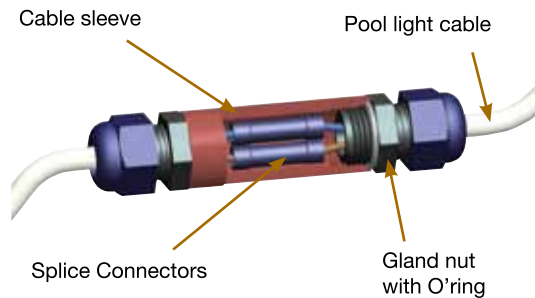
# Litestream Underwater Lights

For Water with Sheer Brilliance



### Retrofit Connector (IP68)

Simply crimp both connections with the splice connectors, slide the cable sleeve over the connection and hand tighten the gland nuts.



### Universal Pool Light Adaptor

The Universal Pool Light Adaptor is designed to adapt the Litestream to the following light fittings.

- AQ Aquaquip
- SE Spa Electric
- SW Swim World
- PR Pool Rite
- ST Stroud

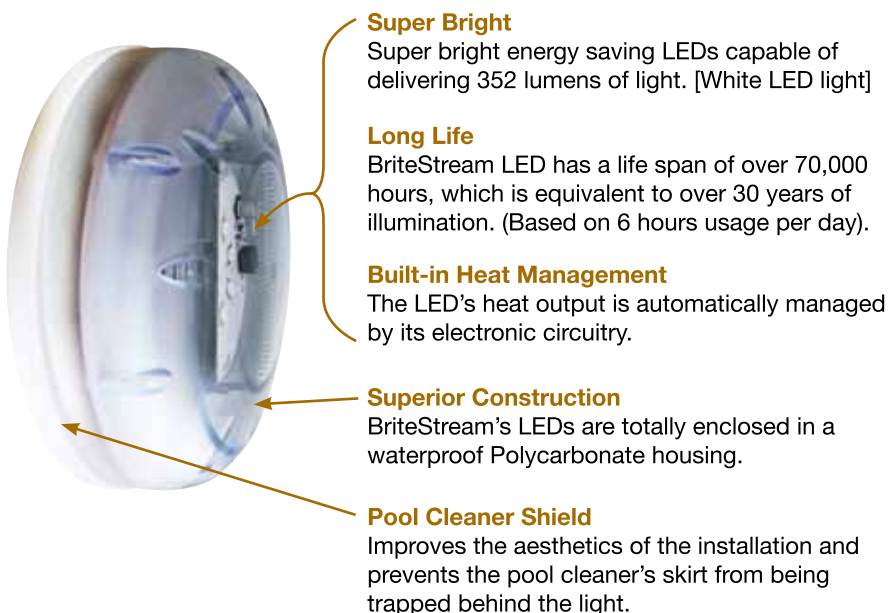


### Warranty

Litestream Underwater Lights are covered by a 12 month warranty, excluding the light globe.

## BRITESTREAM UNDERWATER LED NICHE LIGHT

Part Number	Product Description	Nominal Size
264305	BriteStream White LED Light	20m
264303	BriteStream White LED replacement kit	
264307	BriteStream Blue LED Light	20m
264304	BriteStream Blue LED replacement kit	
264506	BriteStream Multicoloured LED Light	20m
264507	BriteStream Multicoloured LED Light replacement kit	
266022	BriteStream Vinyl/Fibreglass Conversion kit	
266020	BriteStream Vinyl lined pool kit	



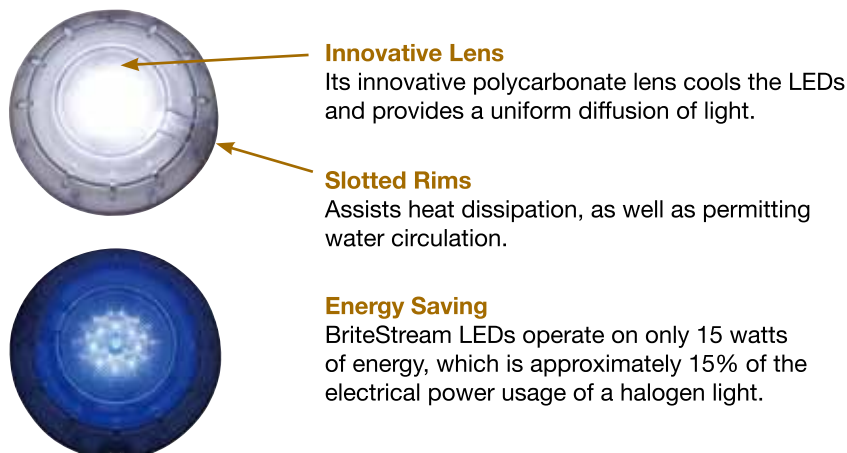
**BriteStream LED Light** utilises energy efficient super bright LED's are capable of delivering 352 lumens of light\* and operates on only 15 watts of energy.

- Energy saving - operates on 15% of the electrical power of a halogen light
- Long life span of over 70,000 hours
- Multicoloured LED light capable of producing a multitude of different colours without the need for coloured lens.
- Universal light adaptor and easy to use retrofit connector

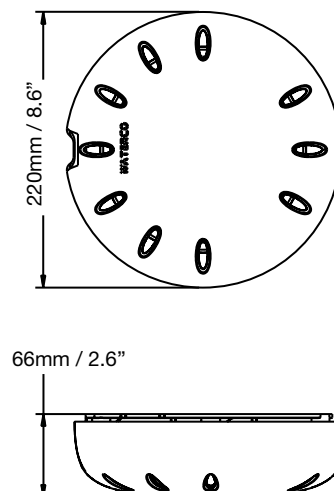
### Technical Specifications

Zonal Distribution	Power Usage	Input Voltage	LED Life
0 to 180 degrees	15 Watt	12V AC	70,000 hours

\*\*BriteStream White LED's deliver 352 lumens of light.



### Dimensions (mm)



### Warranty

BriteStream LED lights are covered by a comprehensive 12 month warranty.



# BRITESTREAM

UNDERWATER LED NICHE LIGHT



**BriteStream LED Niche Light is a flush mounted light which protrudes only 11mm from the pool/spa wall.**

**Its energy efficient super bright LED's are capable of delivering 352 lumens of light\* and operates on only 15 watts of energy.**

- **Energy saving** – operates on 15% of the energy of a halogen pool light
- **Long life** – LED life span of over 70,000 hours
- **Multicoloured LED light capable of producing a multitude of different colours without the need for coloured lens.**
- **Optional Stainless Steel Rim**

\* BriteStream White LED's deliver 352 lumens of light.



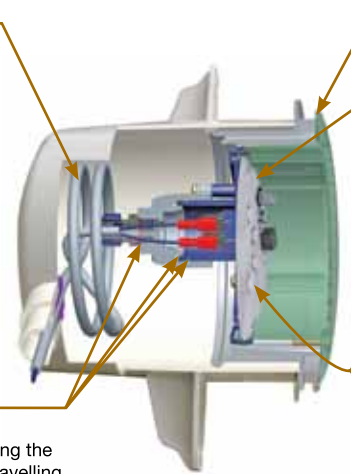
Optional Stainless Steel Rim

**Warranty**

BriteStream LED lights are covered by a comprehensive 12 month warranty.

**BRITESTREAM UNDERWATER LED NICHE LIGHT**

Part Number	Product Description	Nominal Size
264411	BriteStream LED Niche Light w/o Niche Housing	20m
264403	BriteStream LED Niche replacement kit	
264413	BriteStream Blue LED Niche Light w/o Niche Housing	20m
264404	BriteStream Blue LED Niche replacement kit	
264418	BriteStream Multicoloured LED Niche Light w/o Niche Housing	20m
264419	BriteStream Multicoloured LED Niche replacement kit	
264420	BriteStream Niche Housing ONLY	
6501130	Stainless Steel Dress Rim	
26503	Transformer - 120Va 12 Volts	100Va / 2 Volts
265060	Transformer - 18Va 12 Volts	18Va / 12 Volts
26505	Transformer - 120Va 12 Volts - hard wired	100Va / 2 Volts



**Easy Coiling**  
Extra space for easy coiling and storage of the light's power cord

**Energy Saving**  
BriteStream LEDs operate on only 15 watts of energy, which is approximately 15% of the electrical power usage of a halogen light.

**Triple seal connection**  
Three O'rings are in place to provide a triple seal eliminating the possibility of any leakages travelling up the power cord.

**Extra Slim Protrusion**  
Projects only 11mm from the pool/spa wall

**Precision Built**  
BriteStream comprises of a precision built printed circuit board totally enclosed in a waterproof housing.

**Super Bright**  
Super bright energy saving LEDs capable of delivering 352 lumens of light. [White LED light]

**Long Life**  
BriteStream LED has a life span of over 70 000 hours, which is equivalent to over 30 years of illumination. (Based on 6 hours usage per day).

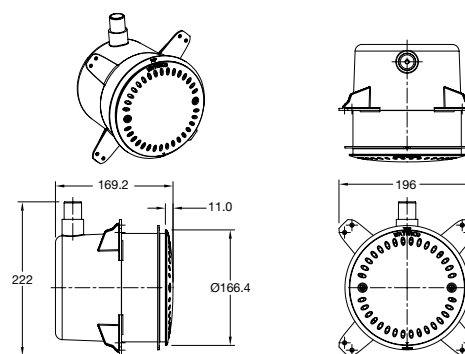
**Built-in Heat Management**  
The LED's heat output is automatically managed by its electronic circuitry.

**Specifications**

Zonal Distribution	Power Usage	Input Voltage	LED Life
0 to 180 degrees	15 Watt	12V AC	70,000 hours

SWITCH SEQ NO	COLOURS & MODES SELECTION
1	WHITE
2	SLOW CHANGING COLOURS - 20 SECOND RAMPING
3	FAST CHANGING COLOURS - 5 SECOND RAMPING
4	BLUE
5	MAGENTA
6	RED
7	YELLOW - GREEN (GOLD)
8	GREEN
9	AQUA

**Dimensions (mm)**



# Spa Blowers

Whisper quiet performance

## SPA BLOWERS

Part Number	Product Description	Nominal Size
282400	Airflo Blower	900W
282401	Whisperair Blower	900W
282421	Whisperair S Blower (c/w airswitch)	900W
282410	Blower Airflo Europe	900W

### Compact Design

The compact design of the Waterco spa blower enables installation in smaller areas and tight corners. The convenient position of the mounting base and air inlet/outlets reduces installation time and cost.

### Thermal Cutout

Waterco spa blowers feature an important safety feature, an integral thermal cutout. This cutout stops the electric motor if it becomes excessively warm. This cutout does not require manual resetting and will automatically restart the motor when it is sufficiently cooled.

- Standard Model – Airflo, Whisperair, Whisperair S
- Inline Model – Whisperair Elite, Whisperair S Elite



- Airswitch Models (Whisperair S and Whisperair S Elite)



- Variable mounts



Enjoy the soothing effects of powerful, invigorating bubbles in your spa without excess equipment noise.

- Whisper quiet operation
- Hi-flow air movement
- Compact design
- Variable mounts

### Please note:

It is recommended that the Inline Models be mounted with the Air Inlet Port facing upwards. This will reduce the number of elbows required for the piping.

## Specifications

Size	Power	Voltage	Weight	Suction	Flow
225 x 280 x 360	900 Watt	240 AC	3.7kg	50mm hpvc	50mm hpvc

## Warranty

Waterco blowers are covered by a comprehensive 12 month warranty.

# Electrochlor Chlorinators

Simple and effective salt water chlorination



• **Electrochlor with Salt Cell**



• **Electrochlor LCD with Salt Cell**

## Electrochlor Salt Cell

The Electrochlor's salt cell consists of a series of titanium electrodes with opposite charges. Electrochlor's clear salt cell housing allows visual inspection of the salt cell plates and enables monitoring of chlorine production.

Salt Levels		
Minimum = 5000 ppm	Optimum = 6000 ppm	Maximum = 6500 ppm

Note: Low salt levels will lead to low chlorine production.

## ELECTROCHLOR CHLORINATORS

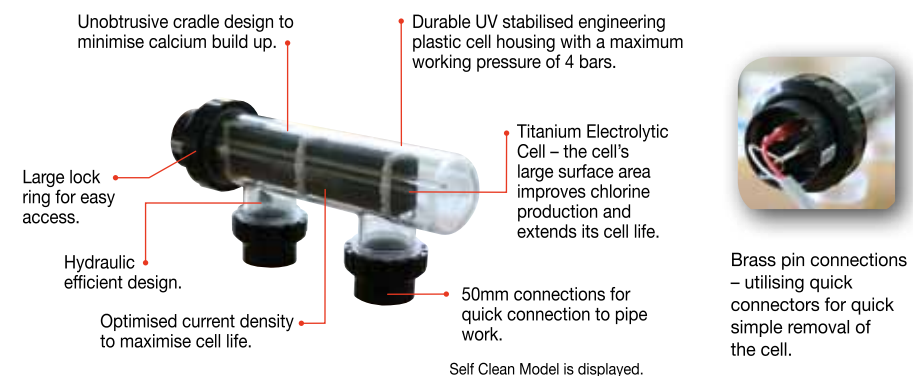
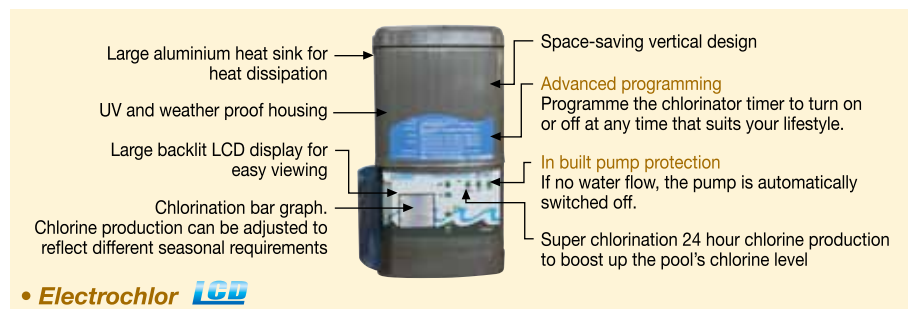
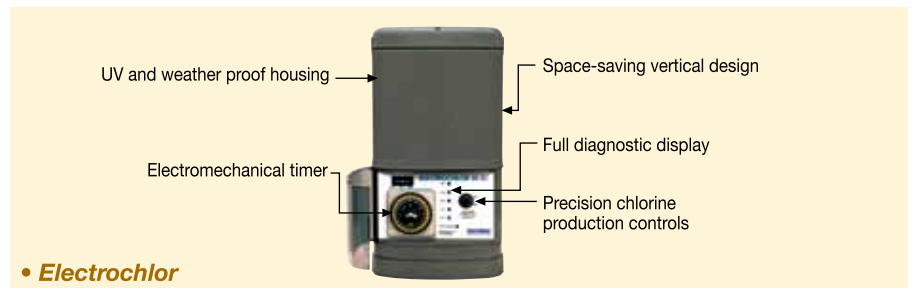
Part Number	Product Description	Nominal Size
251265	Electrochlor 20A	20 Amps
251405	Electrochlor 30A	30 Amps
2514042	Electrochlor 20A - Self Clean	
2514036	Electrochlor 25A - Self Clean	25 Amps
2514037	Electrochlor 30A - Self Clean	30 Amps
2512638	Electrochlor 20A LCD - Self Clean	
2512636	Electrochlor 25A LCD - Self Clean	25 Amps
2514034	Electrochlor 30A LCD - Self Clean	30 Amps
35220	Swimming Pool Salt (NSW/MC/OLD)	20 kg
352202	Swimming Pool Salt (SA)	20 kg
352251	Swimming Pool Salt (WA)	20 kg

## Electrochlor

Electrochlor consists of a Power Pack (to supply power to the cell) and Salt Cell (where the chlorine is produced).

## Electrochlor Power Pack

The Power Pack monitors and controls chlorine production by regulating the amount of electrical energy supplied to the salt cell.



# Electrochlor Chlorinators

Simple and effective salt water chlorination

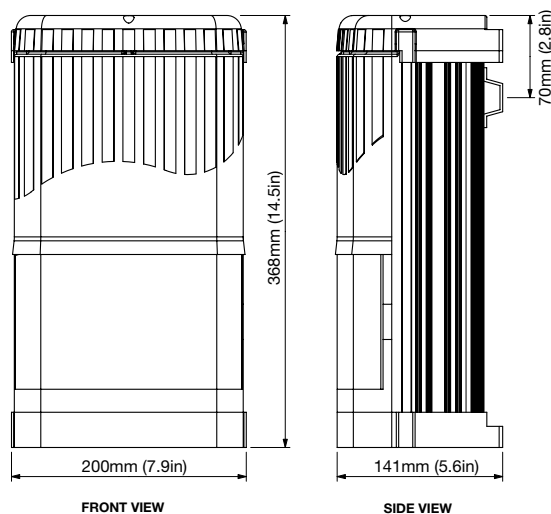
## Technical Specifications

	20A SC	25A / 25A SC	30A / 30A SC
Primary input volts	220-240V VAC 50/60Hz	220-240 VAC 50/60 Hz	220-240 VAC 50/60 Hz
Input power	290W	330W	380W
Max. total current	10A	10A	10A
Pump outlet max.	8A	8A	8A
Cell volts	6-8V DC	6-8V	6-8V
Degr. of protection to AS1939	IP23	IP23	IP23

MODEL	Input Watt kW (max)	Output current DC amp (max)	Chlorine production gram/hour	Max Pool Capacity Climate	
				temperate	tropical
20A	290	20	20	80,000 litres	48,000 litres
25A	330	25	25	100,000 litres	60,000 litres
30A	380	30	30	120,000 litres	72,000 litres

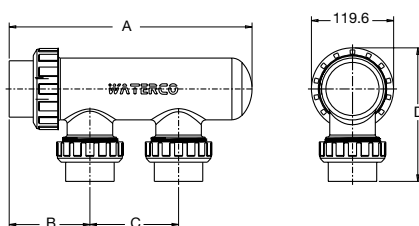
- All units are equipped with a 3 amp self-resetting fuse.
- Pool capacity is based on a stabilised swimming pool with a minimum salt level of 5,000 ppm.

## Electrochlor Power Pack Dimensions



\*Dimensions in inches are approximate conversions

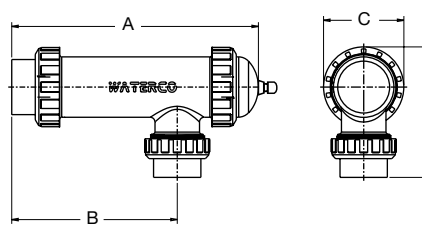
## Electrochlor Self Clean Cell



### Dimensions (mm)

Model	A	B	C	D
30 SC	423.5	136.5	280	188.8
20 SC / 25 SC	353.5	117.5	129	194.3

## Electrochlor Standard Cell



### Dimensions (mm)

Model	A	B	C	D
20A / 30A	385	275	96	163

## Warranty

Electrochlor	5 years (conditional)*
Salt Cell	5 years (2 years full + 3 years pro-rata)
Power Pack	2 years
Commercial Applications	1 year
Labour	1 year

\* Please refer to Waterco's warranty terms and conditionals.

# CHEMFLO

Simple and effective salt water chlorination



### Chlorination and pH control systems

Chemflo chemical controllers precisely monitor and maintain your pool's chlorine and pH levels at all times.



### Chlorine and Acid feeders

The Chemflo Acid/Chlorine feeders safely release preset doses of acid or chlorine into your pool.

## CHEMFLO

Part Number	Product Description	Nominal Size
25850	pH & ORP controller (dual pumps)	
25860	pH controller (single pump)	
25870	ORP controller (single pump)	
25880	Acid or Chlorine feeder (single pump)	
60116362	Chemical drum lid with gland for pump tubing	
60116352	Large peristaltic squeeze tube assembly, 6L/Hr	
60116353	Small peristaltic squeeze tube assembly, 1.8L/Hr	
60116360	Peristaltic pump input & output tubing, 4m	
60121387	pH7.00 Buffer, 200 mL, colour coded	

### Chemflo Installation



### Chlorine and pH Levels (Chemflo default settings)

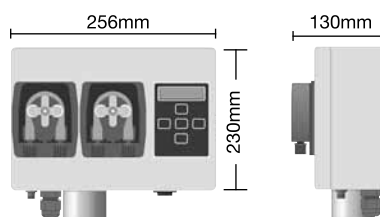
	Minimum	Optimum	Maximum
Chlorine (ORP) mV	680	700	720
pH	7.2	7.4	7.6

Model	Power	Pump Output (max)	Maximum Pool Capacity
pH & ORP controller 25850	Input : 240V AC, 10 Amps Output : 240V AC, 9.5 Amps	Small tube, 1.8L / Hr Large tube, 6.1L / Hr	50,000 - 100,000 Litres (high demand pools only)
pH controller 25860	Input : 240V AC, 10 Amps Output : 240V AC, 9.5 Amps	Small tube, 1.8L / Hr Large tube, 6.1L / Hr	50,000 - 100,000 Litres (high demand pools only)
ORP controller 25870	Input : 240V AC, 10 Amps Output : 240V AC, 9.5 Amps	Small tube, 1.8L / Hr Large tube, 6.1L / Hr	50,000 - 100,000 Litres (high demand pools only)
Acid Chlorine feeder 25880	Input : 240V AC, 0.2 Amps	Small tube, 0.3L / Hr Large tube, 1.0L / Hr Set to 'ON' continuously: Small tube, 1.8L / Hr Large tube, 6.1L / Hr	50,000 - 100,000 Litres (high demand pools only)

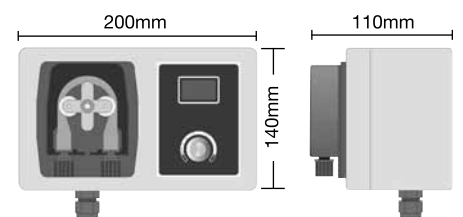
### Warranty

Chemflo	2 years
Controller / Feeder	2 years
Sensor	18 months
Labour	1 year

### • Chemflo Controller Dimensions



### • Chemflo Feeder Dimensions



# Chlorine Feeders

## Pool and spa sanitisation

### CHLORINE FEEDERS

Part Number	Product Description	Nominal Size
25500	Waterking In-line Tablet Feeder - Bromine/Trichlor	
256000	Floating Tablet Dispenser MKII	

#### Waterking Automatic Tablet Feeder

The Waterking Automatic Tablet Feeder is fully adjustable to control the amount of sanitiser that is added to the pool or spa.

By simply filling the container with Giant or Mini Chlorination Tablets or Bromine Sticks, the Waterking will ensure that your chlorine or bromine level is constantly maintained, giving you safe, clear, sparkling water all year round.

*Please note: the Waterking can only chlorinate Swimming Pools under 50,000 litres in size*

#### Floating Tablet Dispenser MKII

Designed for use with slow dissolving chlorine or bromine tablets. Fully adjustable to control the amount of sanitiser that is added to the pool or spa

- High capacity float chamber
- Easy to use threaded cap



*Waterking*



*Floating  
Tablet Dispenser*