

WATERCO

Water, the Liquid of Life



Drinking Water Purifiers

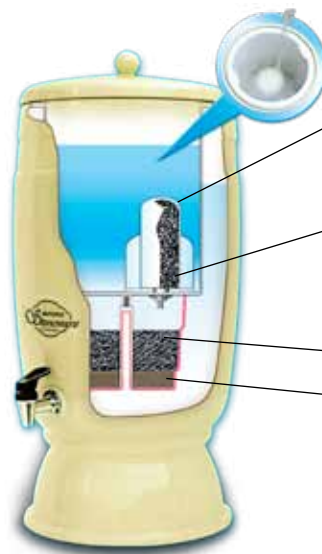
Gravity Water Purifiers

Restoring the fresh natural taste



GRAVITY WATER PURIFIERS

Part Number	Product Description	Nominal Size
36410008	Stoneware Purifier 8 Litre - (Incl. Gravity Ceramic Cartridge)	
36410009	Stoneware Purifier 8 Litre Plus - (Incl. Gravity Ceramic Cartridge & CZR)	



- **Step 1**
Fill the upper reservoir with ordinary tap water.
- **Step 2 - Ceramic Cartridge**
The ceramic layer filters suspended solids and microorganisms. (e.g.E.Coli, Giardia & Cryptosporidium).
- **Step 3 - Activated Carbon**
The filter's core of activated carbon adsorbs offending organic chemicals, tastes, odour and chlorine.
- **Step 4 - CZR Canister (optional)**
 - a) The extra bed of activated carbon extends the replacement interval of the ceramic cartridge.
 - b) The CZR electrochemically removes dissolved metals plus its bacteriostatic properties keep the water in the lower reservoir sanitised.

NOTE : CZR cartridges are only supplied with Stoneware Plus Water Purifiers and available for separate purchase.

Gravity Ceramic Cartridge



Dome Ceramic Cartridge



CZR Cartridge



Premium Ceramic Cartridge

REPLACEMENT FILTER CARTRIDGES (GRAVITY PURIFIERS)

Part Number	Product Description	Nominal Size
3648045	Gravity Ceramic Cartridge (6pk)	
3648075	Dome Ceramic Cartridge (6pk)	
7743809	CZR Cartridge	
3648055	Premium (Doulton) Ceramic Cartridge (6pk)	

Stoneware Water Purifier are able to Significantly Remove :

- Bacteria and Cysts (E.coli, Giardia, Cryptosporidium)
- Suspended Solids (Dirt, Rust and Algae)
- Chlorine (Taste Problems)
- Hydrogen Sulphide (Odour Problems)
- Organic Pesticides (Lindane)
- Dissolved Metals (Lead, Iron)

Waterco Ceramic Cartridges are made of micro-porous ceramic material, internally coated with an antibacterial treatment of Silver Nitrate. Within the Waterco Ceramic Cartridge is a Granular Activated Carbon Core.

Replacement Periods

For optimal performance, replace the ceramic cartridges every 4 months. If used in combination with the CZR canister, extend the replacement period to 12 months. For optimal performance, replace the CZR canister every 12 months.

CAUTION

Do not use on water, which is microbiologically unsafe or of unknown quality.

Counter Top Purifiers

Purifying process ensures clean, healthy, tasty water

COUNTER TOP PURIFIERS

Part Number	Product Description	Nominal Size
3649650	Porta Stream Countertop Filter - (Incl. Ceramic Cartridge)	
3648060	Porta Stream Replacement Ceramic Cartridge	

- No plumbing or tools required
- No electricity required
- Minimal maintenance
- High quality food-grade materials

Porta Stream's Purifying Process

Stage 1

Ceramic 1 micron Filtration

The Ceramic membrane's sub-micron filtration is capable of effectively filtering out micro-organisms, dirt, rust, algae and other suspended solids. The incorporation of silver within the ceramic structure provides enhanced bacteriostatic and self-sterilising properties.

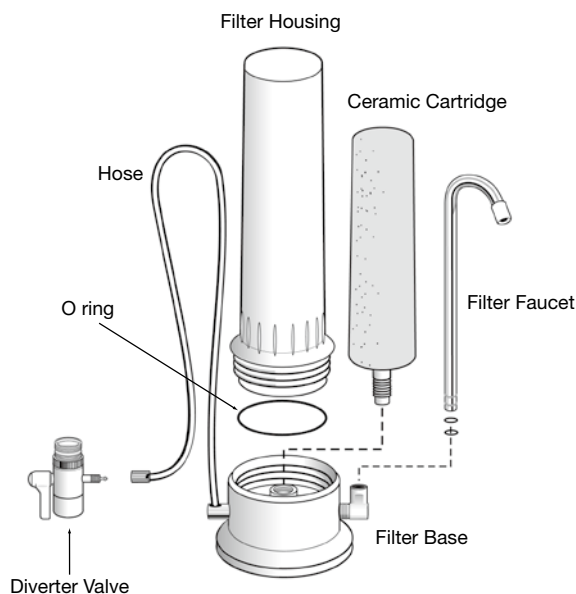


Ceramic Cartridge

Stage 2

Granular Activated Carbon

Granular Activated Carbon's extensive pore structure, enables it to screen every drop of water passing through and efficiently adsorb chlorine, taste, odours and organic chemicals.



Porta Stream is easily connected to your kitchen faucet via a **Do-It-Yourself** diverter valve.

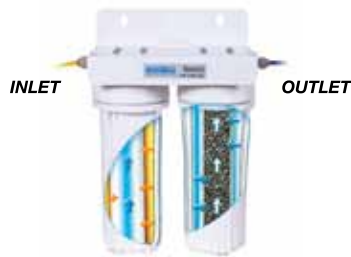
CAUTION

Do not use on water, which is microbiologically unsafe or of unknown quality.



Gemini Undersink Purifiers

Clear healthy water straight from the tap!



CAUTION

Do not use on water, which is microbiologically unsafe or of unknown quality.

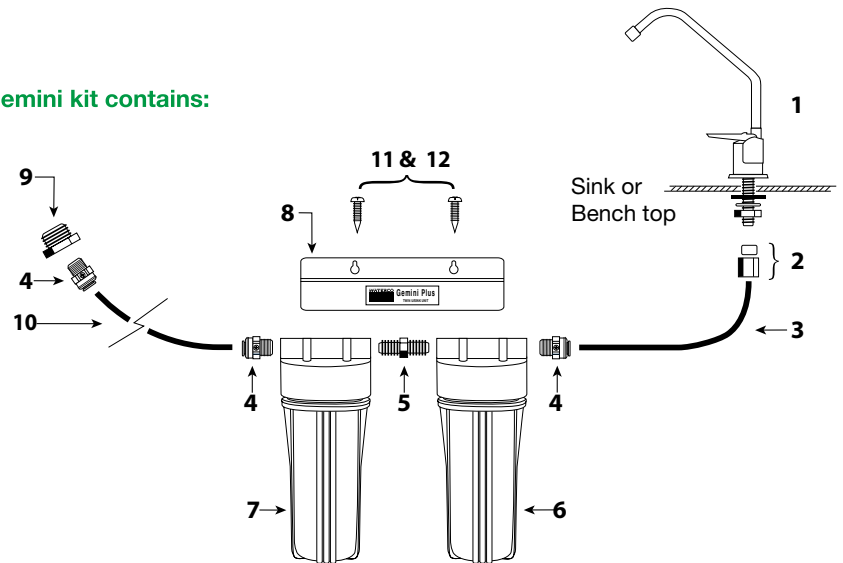


GEMINI UNDERSINK PURIFIERS

Part Number	Product Description	Nominal Size
3649601	Gemini ECB (1 micron) Twin Undersink Unit (5µm pre-filter 3651993 and 1µm carbon block 3651970)	
3649609	Gemini CZR Twin Undersink Unit (5µm pre-filter 3651993 and CZR/GAC cartridge 3651919)	
3649600	Gemini Omni (1 micron) Twin Undersink Unit (5µm pre-filter 3651993 and 1µm fine ceramic filter 3649020)	
36496041	Filterking ECB (1 micron) Undersink Unit (1µm carbon block 3651970)	
36310	Filterking Single Housing - Opaque	

- Minimal maintenance.
- Low running costs.
- Constructed from high quality food grade materials.
- Independently tested filter cartridges.

Gemini kit contains:



* 5, 6, 7, 8 & 11 are factory fitted.

1	Faucet set	7	Filter Housing with Sediment Cartridge
2	1/4" BSP nut with brass olive	8	Mounting bracket
3	6mm blue tube x 1m	9	3/4" x 1/4" BSP brass reducing coupling
4	1/4" BSP John Guest Straight Adaptor [3 sets]	10	6mm yellow tube x 1m
5	1/4" x 1/4" BSP nipple	11	1/4" BSP John Guest Straight [2 supplied]
6	Filter Housing with Purifying Cartridge	12	Wall mounting screws with plugs [2 supplied]

Maintenance Replacement Intervals

Gemini Cartridges	Average Replacement Intervals
Sediment Cartridge	Every 6-12 months
CZR/ GAC Cartridge	Every 12 months

Note: Actual replacement interval is dependent on level of usage and local water quality.

Waterco recommends replacement of both filters every 12 months and installation of the Gemini Undersink Purifiers by a licensed plumber.

Replacement Cartridges

SEDIMENT CARTRIDGES

Part Number	Product Description
3651993	5 Micron Sediment Cartridge Used for super fine filtration of water where small amounts only of sediment is likely in the incoming water and a good quality outfeed water is required for high quality drinking water.
3651992	10 Micron Sediment Cartridge Used for very fine filtration of water where reasonable amounts of sediment is expected in incoming water.
3651991	25 Micron Sediment Cartridge Used for fine filtration or pre-filtration of water where large amounts of larger sediment particles are evident.



PURIFICATION CARTRIDGES

Suit most filter housings, e.g Gemini & Filterking. The purification cartridges are manufactured from food grade materials and are especially recommended for drinking water purification.

Part Number	Product Description
3651971	Extruded Carbon Block Filter (5 microns) Combines advanced Filtration and Adsorption properties in the one cartridge. Significantly removing Unpleasant Taste & Odours and Organic Pesticides.
3651970	Extruded Carbon Block Filter (1 micron) Combines advanced Filtration and Adsorption properties in the one cartridge. Significantly removing Bacteria & Cysts, Unpleasant Taste & Odours and Organic Pesticides.
3651919	Long Life CZR/Carbon Cartridge Combines Adsorption and Redox properties in the one cartridge. Significantly removing Dissolved Metals (e.g iron & lead, Unpleasant Taste & Odours and Organic Pesticides).
3649020	Fine Ceramic Filter (Omni Candle) Combines the filtration properties of ceramics and the adsorption properties of activated carbon. Significantly removing Bacteria & Cysts, Unpleasant Taste & Odours and Organic Chemicals.



3651971
3651970



3651919



3649020

CARTRIDGES FOR DELETED MODELS

Part Number	Product Description
3647470	Pressure Candle



3647470

ACCESSORIES

Part Number	Product Description
36340	Top Mount Bracket - Models 36310 and 36305
3649605	Filter Housing Spanner

