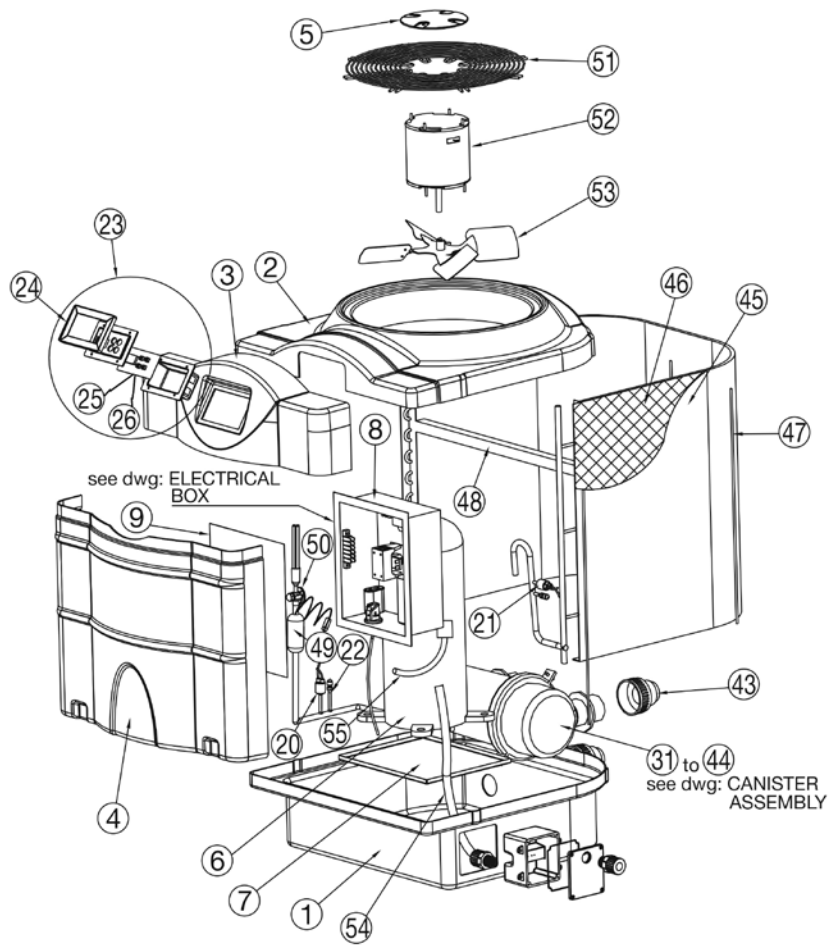


ELECTROHEAT TITANIUM MKII Model 55 single phase

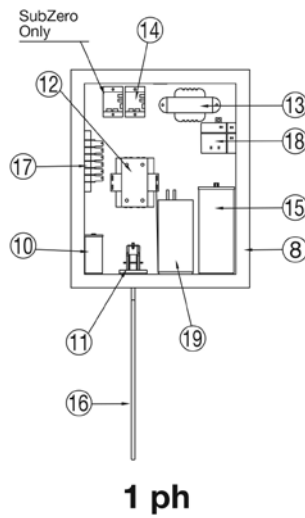
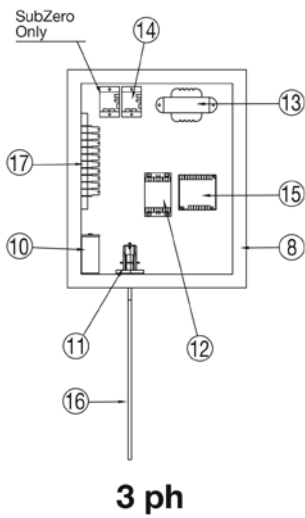
Part Number	Product Description	Diagram Number
COMPRESSOR		
69101006CS	Compressor Scroll 3HP R22 240V-50Hz 1	1
69501123	Run Capacitor 50MF/440VAC	NA
CONDENSATION		
69051312	Heat Exchanger, 16' Titanium	
69201300	Liquid Tight Connector 3/4" (2 required)	5
69201303	Clear Plastic Hose 1/2" ID X 1/4" OD (Pressure Switch) 30" length	7
69201319	Thermostat Well 67.5 mm	9
69201320	Thermostat Well O Ring	
69801410	Canister Clamp	10
69801504	Canister O Ring 7/4"	11
69801505	Water Inlet and Outlet O Ring (2 required)	12
69201312	Plastic Cap 3/4" NPT (2 required)	14
VENTILATION		
69301008	1/8 hp - 900rpm	21
69301110P	Fan Blade 14" Plastic	22
69601128	Fan Grill	36
69201524	Fan Motor Plastic Cap	NA
69701115	Fan Motor Support	NA
EVAPORATION & EXPANSION		
69101437	Capillaries	4
69101345	Filter Dryer	4C
69101358	Expansion Valve TXV 3T	27
SAFETY SYSTEM		
69401006	Water Pressure Switch	32
69801512	Retaining Ring Pressure Switch	NA
69201303	Tube PVC 30"	7
69401002	High Pressure Switch 250 -425 PSI	23
69401003	Low Pressure Switch 25 - 50 PSI	24
69401030	Defrost Sensor	31
69201306	Nppl 1/8" Barb (3 required)	8
CONTROLLER		
69402000	EH Control Assy - All Models	25
69201526	Sun Shade Dig/Control	28
ELECTRIC BOX		
69501008	Contactactor	33
69400001	Transformer 220/12/24/Volts	29
69400002	Fan Relay	30
69401016	24V Time Delay - 3 min	NA
* Parts are subject to availability		

* Please refer to diag on page 106

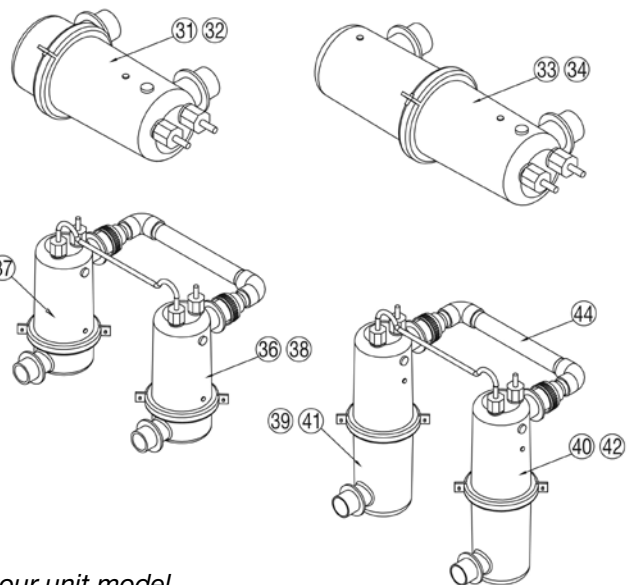
Electroheat Plus MkII & MkIII



Electrical Box
(all models)



Canister Assembly
(all models)



The images are for illustration only and may differ slightly to your unit model.